

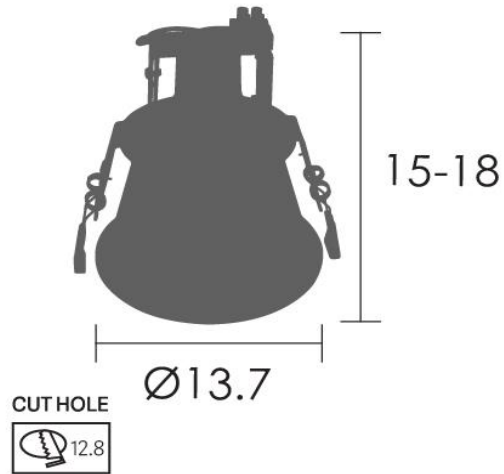
**LIGHTING HOUSE (THONGLOR) CO.,LTD**

387/8-12 Soi Sukhumwit55 Sukhumwit Rd. Klongton-Nua Wattana Bangkok

Thailand, 10110 / Head Office Tel : 02-3922260-9 Fax : 02-3922270 / Showroom Tel : 02-7125970-3 Fax : 02-7125973

Email : Project@lightinghouse.co.th

Project	
Legend Code	



NS

**LIGHTING SPECIFICATION**

Fiting and Luminaries Information

Product Code	Cyclop E27 WH
Description	FIXED RECESS DOWN LIGHT
Color	<b>Black</b>
Body Information	Aluminium construction ,finish in white round trim, inner blackcoating reflector create smooth and uniform looking.
Sizing	DIA 13.7 H MAX 18 CM
Cut Out	12.8 CM
IP Protection	IP20
Lamp Type	1X LED E27

The luminary install on site must comply with the mentioned on the specification.  
Any change must be informed and approved by Lighting Designer.