



MODEL PIS SERIES

Fanless Design Industrial Panel PC



Introduction

PIS Series industrial Panel PC is a powerful and high-performance industrial all-in-one machine product. This Industrial Panel PC series adopts a modular design and provides a variety of sizes from 10.4 inches to 32 inches. It supports square screen and widescreen display to meet the needs of different industries and applications.



Specification

Mother Board Specification

MODEL	PIS Series		
Size	10.4-32.0 inch		
CPU	J1900 i3-4010U i5-4260U i7-4650U	J6412 i3-7100U / 8130U / 10110U i5-7200U / 8250U / 10310U i7-7500U / 8550U / 10710U	N95 / N100 i3-1115G4 / 1215U / 1315U i5-1135G7 / 1235U / 1335U i7-1165G7 / 1255U / 1270P / 1355U
Memory	2*DDR3 RAM Slots Up to 16GB	2*DDR4 RAM Slots Up to 32GB	2*DDR4 RAM Slots Up to 64GB
Storage	1*MSATA SSD Slot 1*SATA SSD Slot	1*M.2 NVME SSD Slot	
Display	1*HDMI: Resolution up to 4096*2106@60Hz 1*VGA: Resolution up to 1920*1200@60Hz		
Expansion	2*Mini PCIE Slots Support 4G and WIFI module	1*M.2 and 1*Mini PCIE Slots Support 4G/5G and WIFI module	2*M.2 Slots Support 4G/5G and WIFI module
Ethernet	2*RTL8211F LAN Chip (10 / 100 / 1000 Mbps, RJ-45 Type)		
USB	4*USB 3.0 (Type-A)		
COM	1*RS-232+1*RS-485 / 232 (DB9 Type) Support optional 6*COM ports (Phoenix Terminal Type)		
Audio	1* Microphone + 1*Speaker		

Note:

[1] The maximum memory capacity and the maximum capacity per strip supported by this motherboard depend on the CPU.

[2] The maximum resolution and frame rate of the display interface output depends on the CPU.

If you need other specifications, please refer to [PIS Series Optional Specifications List].



Screen Specification

MODEL	Screen Size (inch)	Resolution	Brightness	Contrast	Largest Colorful	Touch Screen Type	Transmittance	Touch Life	Response Time	Touch Hardness	Protection
I104-PIS	10.4 inch TFT LED (4:3)	1024 x 768	350nits	800:1	16M	Capacitive	More than 95%	50M times	<5ms	6 Mohs	Front Panel IP65 Water Proof
						Resistive		35M times	<5ms	6 Mohs	
I121-PIS	12.1 inch TFT LED (4:3)	1024 x 768				Capacitive		50M times	<5ms	6 Mohs	
						Resistive		35M times	<5ms	6 Mohs	
I133-PIS	13.3 inch TFT LED (16:9)	1920 x 1080				Capacitive		50M times	<5ms	6 Mohs	
						Resistive		35M times	<5ms	6 Mohs	
I150-PIS	15.0 inch TFT LED (4:3)	1024 x 768				Capacitive		50M times	<5ms	6 Mohs	
						Resistive		35M times	<5ms	6 Mohs	
I156-PIS	15.6 inch TFT LED (16:9)	1920 x 1080				Capacitive		50M times	<5ms	6 Mohs	
						Resistive		35M times	<5ms	6 Mohs	
I170-PIS	17.0 inch TFT LED (4:3)	1280 x 1024				Capacitive		50M times	<5ms	6 Mohs	
						Resistive		35M times	<5ms	6 Mohs	
I173-PIS	17.3 inch TFT LED (16:9)	1920 x 1080				Capacitive		50M times	<5ms	6 Mohs	
I185-PIS	18.5 inch TFT LED (16:9)	1366 x 768				Capacitive		50M times	<5ms	6 Mohs	
I190-PIS	19.0 inch TFT LED (4:3)	1280 x 1024				Capacitive		50M times	<5ms	6 Mohs	
						Resistive		35M times	<5ms	6 Mohs	
I215-PIS	21.5 inch TFT LED (16:9)	1920 x 1080				Capacitive		50M times	<5ms	6 Mohs	
						Resistive		35M times	<5ms	6 Mohs	
I238-PIS	23.8 inch TFT LED (16:9)	1920 x 1080				Capacitive		50M times	<5ms	6 Mohs	
I270-PIS	27.0 inch TFT LED (16:9)	1920 x 1080				Capacitive		50M times	<5ms	6 Mohs	
I320-PIS	32.0 inch TFT LED (16:9)	1920 x 1080	Capacitive	50M times	<5ms	6 Mohs					



Device Specification

MODEL	Power Input			Installation				Size
	DC 12V (DC 9-36V)	Support Auto Start	1*2.5mm circle type DC	Desktop	Embedded	Wall Mount	Rack Mount	
I104-PIS	DC 12V (DC 9-36V)	✓	✓	✓	✓	✓	✗	271.5mm*218mm*56mm
I121-PIS	DC 12V (DC 9-36V)	✓	✓	✓	✓	✓	✗	298.3mm*238.3mm*57mm
I133-PIS	DC 12V (DC 9-36V)	✓	✓	✓	✓	✓	✗	343.5mm*214mm*57mm
I150-PIS	DC 12V (DC 9-36V)	✓	✓	✓	✓	✓	✗	370mm*290mm*57mm
I156-PIS	DC 12V (DC 9-36V)	✓	✓	✓	✓	✓	✗	390mm*247.6mm*57mm
I170-PIS	DC 12V (DC 9-36V)	✓	✓	✓	✓	✓	✓	400mm*333mm*57mm
I173-PIS	DC 12V (DC 9-36V)	✓	✓	✓	✓	✓	✗	435mm*265.5mm*60mm
I185-PIS	DC 12V (DC 9-36V)	✓	✓	✓	✓	✓	✗	463.5mm*287.5mm*57mm
I190-PIS	DC 12V (DC 9-36V)	✓	✓	✓	✓	✓	✓	435.5mm*360.5mm*57mm
I215-PIS	DC 12V (DC 9-36V)	✓	✓	✓	✓	✓	✗	531mm*327mm*57mm
I238-PIS	DC 12V (DC 9-36V)	✓	✓	✓	✓	✓	✗	584mm*355.5mm*57mm
I270-PIS	DC 12V (DC 9-36V)	✓	✓	✓	✗	✓	✗	652mm*390mm*64.8mm
I320-PIS	DC 12V (DC 9-36V)	✓	✓	✓	✗	✓	✗	749.2mm*446.7mm*64.8mm

Additional Device Specifications :

- [1] Working Temperature : -20°C - 70°C, Support 24/7 Working
- [2] Storage Temperature : -30°C - 70°C
- [3] Humidity : 90% (20±50°C)
- [4] Structure : Fully Enclosed Aluminum Alloy Material
- [5] Heat Dissipation : Fanless Design, Conduction Heat Dissipation
- [6] OS : Windows and Linux



Optional Specification

Screen	Brightness	Optional 1000 nits LED screen
		Optional brightness auto adjustment function
	Anti-Glare	Optional
	Camera	Optional 200w or 500w camera (Built-in front panel)
	Full Lamination	Optional

Ordering Information

MODEL	PIS Series						
Size	10.4-32.0 inch						
CPU	J1900	4th	J6412	7th / 8th	10th	N95 / N100	11th / 12th / 13th
LAN	2						
USB	4						
COM	1*RS-232/485 + 1*RS-232						
RAM	1*DDR 3 Up to 8GB	2*DDR 3 Up to 16GB	2*DDR 4 Up to 32GB	2*DDR 4 Up to 32GB	2*DDR 4 Up to 64GB	1*DDR 4 Up to 16GB	2*DDR 4 Up to 64GB
SSD	1*MSATA + 1*SATA			1*M.2 NVME + 1*SATA			
Expansion	1*Mini PCIE	2*Mini PCIE		1*Mini PCIE 1*M.2		2*M.2	
Power	DC 12V						

Package

Adapter	Size : 10.4-27.0 inch	1*12V 5A adapter
	Size : 32.0 inch	1*12V 7A adapter
Power Cable	1*Power Cable	
Mount Clamp	4*Mount Clamp	



CPU Information

CPU	Core	Threads	Frequency	Cache	Graphics
N95	4	4	3.40GHz	6 MB	UHD Graphics
N100	4	4	3.40GHz	6 MB	UHD Graphics
J1900	4	4	2.00-2.42GHz	2MB	HD Graphics
J6412	4	4	2.00-2.60GHz	1.5 MB	UHD Graphics
i3-4010U	2	4	1.70GHz	3 MB	HD Graphics 4400
i5-4260U	2	4	1.40-2.70GHz	3 MB	HD Graphics 5000
i7-4650U	2	4	1.70-3.30GHz	4 MB	HD Graphics 5000
i3-7100U	2	4	2.40GHz	3 MB	HD Graphics 620
i5-7200U	2	4	2.50-3.10GHz	3 MB	HD Graphics 620
i7-7500U	2	4	2.70-3.50GHz	4 MB	HD Graphics 620
i3-8130U	2	4	2.20-3.40GHz	4 MB	UHD Graphics 620
i5-8250U	4	8	1.60-3.40GHz	6 MB	UHD Graphics 620
i7-8550U	4	8	1.80-4.00GHz	8 MB	UHD Graphics 620
i3-10110U	2	4	2.10-4.10GHz	4 MB	UHD Graphics
i5-10310U	4	8	1.70-4.40GHz	6 MB	UHD Graphics
i7-10710U	6	12	1.10-4.70GHz	12 MB	UHD Graphics
i3-1115G4	2	4	3.00-4.10GHz	6 MB	UHD Graphics
i5-1135G7	4	8	2.40-4.20GHz	8 MB	Iris Xe Graphics
i7-1165G7	4	8	2.80-4.70GHz	12 MB	Iris Xe Graphics
i3-1215U	6	8	1.20-4.40GHz	10 MB	UHD Graphics
i5-1235U	10	12	1.30-4.40GHz	12 MB	Iris Xe Graphics
i7-1255U	10	12	1.70-4.70GHz	12 MB	Iris Xe Graphics
i7-1270P	12	16	2.20-4.80GHz	18 MB	Iris Xe Graphics



CPU	Core	Threads	Frequency	Cache	Graphics
i3-1315U	6	8	1.20-4.50GHz	10 MB	UHD Graphics
i5-1335U	10	12	1.30-4.60GHz	12 MB	Iris Xe Graphics
i7-1355U	10	12	1.70-5.00GHz	12 MB	Iris Xe Graphics

System Information

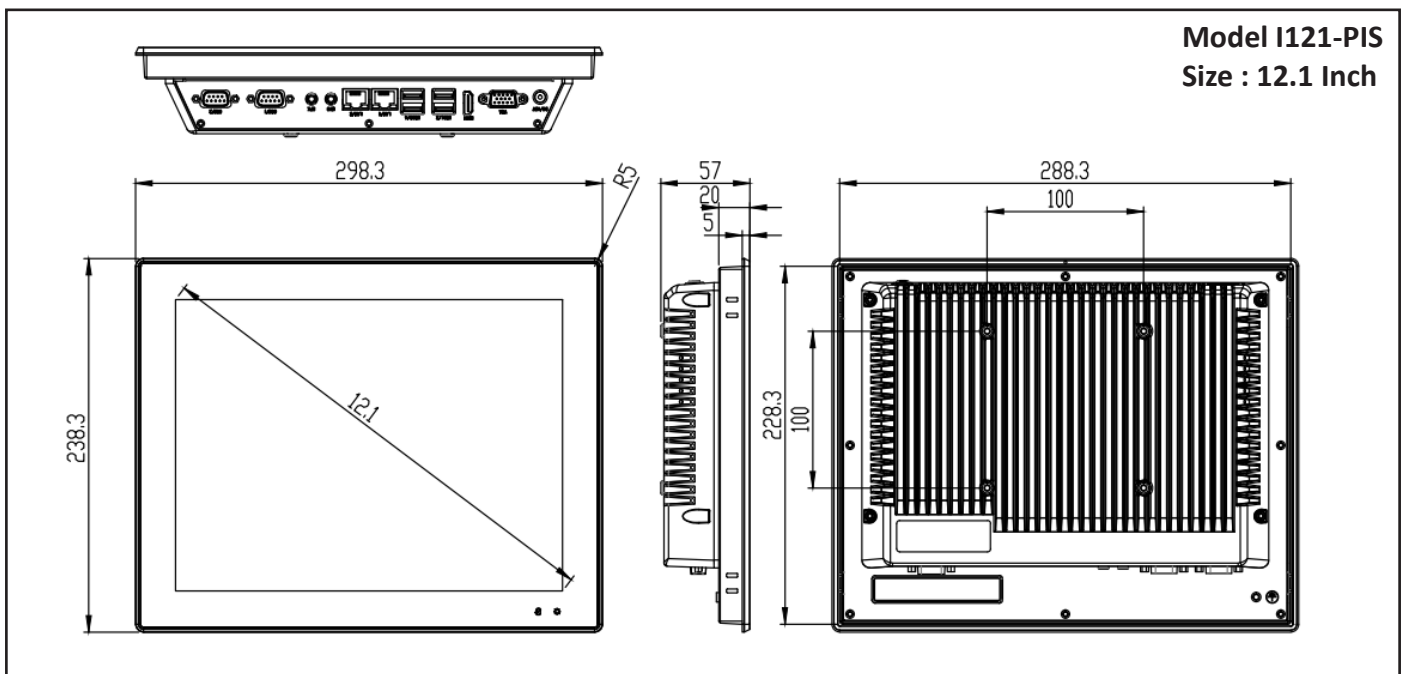
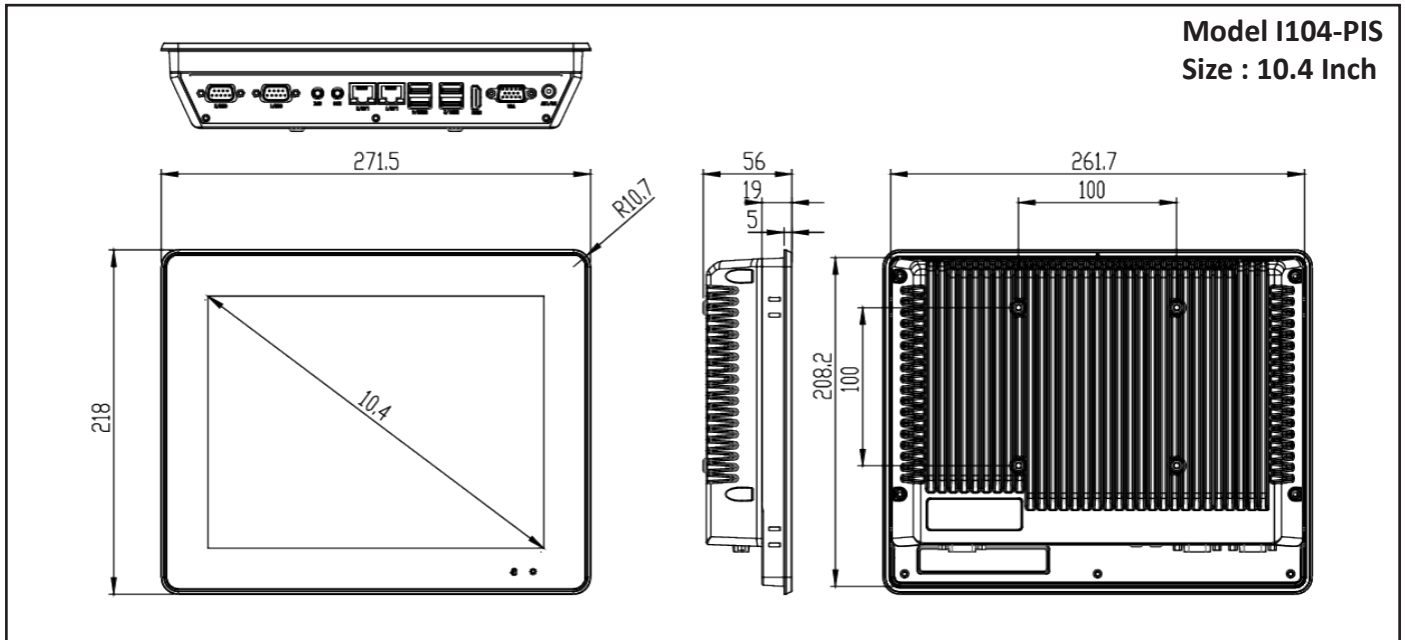
CPU	Specification
J1900	Windows 7 / 10 and Linux
4th / 7th	
J6412 / N95 / N100	Windows 10 / 11 and Linux
8th / 10th / 11th / 12th / 13th	

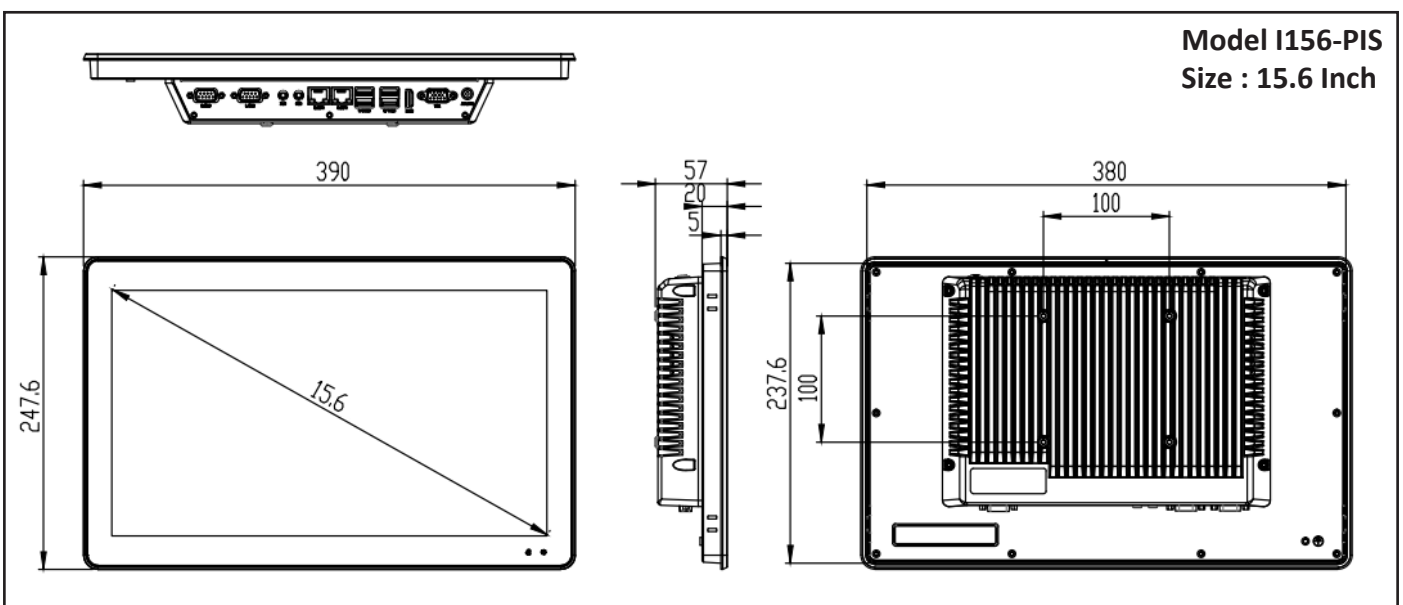
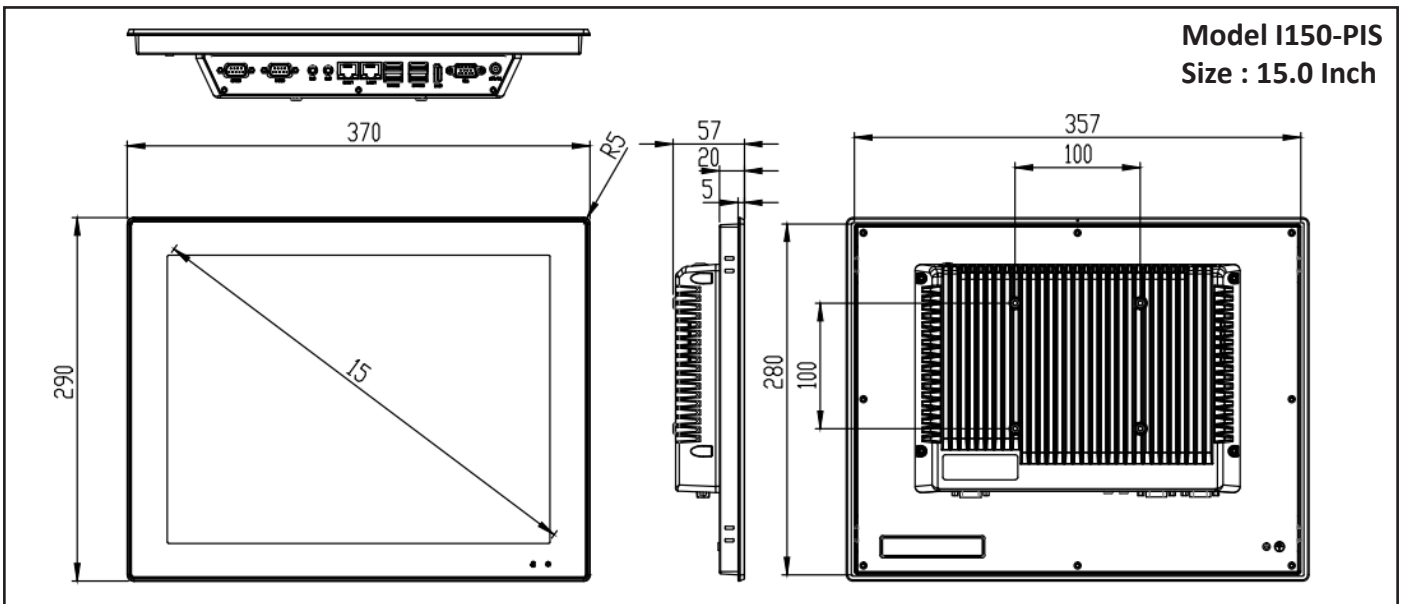
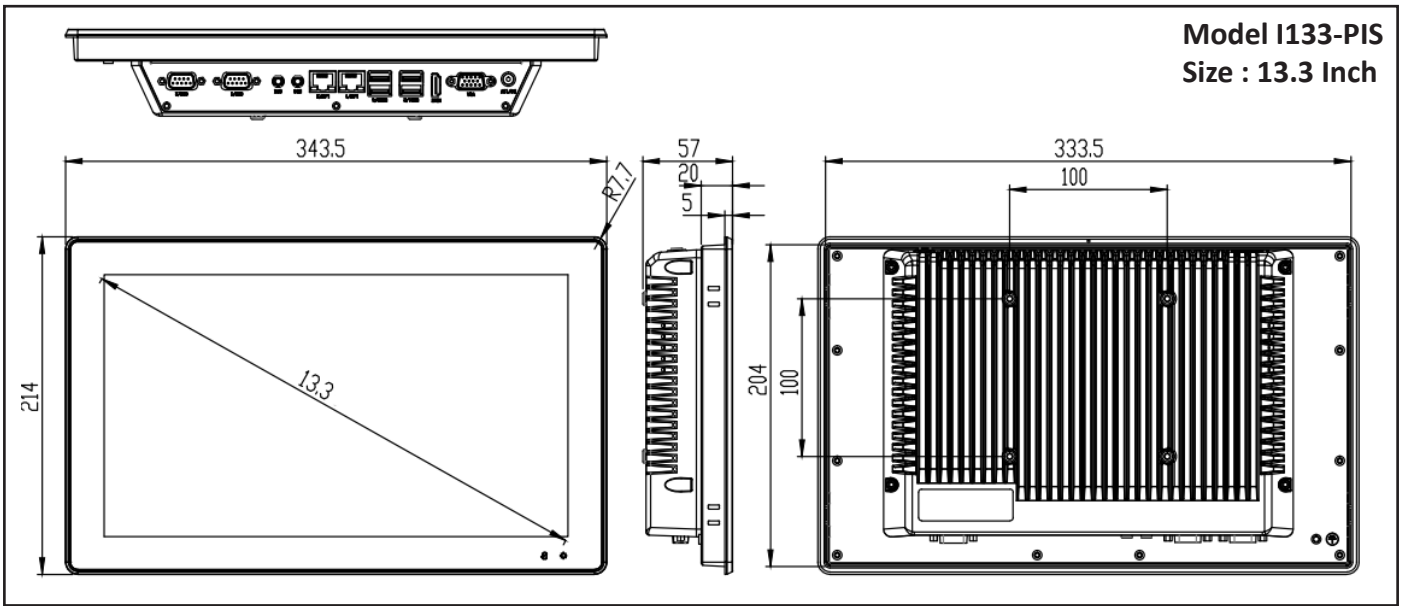
Fittings Information

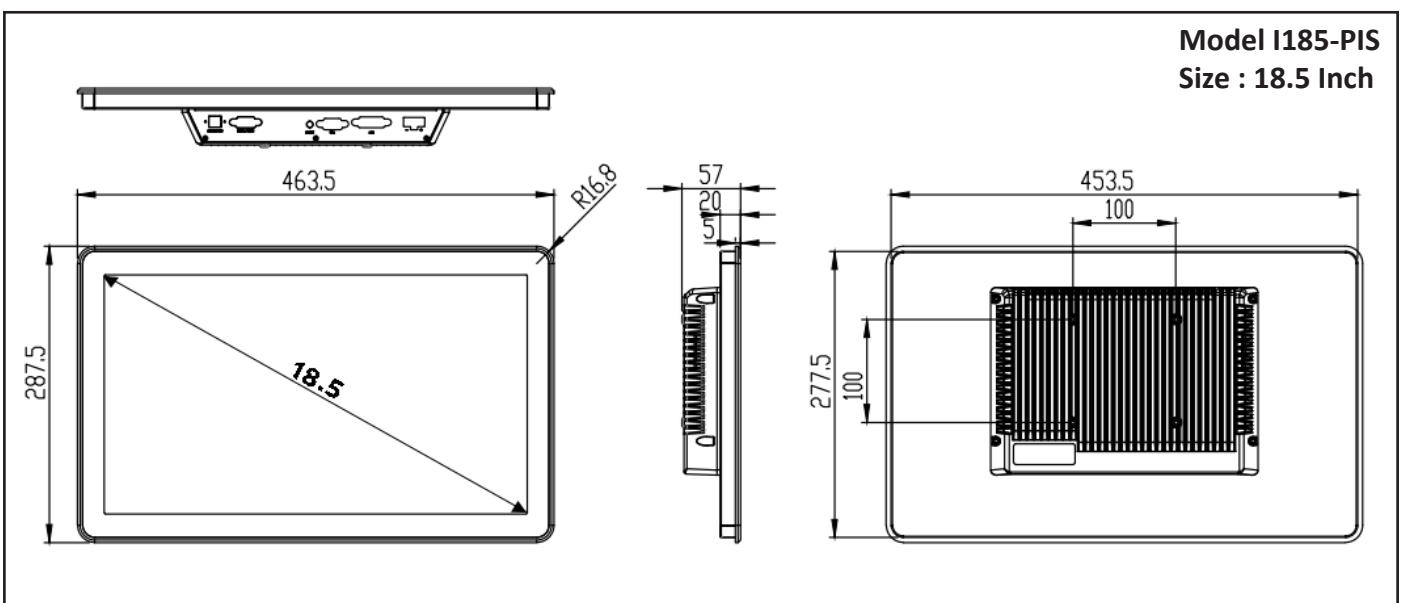
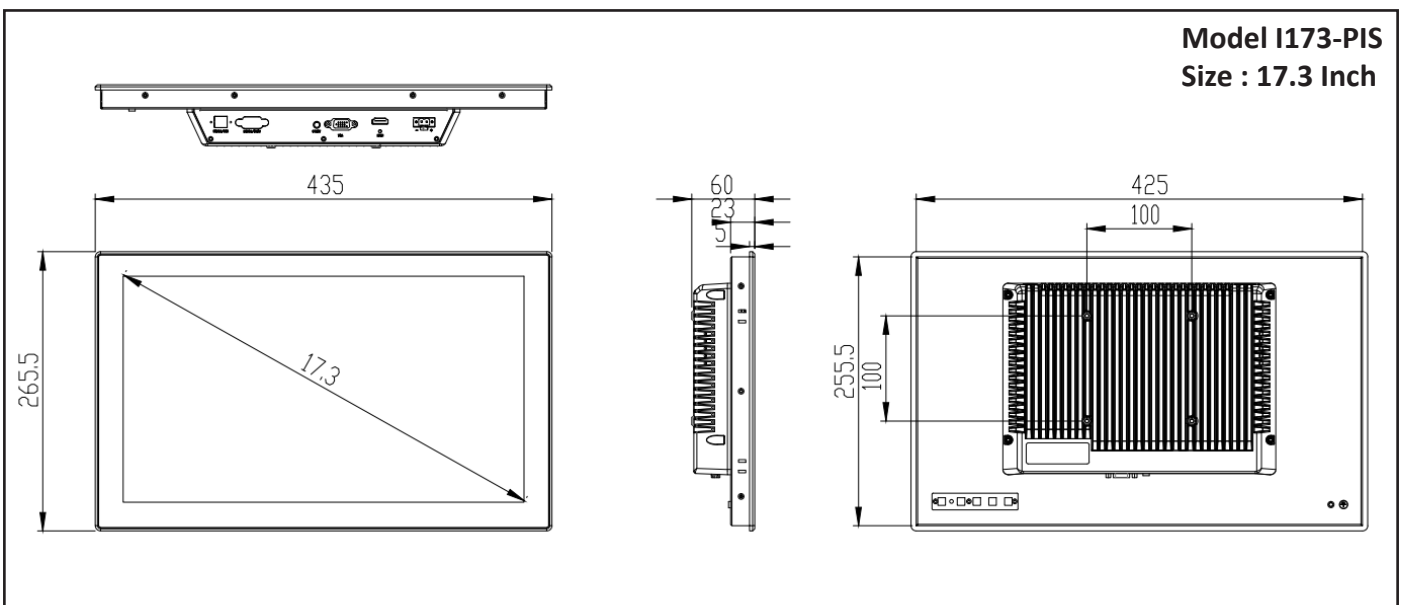
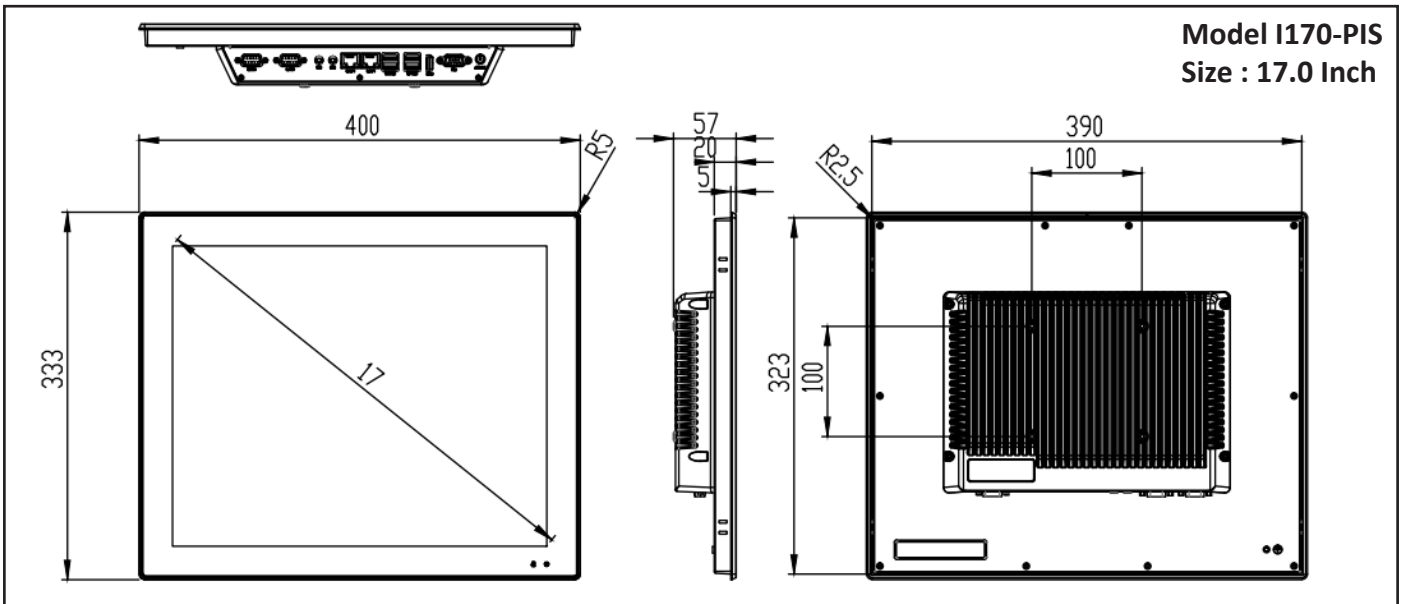
RAM	DDR3	4GB / 8GB
	DDR4	4GB / 8GB / 16GB / 32GB
Storage	M.2 NVME	128GB / 256GB / 512GB / 1TB / 2TB / 4TB
	MSATA	64GB / 128GB / 256GB / 512GB / 1TB
	SATA	120GB / 128GB / 240GB / 256GB / 480GB / 512GB / 960GB / 1TB / 2TB / 4TB
GSM Module	4G	4G+GPS function
	5G	5G+GPS function
WIFI Module	7260AC / AX210	
Wide Voltage Power Module	DC 9-36V	

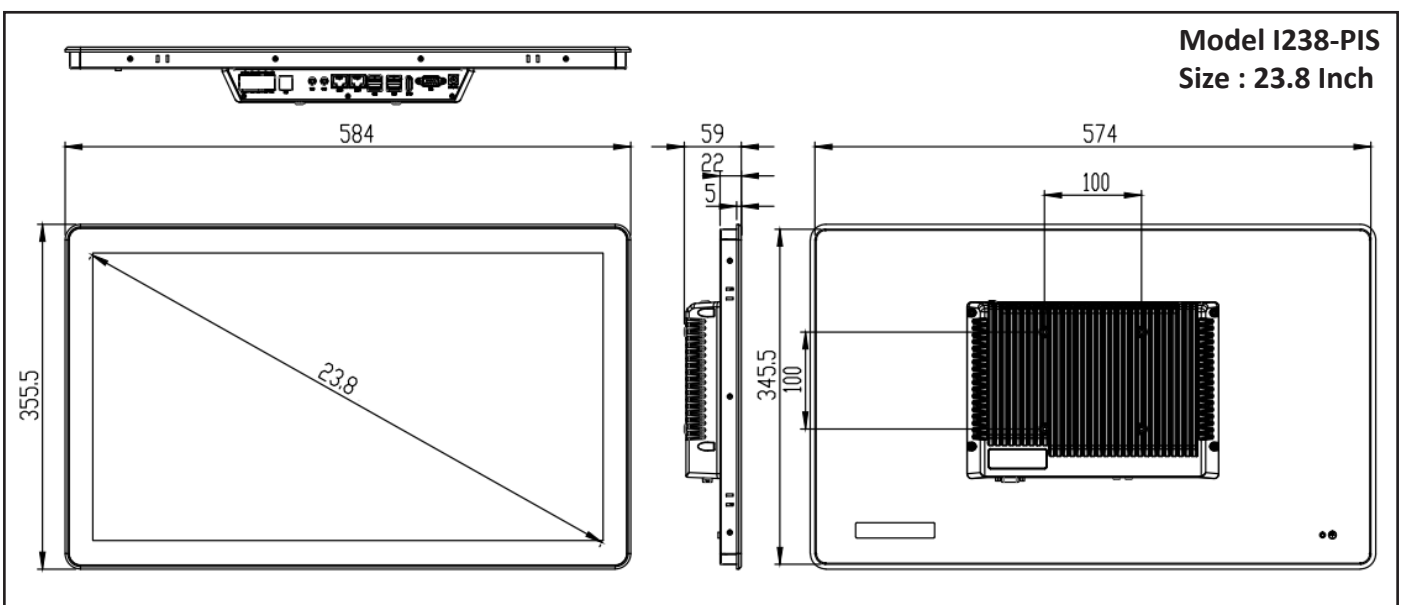
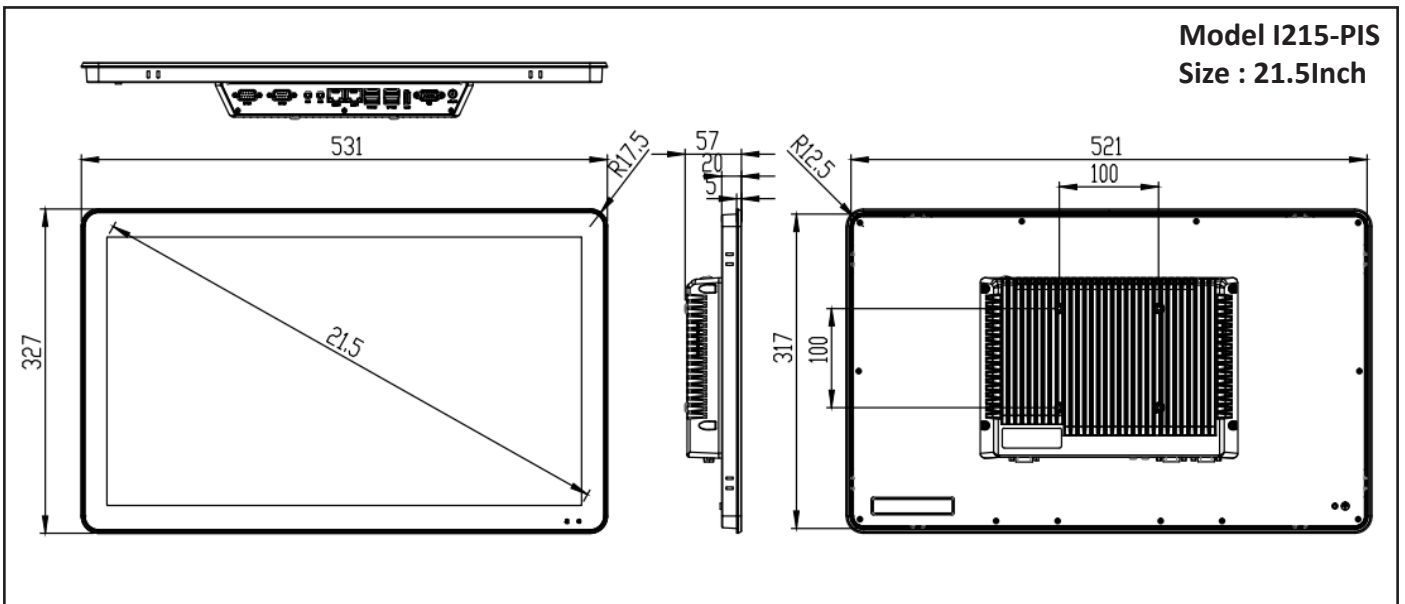
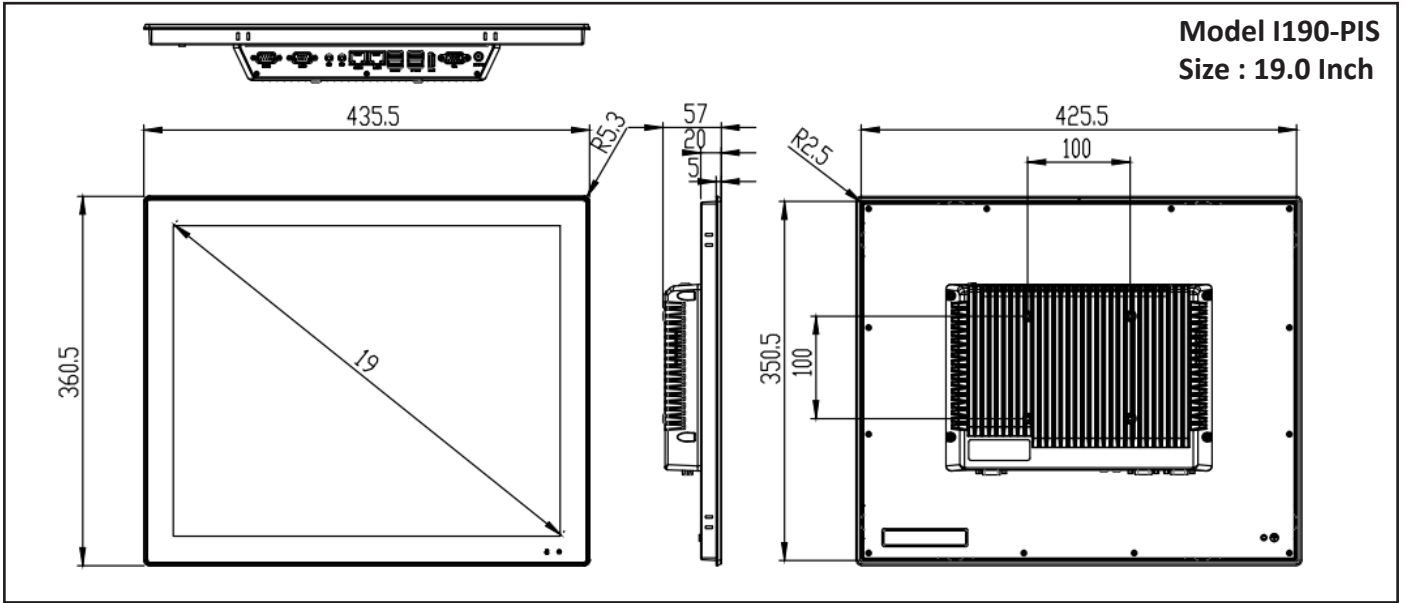


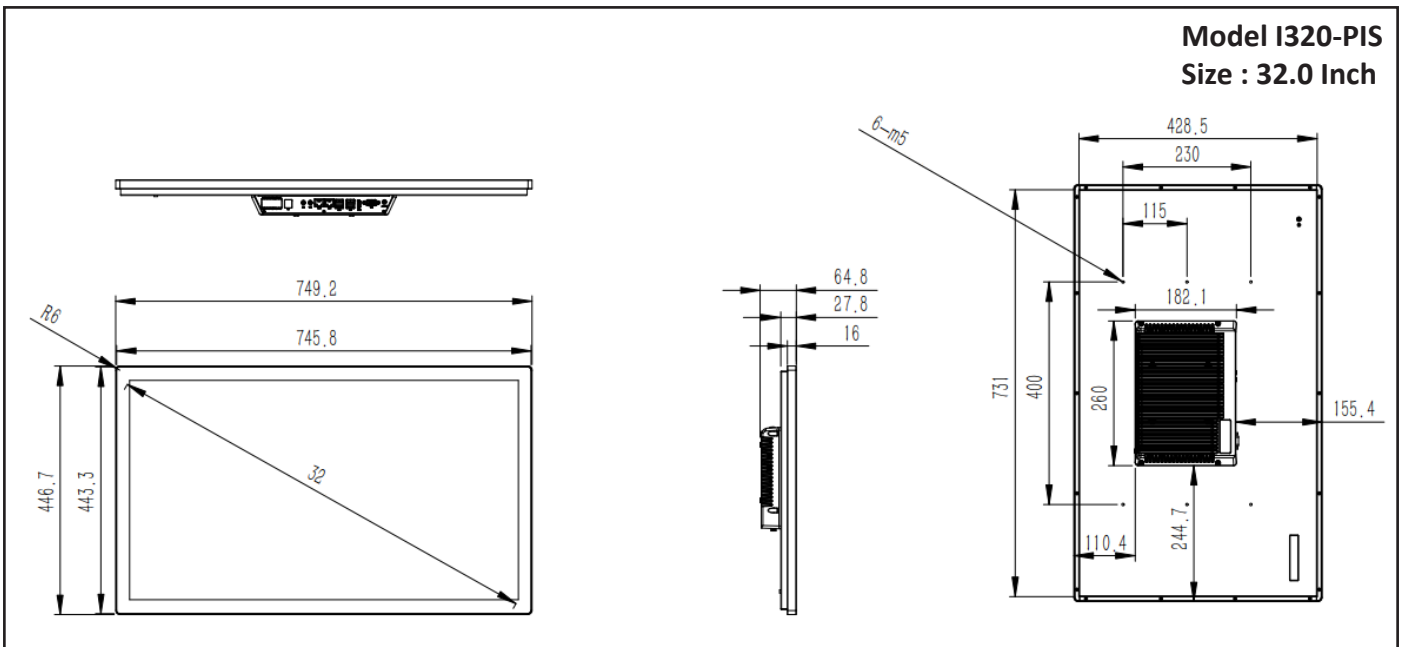
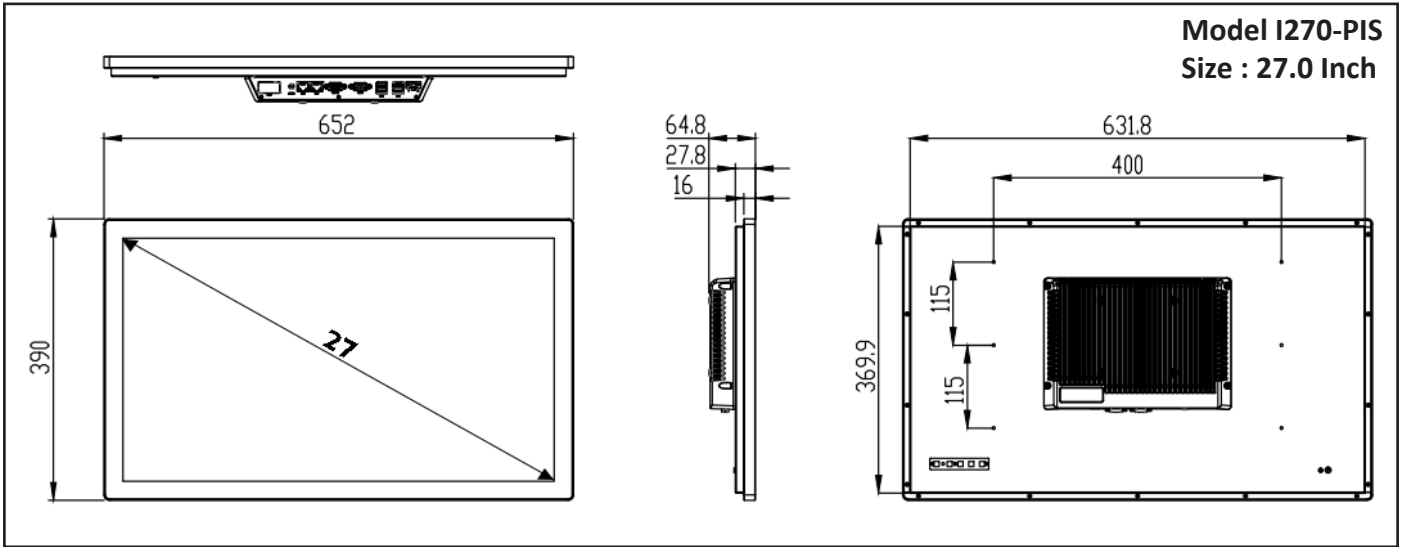
Dimensions











Applications



Industrial Factory



Industrial Robot



Self-Service Systems

