

## ➤ Bevel Valve

# RJQ22

There is automatic adjustable seal gland bush between overflow outlet and slide block.

The bevel structure have big flow rate, no water hammer, no noise and credible seal performance.



### Ordering Code

|             |                       |                      |   |   |  |   |  |
|-------------|-----------------------|----------------------|---|---|--|---|--|
| <b>R</b>    | <b>JQ</b>             | <b>22</b>            | <input type="checkbox"/>  | <input type="checkbox"/>                          | <input type="checkbox"/>   | <input type="checkbox"/>                    | <input type="checkbox"/>   |
| RFS product | Angle seat valve code | Two way two position | Actuator material<br><b>S</b> stainless steel<br><b>Blank</b> aluminium<br><b>P</b> Plastic | actuator size<br>Φ40<br>Φ50<br>Φ63<br>Φ80<br>Φ100 | Connection size<br>10<br>15<br>20<br>25<br>32<br>40<br>50<br>65<br>80<br>100 | H welded type,<br>W Waterhammer<br>F flange | <b>S</b> single acting type<br><b>D</b> double acting type<br><b>K</b> normally open |

Remark: Normally open: flow comes under piston seal, against arrow on body.

### Design character

- Can see the position indication.
- Easy to install.
- Actuator adopt low abrasion piston structure, big capacity and low wastage.
- There is lubricative for inner parts, no need maintenance.
- The actuator material have stainless steel and aluminium.
- Long life for the piston pole, PTFE seal, avoid the reif come in.
- No water hammer effect, when the liquid flowed from valve underside, the water hammer will be absorbed.

## Angle seat valve



### Specification

Orifice: DN15-DN65

Thread: G1/8" -G2 1/2"

Valve material: stainless steel 316

Actuator material: Aluminium, stainless steel,plastic

Valve core seal: PTFE

Valve stem seal: PTFE / FKM

Applicable medium: Water,liquid,neutral gas,oil  
water steam,weak acid or weak  
alkalis Solution.

Medium temperature: -10°C ~180°C

Environment temperature: -10°C ~60°C

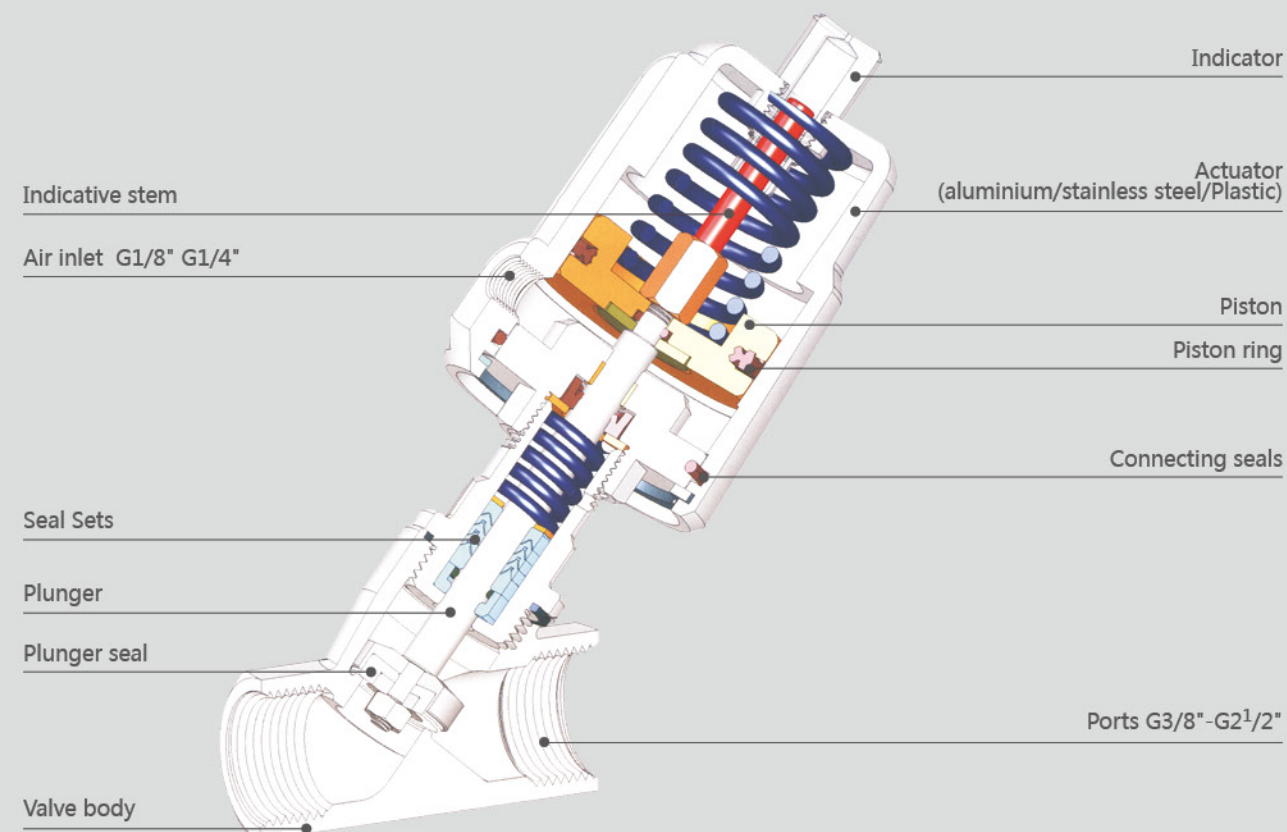
Viscosity: max. 600 mm<sup>2</sup> / S

Installation: any position

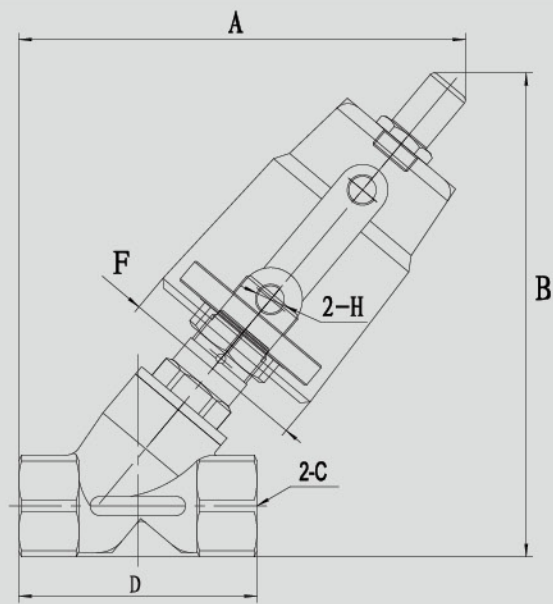
Controlling medium: air or neutral gas

Controlling pressure range: 0.3~1Mpa

Liquid working pressure: 0~1.6Mpa

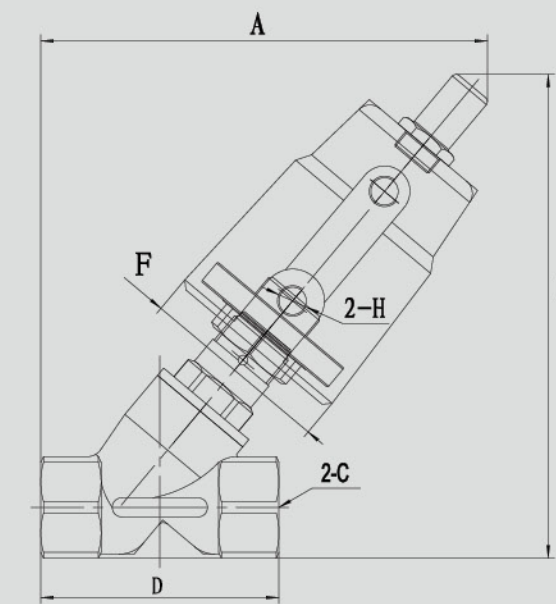


## Angle seat valve



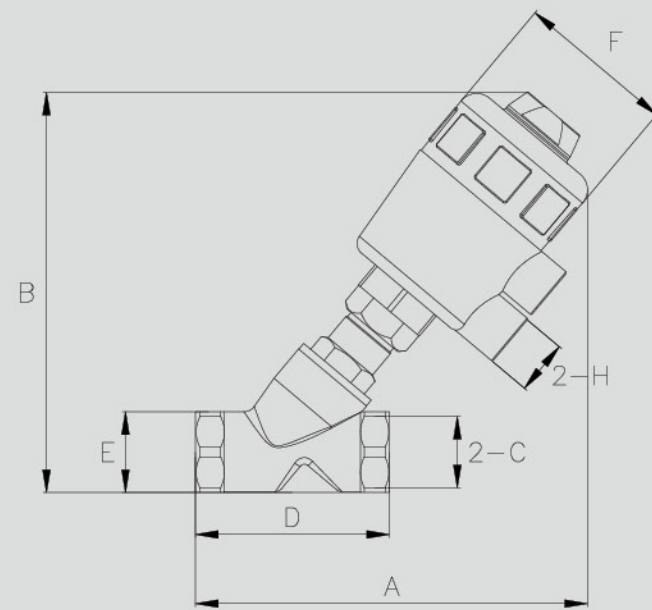
| Model        | Actuator size | A     | B     | C       | D    | E  | F    | H     |
|--------------|---------------|-------|-------|---------|------|----|------|-------|
| RJQ22S40-10  | 40            | 127.5 | 136   | G3/8"   | 69   | 27 | 50   | G1/8" |
| RJQ22S40-15  | 40            | 127.5 | 136   | G1/2"   | 69   | 27 | 50   | G1/8" |
| RJQ22S50-10  | 50            | 140   | 150   | G3/8"   | 69   | 27 | 60.5 | G1/8" |
| RJQ22S50-15  | 50            | 140   | 150   | G1/2"   | 69   | 27 | 60.5 | G1/8" |
| RJQ22S50-20  | 50            | 143   | 155   | G3/4"   | 75.5 | 32 | 60.5 | G1/8" |
| RJQ22S50-25  | 50            | 163.5 | 176   | G1      | 90   | 39 | 60.5 | G1/8" |
| RJQ22S63-25  | 63            | 174.5 | 189.5 | G1      | 90   | 39 | 77   | G1/8" |
| RJQ22S63-32  | 63            | 190.5 | 207.5 | G1-1/4" | 117  | 50 | 77   | G1/8" |
| RJQ22S63-40  | 63            | 190.5 | 207.5 | G1-1/2" | 117  | 55 | 77   | G1/8" |
| RJQ22S63-50  | 63            | 219.5 | 232.5 | G2"     | 145  | 70 | 77   | G1/4" |
| RJQ22S80-50  | 80            | 233   | 253   | G2"     | 145  | 70 | 98   | G1/4" |
| RJQ22S80-65  | 80            | 273   | 290   | G2-1/2" | 170  | 85 | 116  | G1/4" |
| RJQ22S100-65 | 100           | 270   | 290.5 | G2-1/2" | 170  | 85 | 116  | G1/4" |

## Angle seat valve



| Model       | Actuator size | A     | B     | C      | D    | E  | F    | H    |
|-------------|---------------|-------|-------|--------|------|----|------|------|
| RJQ2250-10  | 50            | 140   | 150   | G3/8   | 69   | 27 | 60.5 | G1/8 |
| RJQ2250-15  | 50            | 140   | 150   | G1/2   | 69   | 27 | 60.5 | G1/8 |
| RJQ2250-20  | 50            | 143   | 155   | G3/4   | 75.5 | 32 | 60.5 | G1/8 |
| RJQ2250-25  | 50            | 163.5 | 176   | G1     | 90   | 39 | 60.5 | G1/8 |
| RJQ2263-25  | 63            | 174.5 | 189.5 | G1     | 90   | 39 | 77   | G1/8 |
| RJQ2263-32  | 63            | 190.5 | 207.5 | G1-1/4 | 117  | 50 | 77   | G1/8 |
| RJQ2263-40  | 63            | 190.5 | 207.5 | G1-1/2 | 117  | 55 | 77   | G1/8 |
| RJQ2263-50  | 63            | 219.5 | 232.5 | G2     | 137  | 70 | 77   | G1/4 |
| RJQ2280-50  | 80            | 233   | 253   | G2     | 137  | 70 | 98   | G1/4 |
| RJQ22100-65 | 100           | 270   | 290.5 | G2-1/2 | 170  | 85 | 116  | G1/4 |

## Angle seat valve



| Model       | Actuator size | A   | B   | C      | D   | E  | F   | H    |
|-------------|---------------|-----|-----|--------|-----|----|-----|------|
| RJQ22P50-10 | 50            | 148 | 158 | G3/8   | 69  | 27 | 63  | G1/4 |
| RJQ22P50-15 | 50            | 148 | 158 | G1/2   | 69  | 27 | 63  | G1/4 |
| RJQ22P50-20 | 50            | 151 | 162 | G3/8   | 75  | 32 | 63  | G1/4 |
| RJQ22P50-25 | 50            | 173 | 184 | G1     | 90  | 39 | 63  | G1/4 |
| RJQ22P63-25 | 63            | 198 | 210 | G1     | 90  | 39 | 79  | G1/4 |
| RJQ22P63-32 | 63            | 215 | 229 | G1-1/4 | 117 | 55 | 79  | G1/4 |
| RJQ22P63-40 | 63            | 215 | 229 | G1-1/2 | 117 | 55 | 79  | G1/4 |
| RJQ22P63-50 | 63            | 238 | 251 | G2     | 137 | 70 | 79  | G1/4 |
| RJQ22P80-50 | 80            | 255 | 263 | G2     | 137 | 70 | 100 | G1/4 |

## Right angle valve

# RQ22HD

Classical design, durable

Air control design, energy saving and environmental protection

Big flow rate, safety and Precision



## Ordering Code

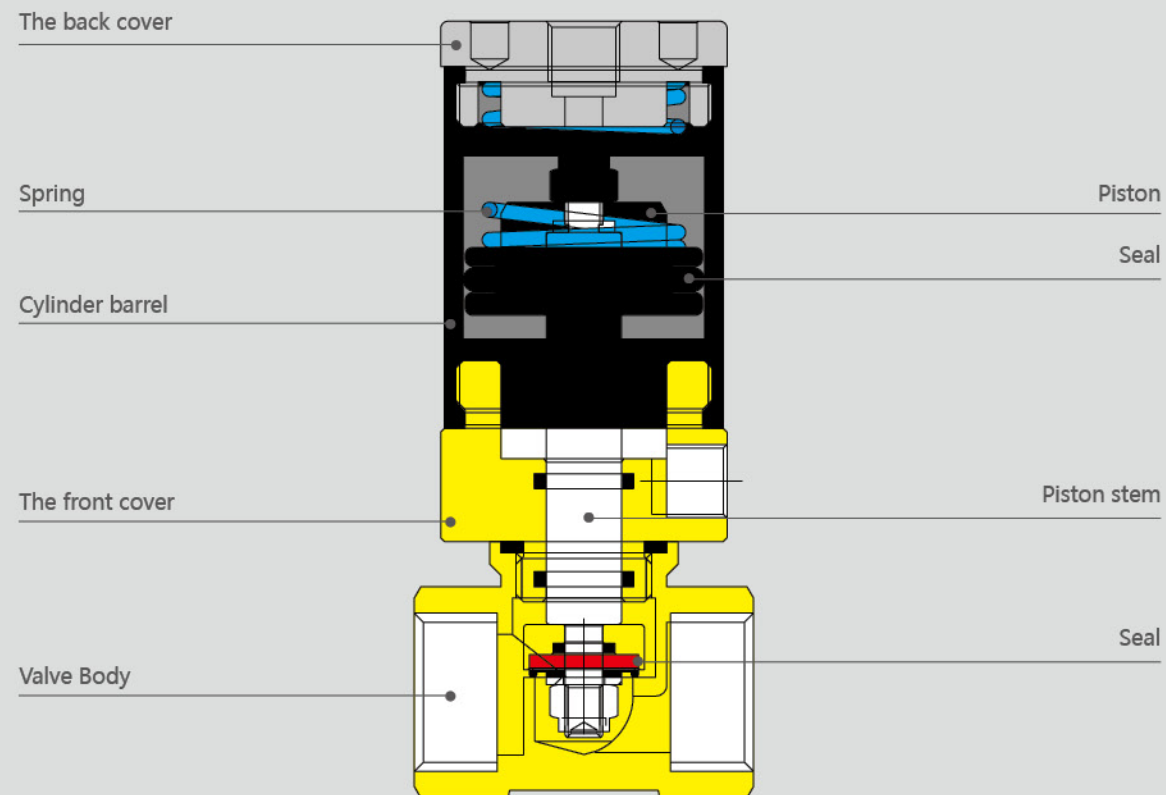
|             |                        |                      |                          |   |  |   |  |   |  |
|-------------|------------------------|----------------------|--------------------------|---|--|---|--|---|--|
| <b>R</b>    | <b>Q</b>               | <b>22</b>            | <b>HD</b>                | - | <b>□</b>   | - | <b>□</b>   | - | <b>□</b>   |
| RFS product | Right angle valve code | Two way two position | Air control liquid valve |   | Connection size<br>15 1/2"<br>20 3/4"<br>25 1"<br>40 1 1/2"<br>50 2" |   | <b>S</b> single acting type<br><b>D</b> double acting type<br><b>K</b> normally open |   | Material<br><b>H</b> high temperature type<br><b>Blank</b> normal type |

Remark: Normally open: Flow comes under the piston seal, against arrow on body.

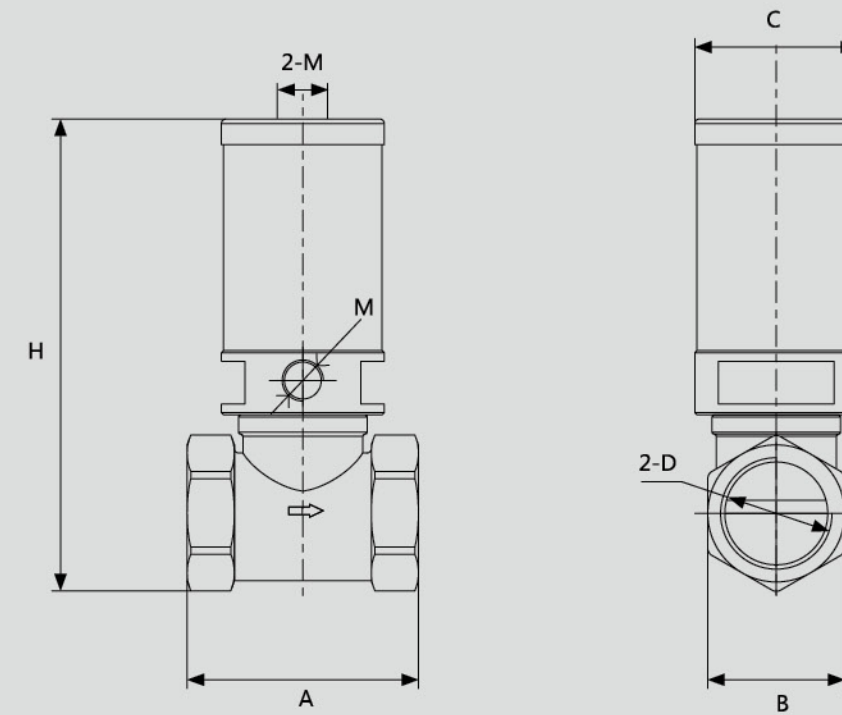
## Pneumatic control valve

### Features

Can work at low pressure, smartness for on and  
There are many types of structure single acting and  
double acting control,etc structure single acting type  
and double acting type. Application: food, medicine,  
industry, abstersion, landification, printing, etc.



## 外形尺寸



| Model     | A    | B  | C  | 2-D     | H    | M     |
|-----------|------|----|----|---------|------|-------|
| RQ22HD-15 | 45   | 25 | 37 | G1/2"   | 89.5 | G1/8" |
| RQ22HD-20 | 50   | 31 | 37 | G3/4"   | 109  | G1/8" |
| RQ22HD-25 | 64.5 | 38 | 37 | G1"     | 118  | G1/8" |
| RQ22HD-40 | 80   | 53 | 55 | G1-1/2" | 162  | G1/8" |
| RQ22HD-50 | 99.5 | 65 | 78 | G1/8"   | 179  | G1/4" |

| Model     | Orifice | Media                        | Working pressure | Control pressure | Temp range                      | Kv value (m3/k) |
|-----------|---------|------------------------------|------------------|------------------|---------------------------------|-----------------|
| RQ22HD-15 | 13mm    | Compress Air<br>Water<br>Oil | 0-0.8MPa         | 0.4-0.8MPa       | -5~80°C<br>-20~150°C(High temp) | 4               |
| RQ22HD-20 | 16mm    |                              |                  |                  |                                 | 5               |
| RQ22HD-25 | 22mm    |                              |                  |                  |                                 | 10              |
| RQ22HD-40 | 35mm    |                              |                  |                  |                                 | 25              |
| RQ22HD-50 | 45mm    |                              |                  |                  |                                 | 40              |