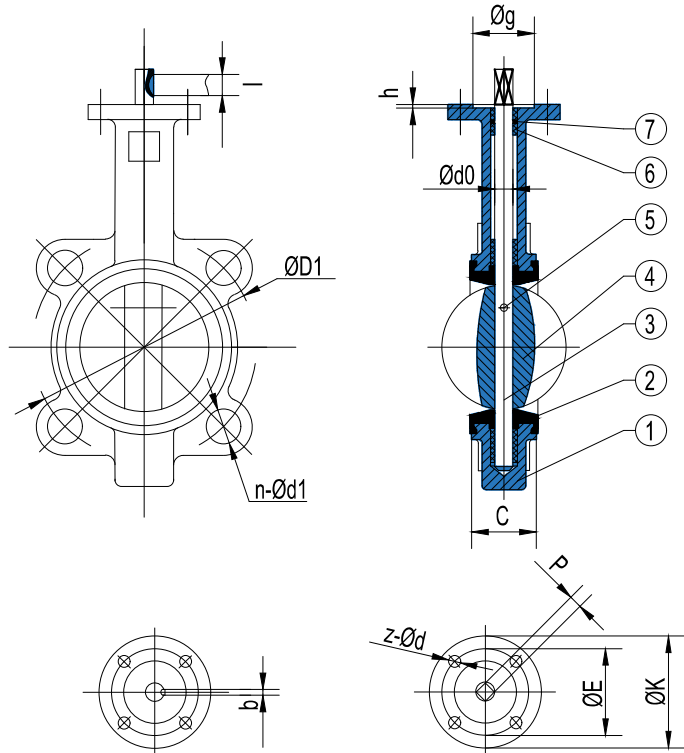




## Wafer Butterfly Valve



- **Type:**  
Wafer
- **Face to Face:**  
API609,BS5155,DIN3202,ISO5752
- **Flange:**  
DIN,BS,UNI,ISO, ANSI, AS,JIS
- **Mounting Flange:**  
ISO5211
- **Working Pressure:**  
PN16(200PSI)
- **Appliaction:**  
HVAC,Water Supply&Sewage,  
Food&Beverage,Chemical/  
petrochemical/processing,  
Power and Utilities,Paper  
and Pulp,Ship Building.

### STANDARD MATERIALS OF MAIN PARTS

ITEM	PART NAME	MATERIAL
1	Body	CI/DI/CS/SS
2	Seat	EPDM/PTFENITON/NBR/Hypalon
3	Shaft	SS416/316/304
4	Disc	CF8/CF8M/DI+Ni
5	Pin	SS304/SS316
6	Bushing	PTFE/Bronze
7	O Ring	NBR/EPDM

### DIMENSIONS:(mm)

SIZE		C	d0	K	E	z-d	g	h	p	bXl	PN16		PN10		ANSI 150		JIS 10K	
in	DN										D1	n-Ød1	D1	n-Ød1	D1	n-Ød1	D1	n-Ød1
2	50	42	12.6	77	50	4-7	35	3	9	3X16	125	4-18	125	4-18	120.5	4-19	120	4-19
2.5	65	44.7	12.6	77	50	4-7	35	3	9	3X16	145	4-18	145	4-18	139.5	4-19	140	4-19
3	80	45.2	12.6	77	50	4-7	35	3	9	3X16	160	8-18	160	8-18	152.5	4-19	150	4-19
4	100	52.1	15.77	90	70	4-9	55	3	11	5X19	180	8-18	180	8-18	190.5	8-19	175	8-19
5	125	54.4	18.92	90	70	4-9	55	3	14	5X19	210	8-18	210	8-18	216	8-22	210	8-23
6	150	55.8	18.92	90	70	4-9	55	3	14	5X19	240	8-23	240	8-23	241.5	8-22	240	8-23
8	200	60.6	22.1	125	102	4-12	70	3.5	17	5X19	295	12-23	295	8-23	298.5	8-22	290	12-23
10	250	65.6	28.45	125	102	4-12	70	3.5	22	8X28	355	12-27	350	12-23	362	12-25	355	12-25
12	300	76.9	31.6	125	102	4-12	70	3.5	22	8X28	410	12-27	400	12-23	432	12-25	400	16-25
14	350	76.9	31.6	125	102	4-12	70	3.5	22	8X28	470	16-27	460	16-23	476	12-29	445	16-25
16	400	86.5	33.15	175	140	4-18	100	4	24	10X50	525	16-30	515	16-27	540	16-29	510	16-27
18	450	105.6	38	175	140	4-18	100	4	27	10X50	585	20-30	565	20-27	578	16-32	565	20-27
20	500	127	41.15	175	140	4-18	100	4	32	10X50	650	20-33	620	20-27	635	20-32	620	20-27
24	600	152	50.65	210	165	4-23	130	5	36	2-16X60	770	24-36	725	20-30	749.5	20-35	730	24-33
28	700	163	55	300	254	8-18	200	5.5		2-18X63	840	24-36	840	24-30	863.5	28-35	840	24-33
30	750	165	55	300	254	8-18	200	5.5		2-18X63	914	24-39	914	24-33	914.5	28-11/4"	900	24-33
32	800	188	55	300	254	8-18	200	5.5		2-18X63	950	24-39	950	24-33	978	28-41	950	28-33
36	900	203	75	300	254	8-18	200	5.5		2-20X100	1050	28-39	1050	28-33	1086	32-41	1050	28-33
40	1000	216	85	300	254	8-18	200	5.5		2-20X100	1170	28-42	1160	28-36	1200	36-41	1160	28-39
42	1050	251	95	300	254	8-18	200	5.5		2-25X140	1257	32-44	1257	32-37	1257.5	36-41	1270	28-39
48	1200	276	105	350	298	8-23	230	5.5		2-28X140	1390	32-50	1380	32-41	1422.5	40-41	1380	32-39