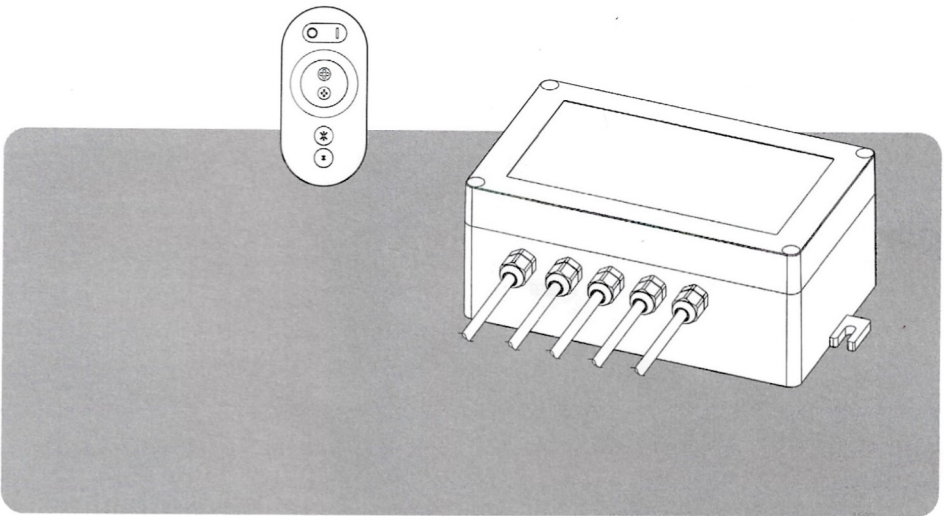


WATER DESCENT REMOTE CONTROL SYSTEM MANUAL



Please Read The Manual Carefully Before Use.

This Remote Control System uses the advanced microcomputer control technology, which can make the LED Lights to work in-phase, and easy to connect the lights. (NOTE: The Remote Control System must be connected to the device with leakage protection)

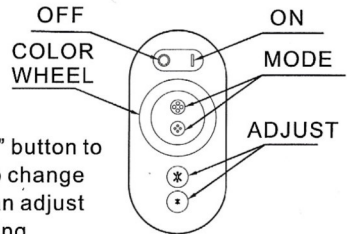
1 SPECIFICATIONS

Input voltage: AC100V ~ 240V
Output voltage : DC12V
Output power : 36W/60W/120W
Max output current : 10A
Max operation distance : 20m

2 BUTTON FUNCTION

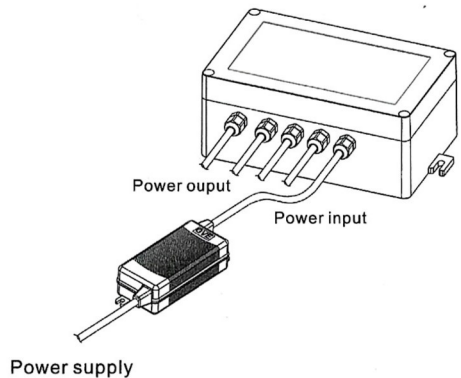
ON: Power On
OFF: Power Off
COLOR WHEEL: Change Color
MODE: Change Mode
ADJUST: Adjust Brightness/Flashing Frequency

Press the "ON" button, light will be ON; Press the "MODE" button to change light mode. Touch the "COLOR WHEEL" button to change light color. Press "ADJUST" button, in static mode, you can adjust the brightness, in dynamic mode, you can adjust the flashing frequency.



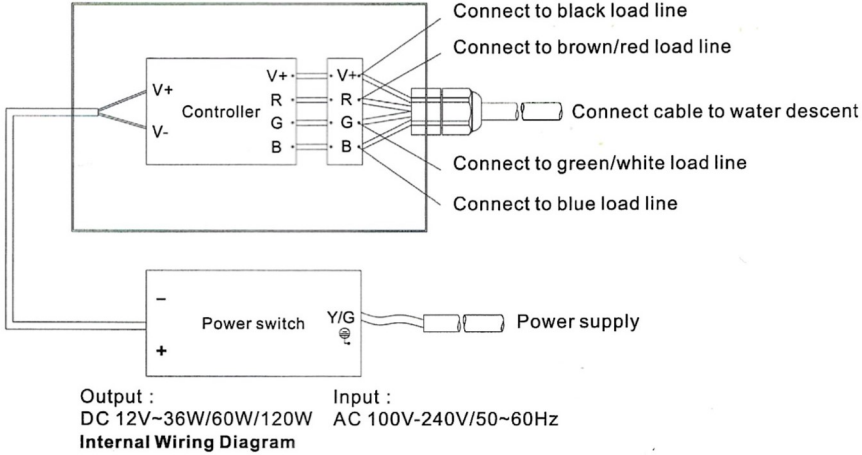
3 CONNECTING

Insert the water descent cable into the output port of the control box, the wiring method is as shown in the figure (internal wiring diagram); then insert the power supply into the power input port, turn on the power switch (as figure)



4 ATTENTION

- (1) The Remote Control System must be installed by a licensed or certified electrician.
- (2) The Remote Control System must be installed far away from the humidity.
- (3) The Remote Control System must be kept away from the corrosive thing.



| Color modes: | | |
|--------------|---|-------------------------------|
| Code | Color mode | Remark |
| 1 | Red constant | Brightness adjustable |
| 2 | Green constant | |
| 3 | Blue constant | |
| 4 | Red & green constant | |
| 5 | Red & blue constant | |
| 6 | Green & blue constant | |
| 7 | Red & green & blue constant | |
| 8 | Red, green and blue changing | Brightness & speed adjustable |
| 9 | Red, green, blue, red & green, red & blue, green & blue, red & green & blue changing | |
| 11 | Red, green and blue fading | Brightness & speed adjustable |
| 12 | Red, green and blue circularly fading | |
| 13 | Red, green, blue, red & green, red & blue, green & blue, red & green & blue fading | |
| 13 | Red, green, blue, red & green, red & blue, green & blue, red & green & blue circularly fading | |
| 14 | Red, green and blue slow flashing | |
| 15 | Red, green, blue, red & green, red & blue, green & blue, red & green & blue slow flashing | |
| 16 | Red, green and blue flashing | |
| 17 | Red, green, blue, red & green, red & blue, green & blue, red & green & blue flashing | |
| 18 | Auto color mode | |

