

# NSM Pool Pump (50Hz)

## Model Definition

NS M 300 G S W S

- S: 304; L: 316L
- W: 50Hz; L: 60Hz
- S: 3PH ( $\leq 3KW$ , 220/380V;  $> 3KW$ , 380V)
- D: 1PH (220V/50Hz; 230V/60Hz)
- G: Metric joints; Y: Inch joints
- Motor power HP\*100 pump
- Series number
- Pool Pump



## Materials

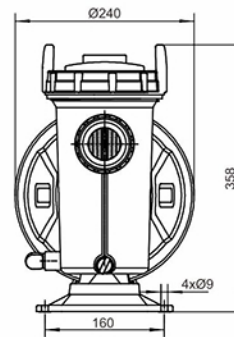
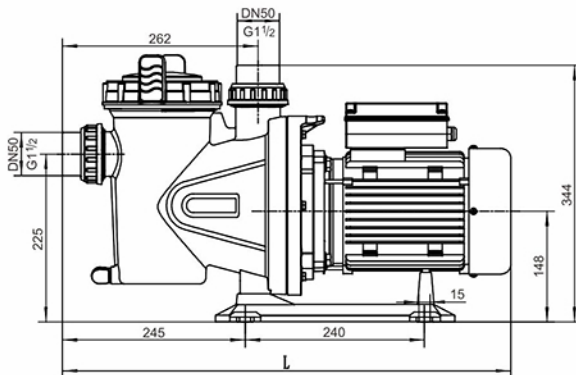
- Engineering plastics made water inlet and outlet
- Mechanical seal module material: Graphite/ Silicon Carbide
- O-ring: NBR
- Aluminium motor casing

## Motor

- 230/380V asynchronous two-pole motor
- Protection class: IP55
- Insulation class: F
- Continuous operation capability
- Built-in overheat protection short circuit device

## Installation Sketch

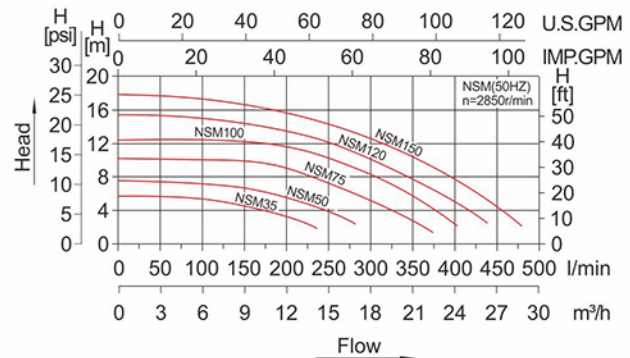
Model	L	Model	L
NSM35		NSM100	
NSM50	590	NSM120	610
NSM75		NSM150	



## Working Condition

- Working Temp: 5-50°C
- Ambient temp:  $\leq 40^\circ C$
- Working pressure: 0.3MPa      Max Self-priming Height
- 3 meters

## Performance Curve



Model	P <sub>1</sub>		Max Head [m]	Max Q		Packing Size L*W*H[cm]	GW [KG]	Flow Q	Head H[m]								
	[KW]	[HP]		[m³/h]	[l/min]				[m³/h]	[l/min]	3	6	9	12	15	18	21
NSM35	0.37	0.5	6.5	13.0	217	58*26*39	10.3	Head H[m]	6.0	5.5	5.0	3.0					
NSM50	0.55	0.75	7.8	16.0	267	58*26*39	11.1		7.5	7.2	7.0	6.0	3.8				
NSM75	0.75	1	10.5	19.0	317	58*26*39	11.7		10.5	10	9.8	9	6.5	5			
NSM100	0.9	1.2	12.5	22.0	367	66*26*41	14.1		12.5	12.3	12.0	11.5	10.5	8.2	5.8		
NSM120	1.1	1.5	15.0	24.0	400	66*26*41	15.3		15.0	14.5	14.0	13.5	12.0	10.0	7.5	5.0	
NSM150	1.5	2	17.5	27.0	450	66*26*41	16.5		17.5	16.5	16.0	15.5	14.0	12.5	10.5	7.5	