



MPU SERIES SWIM CURRENT MACHINE INSTALLATION & OPERATION MANUAL



Please Read The Manual Carefully Before Use.

CONTENTS

1 IMPORTANCE WARNINGS AND PRE-INSTALLATION PRECAUTIONS	1
2 PRODUCT STRUCTURE DIAGRAM	3
3 INSTALLATION INSTRUCTION	4
4 OPERATION INSTRUCTION	6
5 TROUBLESHOOTING	9

1

IMPORTANTCE WARNING AND PRE-INSTALLATION PRCAUTIONS

Before using this product, please read the entire contents of the instruction manual *carefully and* strictly follow the relevant requirements of the instruction manual; ignoring the safety warnings and instructions may lead to serious consequences such as serious injury property damage, life-threatening and so on.

PRODUCT DESCRIPTION

MPU swim current machine is with safety voltage, low noise, adjustable speed and easy to install. It also can be used for new & renovation swimming pool. This product is maked of safe material, and will not affect the pool water quality.

PRE-INSTALLATION PRECAUTIONS

1. Before installing this swim current machine, please clean the dirt on the installation area of pool. Make sure that plane of the installation area of pool is flat and meet the conditions of the fixed explosive bolts.

2. Rated voltage: AC220V, Frequency: 50Hz-60Hz.

3. Before installation, reserve wires of $3 \times 4 \text{ mm}^2$ at the electrical box installation location and the length of the wire should not exceed 25m. Then reserve the power wire of $3 \times 10 \text{ mm}^2 + 1 \times 2.5 \text{ mm}^2$ and communication wire, which standard length is 5 meters, between electrical box and swim current machine. The length of the wires can be chosen according to the installation site. It is recommended to reserve a length of 1.5-2 meters for wiring. If the length of the wire exceeds 10 meters, it is necessary to choose the wire diameter (according to Table 1), otherwise the device may fail to start. Make sure the terminals of the electrical components, screws, washers, nuts, etc. are correctly installed. The connection terminals have been pre-pressed. The connection terminals are pre-stressed. When fixing the power core of the motor, make sure that the terminals are fixed firmly and that the aviation plug is fixed correctly and firmly.

Table 1

Power	0-10m	10-20m	20-30m
Wire diameter	10 mm^2	16 mm^2	25 mm^2

4. After installation, the electrical control box be installed in the location ventilation, far away from chemical gas and avoid direct sunshine. The electrical control box should be installed 3m away from the water surface for the safety of electricity. If it is outdoor, please be sure to keep waterproof rain processing of electric box.

5. IMPORTANT SAFE WARNING

Failure to follow these safety precautions could cause electric shock, fire or product damage.

6. Children must not be allowed to operate this product.

7. The power cord must be grounding and deviced the leakage protecting in order to reduce the risk of electric shock. Contact a licensed electrician if you are unsure if there is a grounding arrangement.

8. To reduce the risk of electric shock, replace the damaged cords immediately.

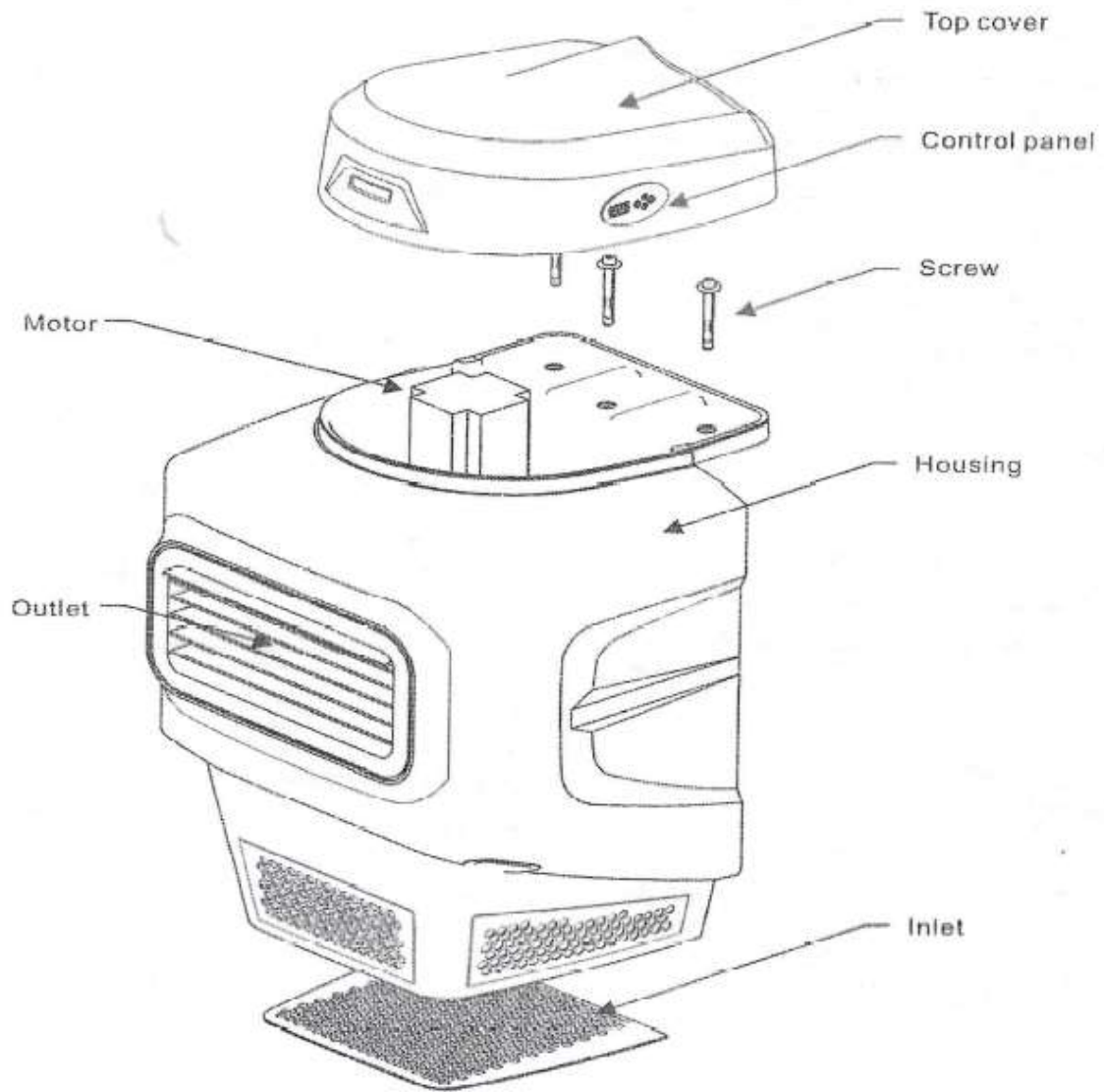
9. Select a correctly location. Do not pile up flammable or explosive items around the MPU swim current machine.

10. POWER SUPPLY

All wiring must be carried out by a qualified electrician. Wiring must be done with the power switched off. The grounding of the electric control box must be connected to the good performance core, otherwise it may cause electric shock, fire or product damage.

11. MAINTENANCE

Never attempt to disassemble or modify the electrical box and circuit layout. The leakage switch must be inspected at least once a month by licensed electrician, and the relevant inspection records must be registered in the inspection record form. It can be cleaned with suitable cleaning agents such as alcohol, thinner, etc.

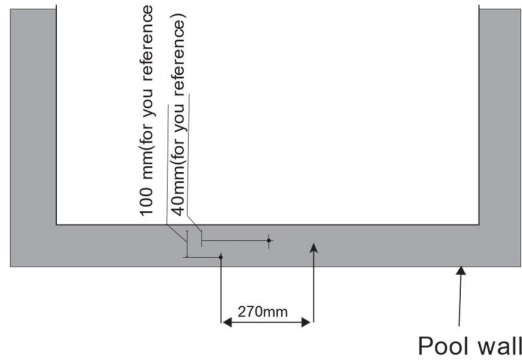


3

INSTALLATION INSTRUCTIONS

The machine can be used for series flow circulation or reverse circulation pool

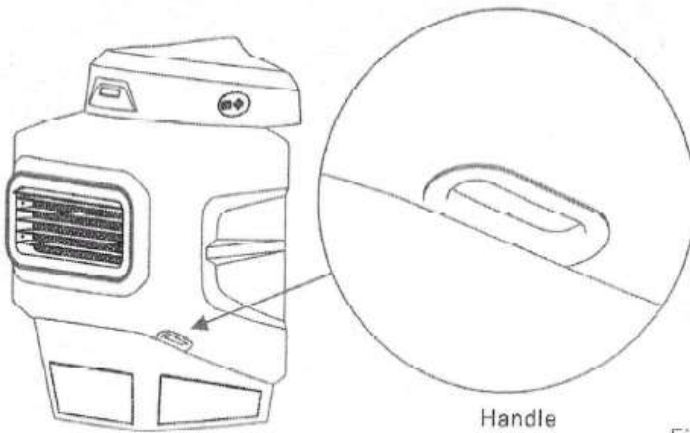
1. Drill three holes of 50~70mm depth on the edge and the wall of pool with the size requirements as shown in Figure 1-1, using an impact drill (with a diameter of 12 mm drill bit).



Top view of the pool

Figure 1-1

2. As shown in Figure 1-2, when installing, use the left and right handles at the bottom of the machine two people carry and install together, one person on one side, one hand grasps the handle, the other hand holds the back plate or box cover, maintain balance to avoid rollover), lift the machine to the installation position, and put it into the pool.

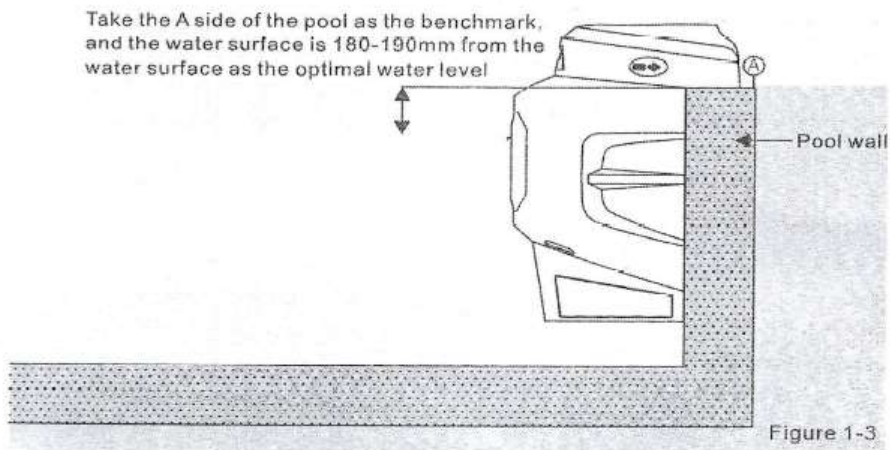


Handle

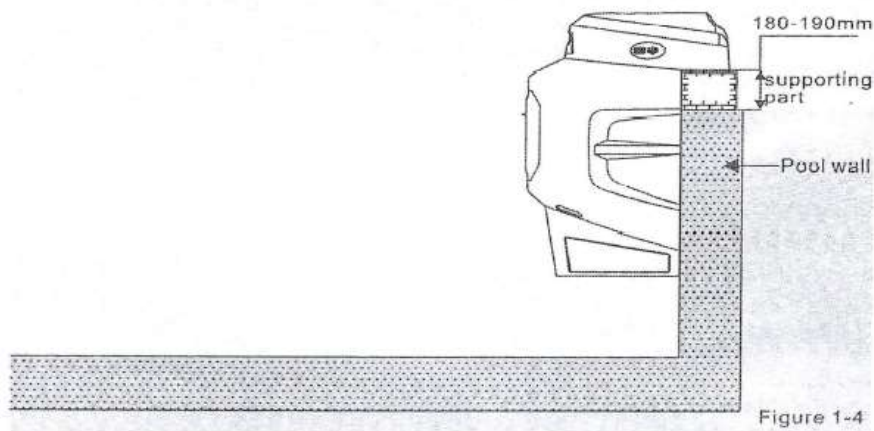
Figure 1-2

3. Adjust the position of the unit as shown in Figure 1-3, make sure the back of the unit as close as possible to the pool wall, and the back hanging plate is aligned with the three holes pre-drilled on the pool side.

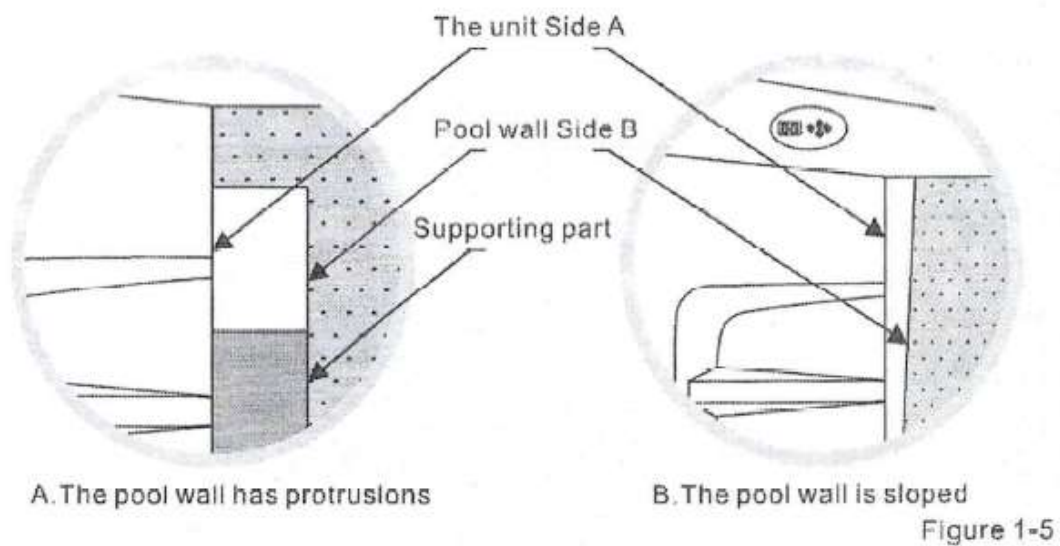
(1) Installation method of flow series flow circulation pool



(2) Installation method of reverse circulation pool
 The installation method of the overflow pool is shown in figure 1-4



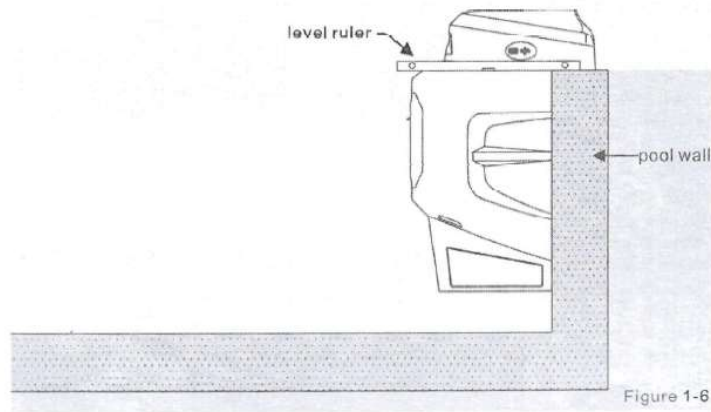
(3) The situation show in Figure 1-5 does not meet the installation requirements.



NOTE

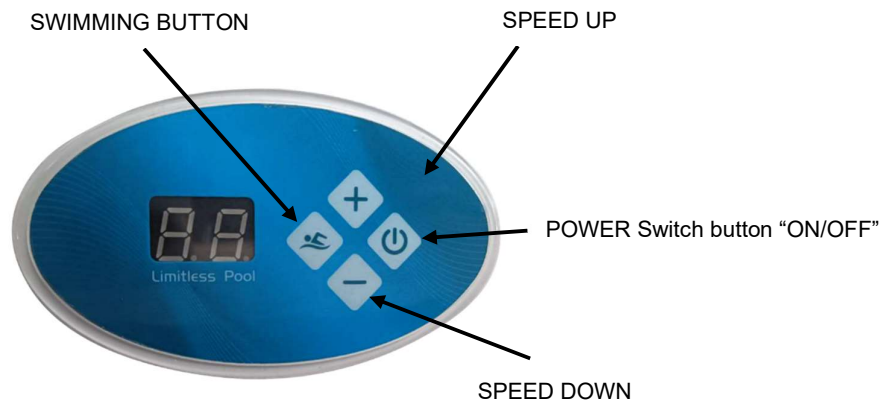
In the above case, fixed support should be fixed between side A and side B of the pool wall to ensure the uniform force of side A.

4. Use the level ruler to check whether the correction unit is flush with the horizontal plane as shown in Figure 1-6, and then put the screw into the hole and tight it up



4

INSTALLATION MANUAL



CONTROL PANEL

ON/OFF

1. When the machine is in the shutdown state (the screen does not show), press the Power Switch button "ON/OFF", the machine enters into the standby state (the screen display " - - ");
2. When the machine is in standby state, press the Power Switch button "ON/OFF", and the machine enters the shutdown state;
3. When the machine is in the shutdown state, the "SWIMMING BUTTON", "SPEED UP", "SPEED DOWN" are invalid;
4. When the machine is in standby state, the "SPEED UP", "SPEED DOWN" are invalid.

SWIMMING BUTTON:

1. When the machine is in standby state, press "SWIMMING BUTTON", the machine enters into the swimming state. The screen shows the speed level ranges from 1 to 99.
2. When the machine is in swimming state, press "SWIMMING BUTTON", the machine enters into the standby state.

SPEED UP

1. When the machine is in swimming state. Press the button "SPEED UP" by one time, the water speed increased by 1 gear.
2. When the machine is in swimming state. Long press the button "SPEED UP", the water speed will be increased rapidly.
3. When the water speed gear is 99, the button "SPEED UP" is invalid.
4. When the machine is in swimming state. The Power Switch button "ON/OFF" is invalid.

SPEED DOWN

1. When the machine is in swimming state. Press the button "SPEED DOWN" by one time, the water speed slow down by 1 gear.
2. When the machine is in swimming state. Long press the button "SPEED DOWN" , the water velocity will be slow down rapidly.
3. When the water speed gear is 0, the button "SPEED DOWN" is invalid.
4. When the machine is in swimming state. The Power Switch button "ON/OFF" is invalid.

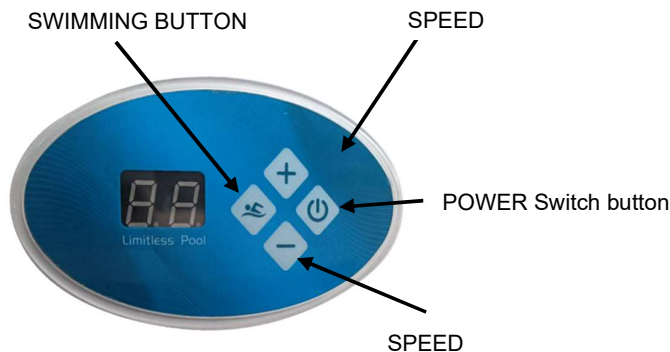
REMOTE CONTROLLER PAIRING METHOD

1. When the machine is not off, press the button "SWIMMING BUTTON" for 3 seconds, and the display screen will flash alternately and display "LE", the machine enters into pairing mode. At this time, press any button of the remote controller to complete the pairing with the machine, and the machine will exit the pairing mode. When the machine is in the pairing mode, the machine will automatically exit the pairing mode, if there is no remote control paired with it in 30 seconds.
2. When the machine is not off, press and hold the button "SWIMMING BUTTON" for 15 seconds, and the machine will cancel all remote controllers paired with it . REMOTE CONTROL Power switch (On/Off): Same as the Control panel

SWIMMING BUTTON:

1. When the machine is in standby state, press "SWIMMING BUTTON", the machine enters into the swimming state.
The screen shows the speed level ranges from 1 to 99.
2. When the machine is in swimming state, press "SWIMMING BUTTON", the machine enters into the standby state.
3. When the machine is in standby state, the button "SPEED UP"," SPEED DOWN" are invalid.

SPEED UP / SPEED DOWN: Same as the Control panel.

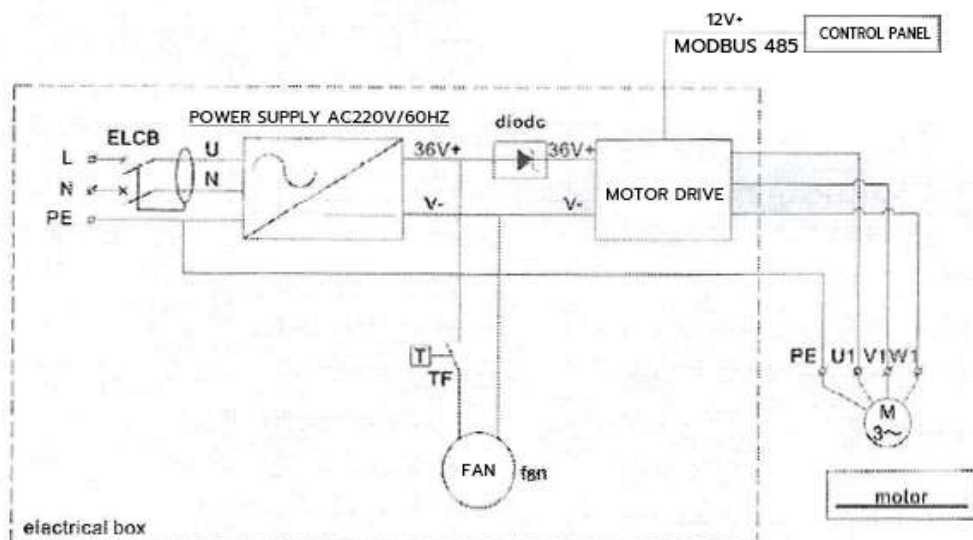


NOTE

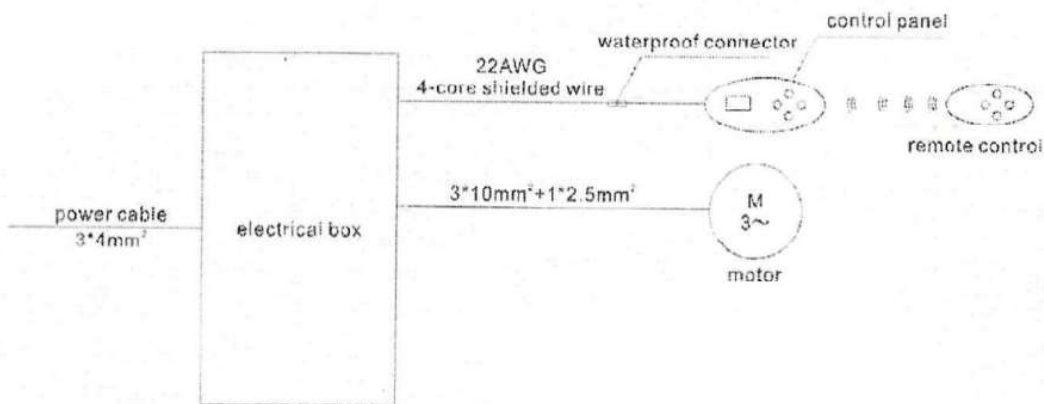
The machine has self-cleaning function. The machine will automatically shut down after running at ground speed for 1 minute every 24 hours, when the equipment is in standby mode. This function can extend the life of the product. Therefore, it is recommended that do not turn off the machine during daily use and keep it in standby mode. If the machine is not used for a long time, such as more than 30 days, it is recommended to drain the pool and turn off the machine.

CIRCUIT CONNECTION DEBUGGING

Electric control drawing



Electric control drawing



No	Description	Troubleshooting
1	Water in take from counter flow(water outlet) while start the machine	Make reversing connections to the power wires on the motor terminal block.
2	There is no display on the panel screen when power is on	Check whether the aviation plug of the communication line is connected properly.
		Check whether the circuit breaker of the electric control box is closed and whether there is a leakage fault.
		Check whether the output voltage of the power supply is 36V.
		Check if the motor drive light is on.
3	Remote control not responding	According to "REMOTE CONTROLLER PAIRING METHOD"
		The remote control battery is dead. Replace the battery with a new one
4	Water in take from counter flow(water outlet) while start the machine	Contact the dealer or manufacturer.
5	The motor does not respond after pressing the swim button	Check whether the motor wiring is securely connected
		Contact the dealer or manufacturer.
6	The water flow of the swimming machine is unstable	Adjust the water level to the optimum water level mark.
		Check whether the optimal water line is flush with the water surface