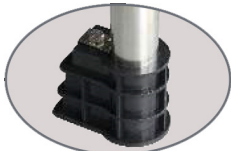
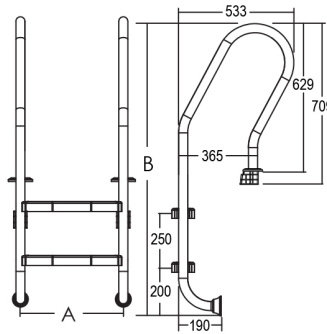


“EMAUX” NSF Series 1.9 Inches Stainless Steel Ladders

INSTALLATION OPTIONS



Anchor Type



STEP OPTIONS

1. Stainless Steel



2. S.S. with anti-slip pad



3. Plastic



Anchor Type Stainless Steel Step and S.S. Step(with Anti-Slip Pad): Anchor Type Plastic Step

Code (AISI-304)	Model No.	Code (AISI-316)	Model No.	A mm	B mm	Code (AISI-304)	Model No.	A mm	B mm
88072401	NSF215-S	88076706	NSF215-SR	493	1330	88072501	NSF215-P	476	1330
88072402	NSF315-S	88076707	NSF315-SR	493	1580	88072502	NSF315-P	476	1580
88072403	NSF415-S	88076708	NSF415-SR	493	1830	88072503	NSF415-P	476	1830
88072404	NSF515-S	88076709	NSF515-SR	493	2080	88072504	NSF515-P	476	2080

Code	Model	Grades	Steps Material	Step Quantity
21810510105	NSF215-P	S.S. 304	Plastic Steps	2
21810510020	NSF215-S	S.S. 304	Stainless Steel Steps	2
21810510150	NSF215-SR-316	S.S. 316	S.S. Steps with Anti-Slip Pad	2
21810510045	NSF315-P	S.S. 304	Plastic Steps	3
21810510050	NSF315-S	S.S. 304	Stainless Steel Steps	3
21810510155	NSF315-SR-316	S.S. 316	S.S. Steps with Anti-Slip Pad	3
21810510075	NSF415-P	S.S. 304	Plastic Steps	4
21810510080	NSF415-S	S.S. 304	Stainless Steel Steps	4
21810510160	NSF415-SR-316	S.S. 316	S.S. Steps with Anti-Slip Pad	4
21810510125	NSF515-P	S.S. 304	Plastic Steps	5
21810510110	NSF515-S	S.S. 304	Stainless Steel Steps	5
21810510165	NSF515-SR-316	S.S. 316	S.S. Steps with Anti-Slip Pad	5

