

ALLEDOSIEREN DOSING PUMP V Series



Principle

The dosing pump is controlled by a microprocessor, a fixed stroke length, variable stroke frequency, diaphragm driven by electromagnets, can be used to transport a variety of chemicals dosing.

Principle

The electromagnetic force to drive the diaphragm motion in the pump head, the pressure variations caused by suction valve and discharge valve automatically open and close realization of chemical dosing.

The pump in 0.48~15.20 L/h range, the maximum output pressure of 8.2~1.8 bar can adjust the flow according to the regulation of frequency.



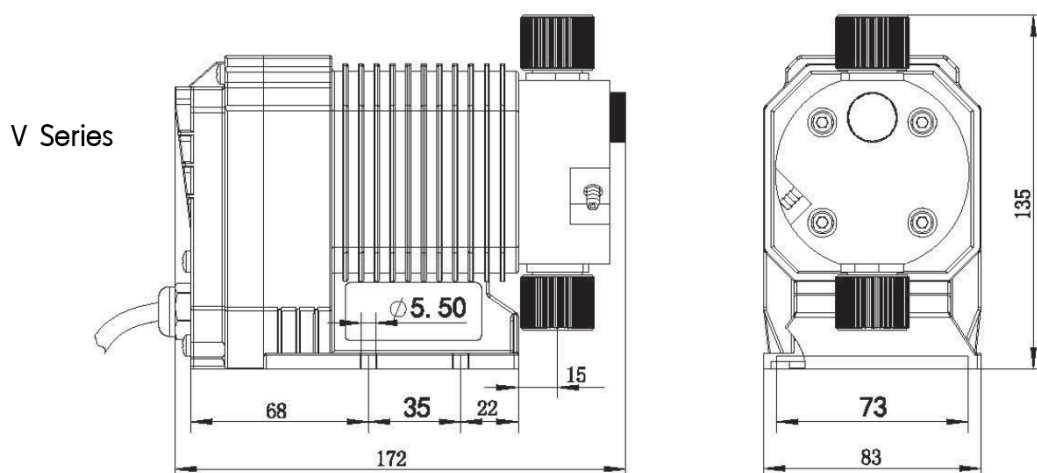
Repeated accuracy	-3%~+3%
Ambient temperature	5~42 °C (indoor or outdoor in shade)
Chemicals temperature	5~45 °C (polypropylene head)
Chemicals viscosity	<300mPa · s
Particle diameter	0.15 mm
Voltage	AC 220V 50/60Hz -10%~15% AC 110V 50/60Hz -10%~+15%
Power	12W \ 16W \ 24W \ 30W
Protection grade	IP55
Insulation grade	F
Explosion-proof grade	None
External pulse signal	Passive or Active pulse signal The pulse width ≥ 100 ms
External analog signal	0/4 ~20mA

ALLEDOSIEREN DOSING PUMP

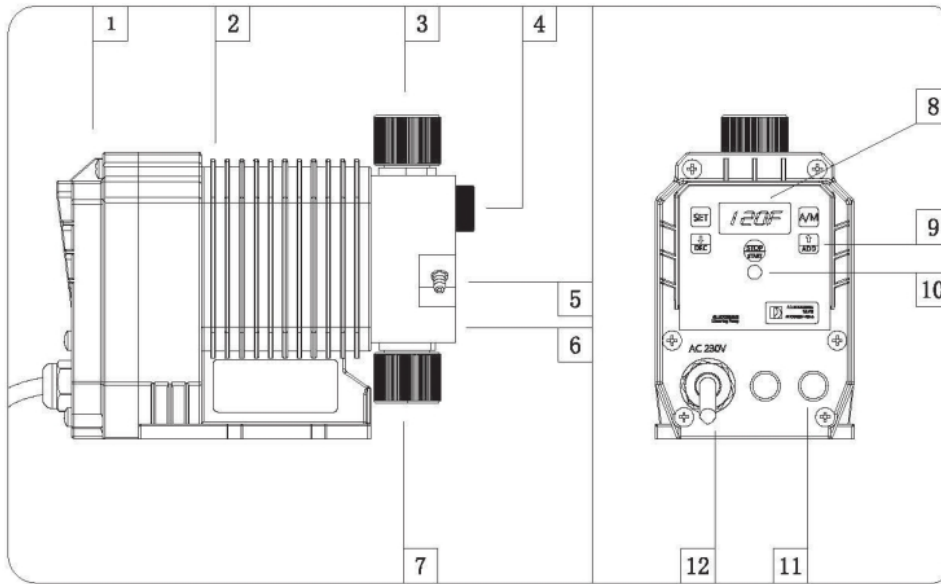
V Series

Model	Flow L/H	Pressure bar	Stroke N/m	Suction m	Power W	Weight kg	Hosepipe mm	Connection mm	Voltage VAC
00508	0.48	8.2	90	1.2	12	2.9	4x6	DN15	220
01008	1.08	8.2	90	1.2	12				
02008	2.16	8.2	120	1.5	12				
03008	3.12	7.6	120	1.5	12				
04006	3.60	6.8	120	1.5	12				
06005	5.04	6.2	160	1.5	16				
08005	6.00	4.8	160	1.5	16				
08004	8.16	3.8	160	1.5	16				
09003	9.00	3.5	160	1.5	24				
10004	10.20	3.2	160	1.5	24				
12003	12.48	2.8	180	1.8	30				
15002	15.20	1.8	180	1.8	30				

DIMENSIONS

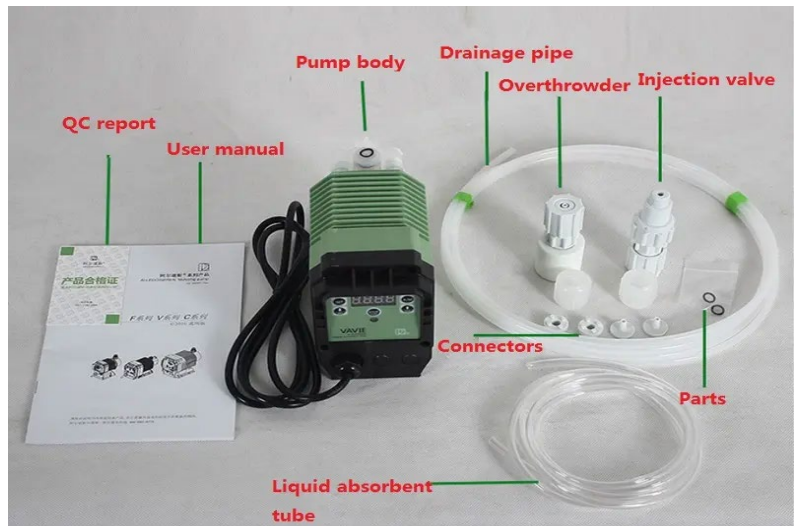
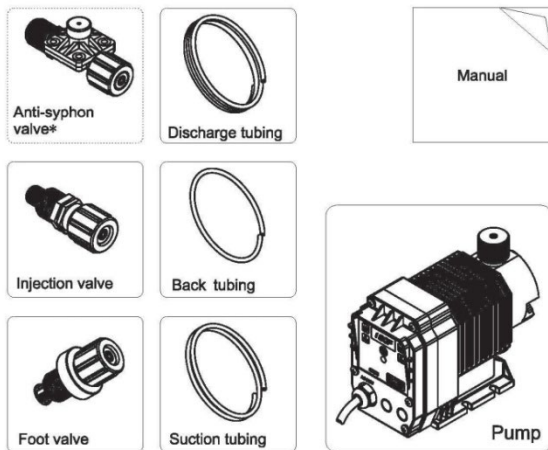


ALLEDOSIEREN DOSING PUMP V Series



- | | | | |
|-----------------------|-----------------------|-----------------------------|-----------------|
| 1. Front cover(black) | 2. Back cover(green) | 3. scharge side | 4. Exhaust knob |
| 5. Back tubing jack | 6. Head | 7. Suction side | 8. LCD display |
| 9. Keys | 10. Runing indication | 11. External control signal | 12. AC 220V |

Unpacking



บริษัท วินวิน เอ็นจิเนียริ่ง ซัพพลาย จำกัด
 7/11 ซ.01 กาญจนภิเษก 5/5 ถ.กาญจนภิเษก แขวงท่าแร้ง เขตบางเขน กรุงเทพฯ 10220
 โทร. 02-989-1111, 02-130-6134-35 แฟกซ์. 02-130-6136
 Line@: @winwinpool Mail: info@winwinpoolshop.com