

# Portable Battery Charger CH2430



For VRLA (valve-regulated lead-acid) GEL batteries

This charger is designed for compatibility with VRLA (valve-regulated lead acid) GEL batteries, making it ideal for cyclic charging applications. It is suitable for use with a wide range of equipment, including e-scooters, e-motorcycles, e-bikes, e-floor scrubbers, e-lawn mowers, ATVs/UTVs, forklifts, golf carts, AGVs, e-surfboards, e-boats, etc.



## SAFETY

- Advanced Active PFC and LLC techniques ensure efficient and secure operation.
- Built-in hardware and self-test protections for voltage and current.
- Smart charging algorithms safeguard the battery during the process.

## RELIABILITY

- Robust die-cast shell and organosilicon encapsulant provide heat dissipation, shock resistance, and durability.
- Proven performance in harsh conditions, including wet, hot, dusty, and high-vibration environments.

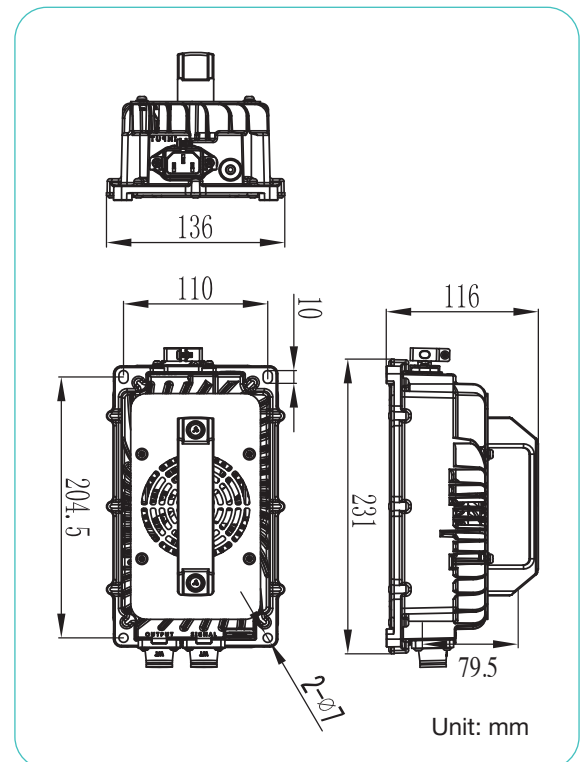
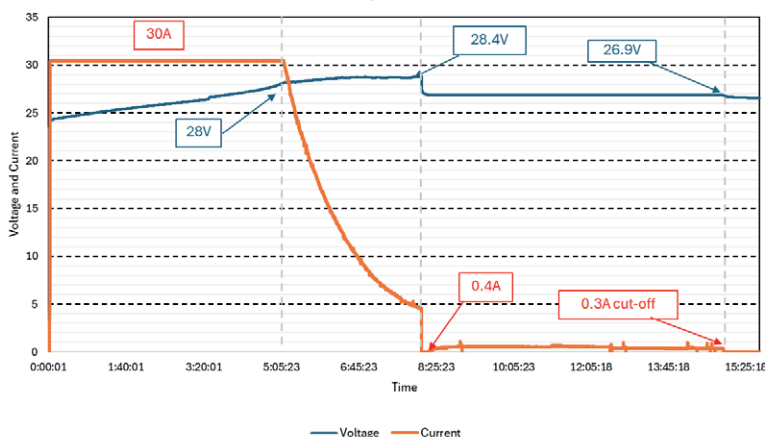
## PROTECTION

- **Burnout:** Auto current reduction at high internal temperature. Stop charging at ambient temperature 65°C temperatures and automatic resume when temperature goes down.
- **Reverse Connection:** Automatic shutdown when batteries are connected reversely to prevent battery charger damage.
- **No-Load:** No output when the battery is not connected.
- **Short Circuit:** Automatic shutdown when output is short-circuited, resuming after fault resolved.
- **Automatic shutdown when fully charged**

## SPECIFICATION

- AC Input Voltage Range: 200-240VAC; 50Hz
- AC Input Max Current: 4.5A
- DC Output Voltage: Nominal 24V
- DC Output Current: Max 30A
- Power Factor: ≥0.99
- For Battery Type: VRLA GEL type
- Suitable for Battery Capacity: 24V 150-225Ah
- Efficiency: Max 92.0%
- Noise: ≤ 45dB
- Protection level: IP65
- Operating Temperature: -30°C~65°C
- Storage Temperature: -30°C~65°C
- Net Weight: 2.0 kg

## CHARGE GRAPH



DENA ENGINEERING CO.,LTD.

185/1 Wongsawang Road, Wongsawang, Bangsue, Bangkok 10800 THAILAND

Tel. 02-587-7780, 02-910-9600 e-mail: dena@dena.co.th [www.dena.co.th](http://www.dena.co.th)