

xiaomi Smart Air Purifier 4 Lite User Manual

CDG | Computer Peripheral
and Supplies Ltd.



กรองฝุ่น PM2.5

ดักจับฝุ่น และสิ่งปนเปื้อน
ในอากาศได้ 99.97%

หน้าจอสัมผัส OLED

สั่งงานผ่านสมาร์ทโฟน

ขนาดห้อง 43 ตร.ม.

GLOBAL VERSION

รองรับการควบคุมด้วยเสียง



* ห้ามมิให้อัด ครอบ หรือ ครอบงำ หรือ บังคับใช้ทางเทคโนโลยีสารสนเทศของผู้อื่นโดยไม่ได้รับอนุญาต

f facebook.com/cps.co.th

📞 Tel. 02-7224040 Ext.9

🌐 www.cps.co.th

LINE scan here
contact us
Need more information



WARNING

- When the power adapter is damaged, it must be replaced with a genuine power adapter purchased from the manufacturer or after-sales service department.
- This appliance can be used by children aged from 8 years and above and persons with reduced physical, sensory or mental capabilities or lack of experience and knowledge if they have been given supervision or instruction concerning use of the appliance in a safe way and understand the hazards involved.
- Children shall not play with the appliance. Cleaning and user maintenance shall not be made by children without supervision.
- Make sure the purifier is turned off and unplugged before performing the maintenance.

Precautions

- Turn off and unplug the purifier before moving it.

- The purifier cannot turn on when the fan grille and the filter compartment cover are not installed properly.
- Maintain a distance of at least 20 cm between the air inlets and walls or other objects.
- The purifier must be placed on firm and flat floor.

- Prior to cleaning or other maintenance, the appliance must be disconnected from the supply mains.
- Frequently remove dust, hair, and other particles from the outer mesh screen of the filter, so as to reduce the chance of bacteria growth.
- Remove dust, hair, and particles from the purifier's air inlets to prevent a reduction of air intake.
- Cover the air outlet to prevent dust, hair, and other particles from falling in when the purifier is left unused for a long time.

To avoid fire, electric shocks, or other damage, use the power adapter and electrical outlet as instructed below:

- Do not excessively pull, twist or bend the power adapter, as this may expose or break the cord's core.
- The power adapter must be plugged into a suitable electrical outlet.
- Use the power adapter that is provided with the purifier, do not use any third party power adapters.
- Always unplug the purifier before carrying out maintenance to or moving the air purifier.

- Immediately stop using the purifier when it makes unusual sounds, gives off bad odors, overheats, or its fan rotates irregularly.
- Do not stick your fingers or foreign objects into the protective parts, movable parts, air inlets, or air outlets.
- Keep objects such as hairs or fabrics away from the purifier to avoid blocking the air inlets or air outlets.
- Do not sit on, lean on or tilt the purifier.
- When using in conjunction with gas-fueled appliances (such as gas stoves, gas heaters), please ventilate sufficiently to avoid carbon monoxide poisoning.
- Do not pour liquids, nor throw powders or other small substances into the purifier's air outlet.
- Make sure no inflammable objects get into the purifier.

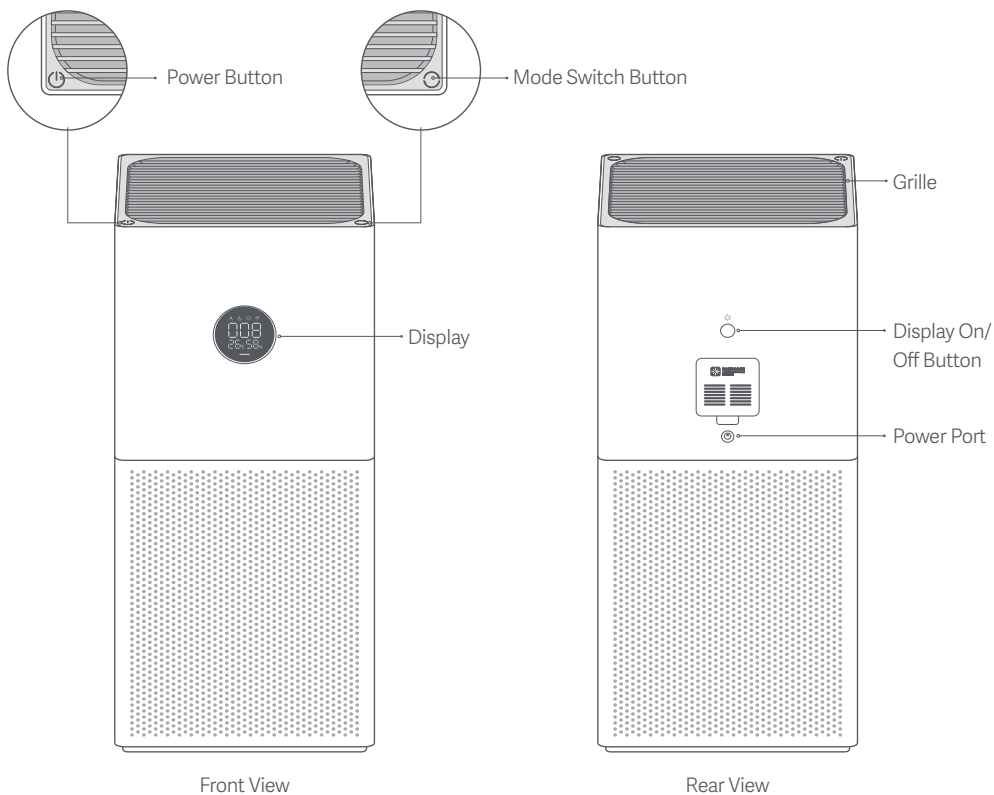
Do not use the purifier in the following circumstances, as they may result in electric shocks, fire, or other damage:

- Near open flames, such as candles, incense burners, stoves, fireplaces, cigarettes, firecrackers, lighters, multipurpose torches, candle lighters, or fire pans.
- Near appliances that generate high temperatures, such as electric heaters, fan heaters, electric foot warmers, electric stoves, or electric irons.
- In unstable locations where the purifier can easily fall over.
- In environments that are extremely hot, humid, or damp, such as bathrooms.

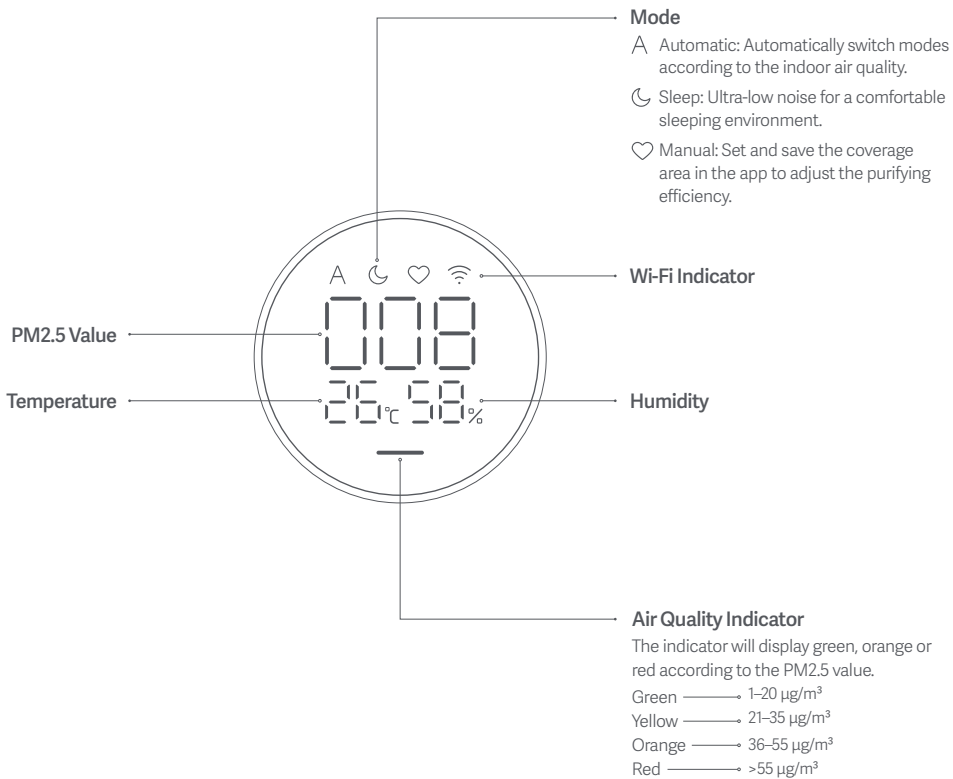
Product Overview

Read this manual carefully before use, and retain it for future reference.

Note: Illustrations of the product, accessories, and user interface in this user manual are for reference purposes only. The actual product and functions may vary due to product enhancements.



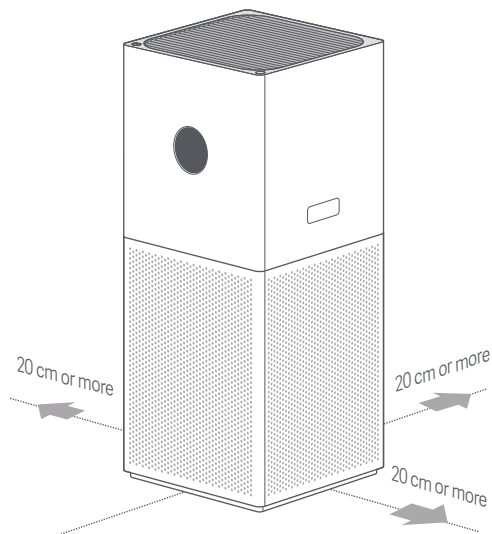
Display Instructions



Installation

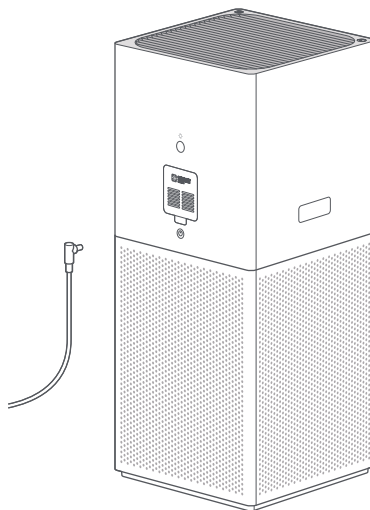
Placing the purifier

For optimal performance, make sure the distances between purifier's air inlets and other objects such as walls meet the requirements as suggested below.



Connecting to an electrical outlet

Connect the power adapter to the power port at the middle part of the purifier and then plug it into an electrical outlet.



Note: It is recommended to keep doors and windows closed for a better purifying effect when using the purifier.

How to Use

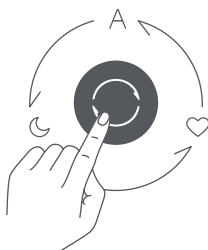
Turning on/off

Press the power button to turn on/off the purifier.



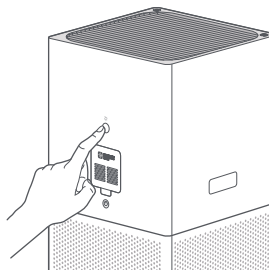
Switching mode

While the purifier is on, press the mode switch button to cycle through modes.



Adjusting the display's brightness

Press the display on/off button on the back of the purifier to cycle through its brightness levels: on, dim, and off.



Enabling/disabling the child lock function

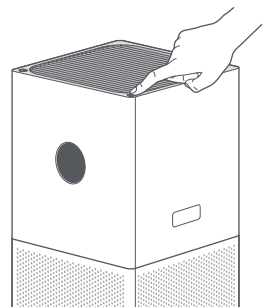
The child lock function can only be enabled via the app. Once enabled, the screen will flash and display as shown in Figure A. To disable the child lock function, press and hold the mode switch button for seven seconds until you hear a notification sound. Then the screen will display as shown in Figure B.



Figure A

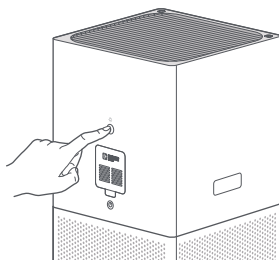


Figure B



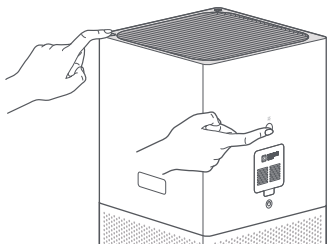
Resetting Wi-Fi

When connecting the purifier to the app for the first time or unable to connect to it, press and hold the display on/off button on the back of the purifier for 7 seconds. The purifier will make a notification sound once the Wi-Fi is successfully reset.



Enabling/Disabling Wi-Fi

Simultaneously press and hold the mode switch button and the display on/off button on the back of the purifier for 7 seconds. The Wi-Fi function is enabled when the Wi-Fi indicator is on and is disabled when the indicator is off.



Connecting with Mi Home/Xiaomi Home app

This product works with Mi Home/Xiaomi Home app*. Control your device with Mi Home/Xiaomi Home app.

Scan the QR code to download and install the app. You will be directed to the connection setup page if the app is installed already. Or search "Mi Home/Xiaomi Home" in the app store to download and install it.

Open Mi Home/Xiaomi Home app, tap "+" on the upper right, and then follow prompts to add your device.

*The app is referred to as Xiaomi Home app in Europe (except for Russia). The name of the app displayed on your device should be taken as the default.



49567965

Note: The version of the app might have been updated, please follow the instructions based on the current app version.

Filter status notification

The air quality indicator will blink red for 30 seconds when the filter is exhausted, please replace the filter in a timely manner.

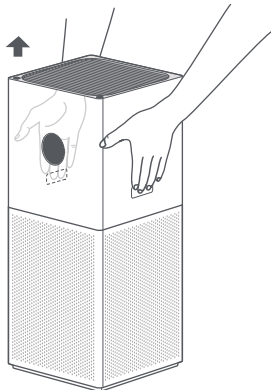
Replacing the Filter

⚠ Warning: Make sure the purifier is turned off and the power adapter is unplugged before replacing the filter.

Note: To avoid injuries, do not put your fingers between the upper and lower compartments when replacing the filter.

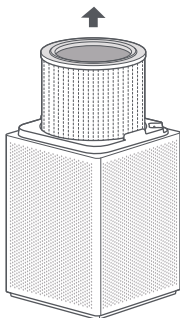
1 Opening the filter compartment

Press and hold the release buttons with both of your hands, and lift up the upper compartment of the purifier.



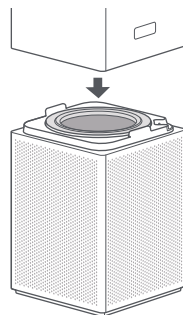
2 Removing the old filter

Remove the old filter upwards.



3 Installing the new filter

Install the filter into the filter compartment, and then place back the upper compartment of the purifier.

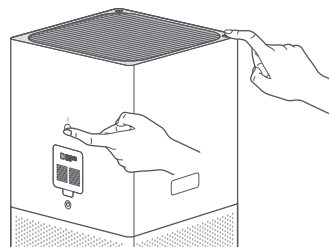


4 Resetting the filter

While the purifier is on standby, simultaneously press and hold the power button and the display on/off button on the back of the purifier for 7 seconds. Once the filter is successfully reset, the purifier will make two beeps and the air quality indicator will blink green three times.

Notes:

- When the air quality indicator blinks red for 30 seconds, it is a reminder that the filter is exhausted.
- It is recommended to replace the filter every 6 to 12 months.
- Please purchase genuine and compatible filters from official channels.



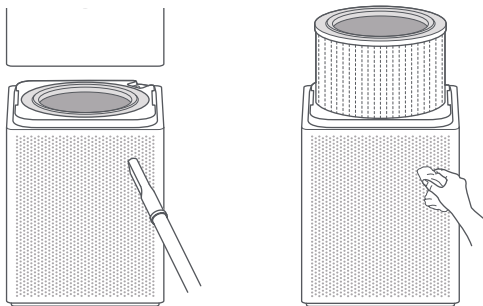
Daily Care & Maintenance

⚠ Warning: Make sure the purifier is turned off and the power adapter is unplugged before performing the following operations.

Cleaning the filter compartment

To ensure optimal ventilation and purification, use a vacuum cleaner to remove any dust from the air inlets and the filter compartment, or wipe these areas gently with a soft cloth.

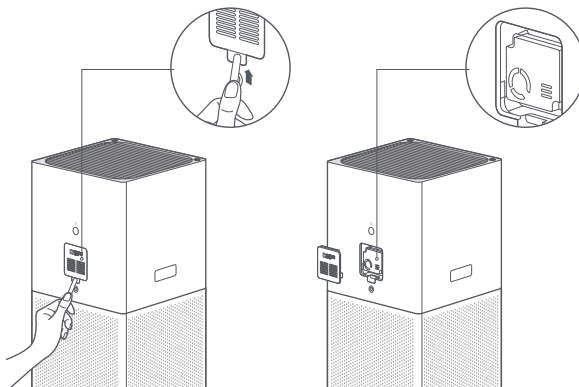
Note: To avoid damaging the purifier, do not rinse or spray the purifier directly with water, or wipe it with a soaking wet cloth.



Cleaning the laser particle sensor

Use a non-sharp tool to open the cover of the laser particle sensor, and then use an air blow gun or hair dryer to clean the filter on the cover and the sensor, as illustrated in the figure.

Note: Do not use hot air.



Specifications

Name: Xiaomi Smart Air Purifier 4 Lite
Model: AC-M17-SC
Item Dimensions: 240 × 240 × 533.5 mm
Net Weight: Approx. 4.8 kg
Effective Coverage: 25–43 m² *
Rated Voltage: 24 V=
Power Adapter Rated Input: 100–240 V~, 50/60 Hz, 1.2 A
Rated Power: 33 W
Noise Level: ≤61 dB(A)
Network Standby Power Consumption: < 2.0 W

Particle Purification Efficiency: High
Formaldehyde Purification Efficiency: High
Particle's Clean Air Delivery Rate (CADR Particle): 360 m³/h
Formaldehyde's Clean Air Delivery Rate (CADR Formaldehyde): 120 m³/h
Wireless Connectivity: Wi-Fi IEEE 802.11 b/g/n 2.4 GHz
Storage Temperature: -10°C to 40°C
Storage Humidity: 5%–90%
Production Date: See packaging
For details of the importer, please refer to the box.

*Calculated according to standard GB/T 18801-2015

RF Specification:

Wi-Fi 2.4 G (2400–2483.5 MHz), Max. RF Output Power: <20 dBm

Under normal use of condition, this equipment should be kept a separation distance of at least 20cm between the antenna and the body of the user.

Regulatory Compliance Information

Europe — EU declaration of conformity



Hereby, Beijing Smartmi Electronic Technology Co., Ltd. declares that the radio equipment - Xiaomi Smart Air Purifier 4 Lite, type AC-M17-SC is in compliance with Directive 2014/53/EU. The full text of the EU declaration of conformity is available at the following internet address: <http://www.mi.com/global/service/support/declaration.html>

Disposal and recycling information



All products bearing this symbol are waste electrical and electronic equipment (WEEE as in directive 2012/19/EU) which should not be mixed with unsorted household waste. Instead, you should protect human health and the environment by handing over your waste equipment to a designated collection point for the recycling of waste electrical and electronic equipment, appointed by the government or local authorities.



Correct disposal and recycling will help prevent potential negative consequences to the environment and human health. Please contact the installer or local authorities for more information about the location as well as terms and conditions of such collection points.

CDG Computer Peripheral
and Supplies Ltd.

Computer Peripheral and Supplies Ltd. 244 Soi Pattanakarn 53,
Pattanakarn, Suanliuang, Bangkok 10250 Thailand

Tel : (66) 0-2322-9535, 0-2722-4040, Fax : (66) 0-2322-7990
Email : sales.dept@cps.co.th, www.cps.co.th
www.facebook.com/cps.co.th, LINE ID : @cps.co.th



scan
here
contact us
Need more information

