

acer



Acer ENDURO T1

CDG | Computer Peripheral and Supplies Ltd.

Computer Peripheral and Supplies Ltd.
244 Soi Pattanakarn 53, Pattanakarn, Suanluang,
Bangkok 10250 Thailand

☎ : Tel. 02-7224040 Ext.9

🌐 : cps.co.th

📧 : @cps.co.th

✉ : sales.dept@cps.co.th

🌐 : www.cps.co.th





Acer Enduro T1 Semi-rugged Tablet | ET110-31W | Black

Ref. NR.R0HEE.001

- Windows 10 Pro 64-bit
- Intel® Celeron® N3450 processor Quad-core 1.10 GHz
- 25.7 cm (10.1") WXGA (1280 x 800) 16:10 IPS
- 4 GB, LPDDR4 SDRAM
- 64 GB Flash Memory
- 5 Megapixel (Rear Camera)
- Wi-Fi
- Warranty 1 Year Acer's Standard Warranty



Specifications

1.

Product Details	
Manufacturer Part Number	NR.R0HEE.001
EAN	4710886071709
Operating System	
Operating System	Operating System
	Free Upgrade to Windows 11* when available
Operating System Architecture	64-bit
Processor & Chipset	
Processor Core	Quad-Core
Processor Type	Celeron®
Processor Manufacturer	Intel®
Processor Model	N3450
Processor Speed	1,10 GHz
Cache	2 MB
Processor	Intel®
Memory	
Standard Memory	4 GB
Memory Technology	LPDDR4
Storage	
Flash Memory Capacity	64 GB
Memory Card Reader	No

Specifications

Display & Graphics	
Screen Size	25.7 cm (10.1")
Display Screen Technology	In-plane Switching (IPS) Technology
Display Screen Type	Active Matrix TFT Colour LCD
Screen Resolution	WXGA
Maximum Resolution	1280 x 800
Backlight Technology	LED
Touchscreen	Yes
Graphics Controller Model	HD Graphics 500
Graphics Controller Manufacturer	Intel®
Graphics Memory Accessibility	Shared
Graphics Memory Technology	LPDDR4
Audio	
Speakers	Yes
Number of Speakers	1
Network & Communication	
Wireless LAN	Yes
Wireless LAN Standard	IEEE 802.11a/b/g/n/ac
Wireless LAN Manufacturer	Intel®
Bluetooth	Yes
Bluetooth Standard	Bluetooth 4.2
Built-in Devices	
Webcam	Yes
Webcam Resolution (rear)	2560 x 1920
Rear Camera Resolution	5 Megapixel
Fingerprint Reader	No
Microphone	Yes
Interfaces/Ports	
HDMI	Yes
Number of USB 2.0 Ports	1

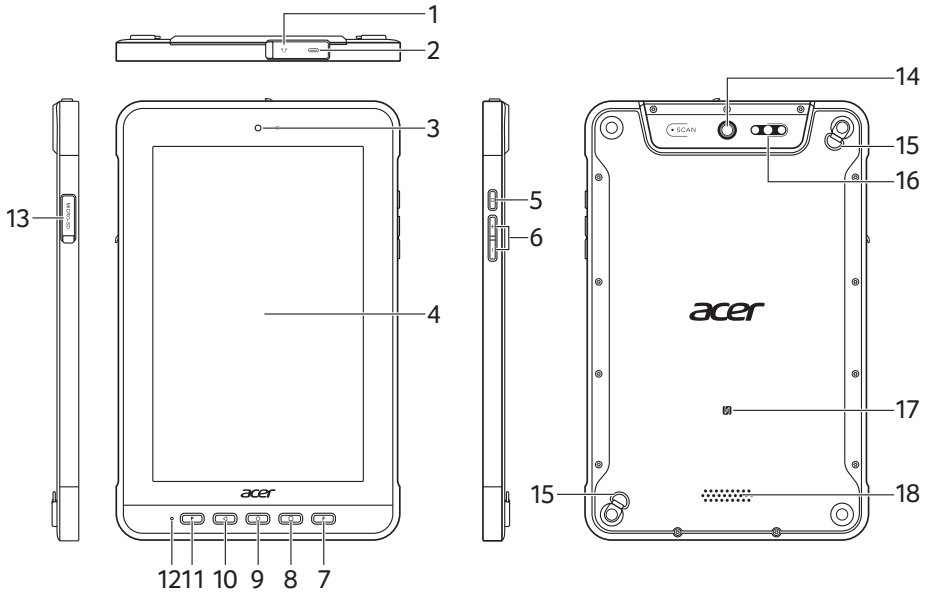
Specifications

3.

Interfaces/Ports	
Number of USB Type-C Ports	Ja
USB Type-C Detail	USB Type-C port supporting : USB 3.2 Gen 1 (up to 5 Gbps) DisplayPort over USB-C DC-in port 12 or 19 V; 45 W
Total Number of USB Ports	3
Network (RJ-45)	No
Input Devices	
Keyboard Type	Touchscreen Keyboard
Battery Information	
Number of Cells	2-cell
Battery Capacity	4870 mAh
Maximum Battery Run Time	10 Hours
Battery Chemistry	Lithium Polymer (Li-Polymer)
Power Description	
Maximum Power Supply Wattage	45 W
Physical Characteristics	
Colour	Black
Height	11.7 mm
Width	178 mm
Depth	290 mm
Weight (Approximate)	950 g
Miscellaneous	Yes
Package Contents	ENDURO T1 ET110-31W-C9XZ Tablet AC Adapter Hand Strap
Security Features	BIOS Password :
Microphone	User Supervisor
Interfaces/Ports	HDD
Green Compliant	Yes
Green Compliance Certificate/ Authority	RoHS WEEE

Getting to know your tablet

Views



No.	Item	Description
1	3.5 mm headphone jack	Connects to stereo headphones. <i>Pull the lip down to open the port fully.</i>
2	USB Type-C port	Connects to a computer via a USB cable. Also serves as the charging port for the AC adapter. <i>Pull the lip down to open the port fully.</i> For more information, see Charging your tablet on page 9.
3	Front-facing camera	A 2 megapixel camera for video chats and selfies.
4	Touchscreen	8" LED-backlit LCD.

No.	Item	Description
5	Power button	Long press to turn the tablet on, press briefly to turn the screen on/off or enter sleep mode; press and hold to turn the tablet off.
6	Volume control key	Increases and decreases the tablet volume.
7	F key	Programmable key (configuration may vary by model). For more information, see Hotkey on page 45 .
8	Recent key	Views recently opened app in your tablet.
9	Home key	Activates the Home screen.
10	Back key	Returns to the previous page, or to go up one level in a menu. It also launches the context menu options.
11	P key	Programmable key (configuration may vary by model). For more information, see Hotkey on page 45 .
12	Microphone	Receives audio for voice searches, video chats and Internet calls.
13	MicroSD card slot	Insert a microSD card into the slot. <i>Pull the lip down to open the port fully.</i>
14	Rear-facing camera	A 5-megapixel camera for taking high-resolution images.
15	Metal buckle	Holds the hand strap.
16	Barcode scanner (optional)	Scans and reads barcode.
17	NFC transmitter	Communicates with another NFC enabled device.
18	Speaker	Delivers stereo audio output.

