

# MV-IDH3013

HIKROBOT®

## 1.3 MP Wired Handheld Code Reader



### Introduction

MV-IDH3013 wired handheld code reader adopts code reading algorithm and can read different types of one-dimensional and two-dimensional codes, and output results rapidly. It has good decoding capability for codes with spots, defects and low contrast ratio, and entry level DPM code.

### Key Feature

- Adopts code reading algorithm to read different types of one-dimensional and two-dimensional codes.
- Provides good robustness to read codes with spots, defects and low contrast ratio.
- Supports continuous code reading, batch code reading for improving code reading efficiency.
- Supports multiple communication protocols, including TCP, Serial, FTP, UDP, USB HID, etc.
- Easy to replace components.

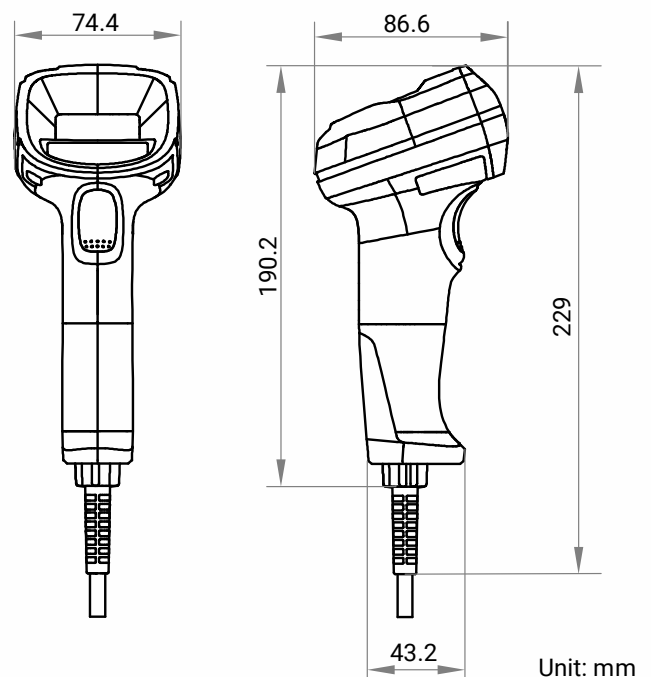
### Applicable Industry

Consumer electronics, medical treatment, appliance manufacturing, etc.

### Available Model

- Fast Ethernet with near distance: MV-IDH3013-05N-R1L
- Fast Ethernet with standard distance: MV-IDH3013-05S-R1L
- USB interface with near distance: MV-IDH3013-05N-R1U
- USB interface with standard distance: MV-IDH3013-05S-R1U

### Dimension



**CDG** | Computer Peripheral and Supplies Ltd.

Computer Peripheral and Supplies Ltd.

244 Soi Pattanakarn 53, Pattanakarn, Suanluang, Bangkok 10250 Thailand

# Specification

| Model   | MV-IDH3013-05N-R1L(U)   | MV-IDH3013-05S-R1L(U)   |
|---|---|---|
| <b>Performance</b>  |   |   |
| <b>Symbologies</b>  | 1-dimensional codes: Code 39, Code 93, Code 128, CodaBar, EAN 8, EAN 13, Matrix 2 of 5, ITF 14, UPCA, UPCE  |   |
|   | 2-dimensional codes: QR Code, Data Matrix   |   |
| <b>Min. accuracy</b>  | 3 mil   | 4 mil   |
| <b>Max. frame rate</b>  | 50 fps  |   |
| <b>Sensor type</b>  | CMOS, global shutter  |   |
| <b>Pixel size</b>   | 2.7 $\mu\text{m}$ $\times$ 2.7 $\mu\text{m}$  |   |
| <b>Sensor size</b>  | 1/4"  |   |
| <b>Resolution</b>   | 1280 $\times$ 1024  |   |
| <b>Depth of field*</b>  | Code 128 (3 mil): 35 mm to 80 mm<br>Code 128 (10 mil): 10 mm to 170 mm<br>Code 39 (5 mil): 15 mm to 100 mm<br>Code 39 (20 mil): 20 mm to 250 mm<br>Data Matrix (10 mil): 5 mm to 115 mm<br>QR Code (20 mil): 20 mil to 190 mm | Code 39 (5 mil): 40 mm to 160 mm<br>Code 128 (10 mil): 10 mm to 400 mm<br>Data Matrix (10 mil): 30 mm to 200 mm<br>QR Code (15 mil): 15 mm to 280 mm<br>QR Code (20 mil): 20 mm to 370 mm |
|   |   |   |
| <b>Field of view</b>  | Horizontal 40°, vertical 34°  |   |
| <b>Detection angle</b>  | Tilt angle $\pm$ 60°, skew angle $\pm$ 60°, rotation angle 360°   |   |
| <b>Symbol contrast</b>  | 20%   |   |
| <b>Communication protocol</b>   | Fast Ethernet type device: SmartSDK, TCP Client, FTP, TCP Server, UDP, Serial<br>USB type device: SmartSDK, USB (HID/CDC)   |   |
| <b>Electrical feature</b>   |   |   |
| <b>Data interface</b>   | Fast Ethernet type device: Fast Ethernet, RS-232, DC terminal<br>USB type device: USB2.0, DC terminal   |   |
| <b>Power supply</b>   | Fast Ethernet type device: 12 VDC to 24 VDC<br>USB type device: 5 VDC (USB), 12 VDC to 24 VDC (DC terminal)   |   |
| <b>Max. power consumption</b>   | Fast Ethernet type device: 1.75 W@12 VDC<br>USB type device: 1.5 W@5 VDC (USB), 1.8 W@12 VDC (DC terminal)  |   |
| <b>Mechanical</b>   |   |   |
| <b>Focal length</b>   | 4.7 mm  |   |
| <b>Lens mount</b>   | M5.8-mount  |   |
| <b>Ambient illumination</b>   | 0 lux to 100000 lux   |   |
| <b>Light source</b>   | Red LED   |   |
| <b>Aiming system</b>  | Cross laser aiming  |   |
| <b>Dimension</b>  | 74.4 mm $\times$ 86.6 mm $\times$ 190.2 mm (2.9" $\times$ 3.4" $\times$ 7.5")   |   |
| <b>Weight</b>   | Approx. 160 g (0.4 lb.)   |   |
| <b>Ingress protection</b>   | IP42  |   |
| <b>Temperature</b>  | Working temperature: -20 °C to 50 °C (-4 °F to 122 °F)<br>storage temperature: -40 °C to 70 °C (-40°F to 158 °F)  |   |
| <b>Humidity</b>   | 20% to 80% RH, non-condensing   |   |
| <b>Drop height</b>  | 1.5 m (59.1"), 50 times   |   |
| <b>General</b>  |   |   |
| <b>Client software</b>  | IDMVS   |   |
| <b>Certification</b>  | CE, KC  |   |
| *Test condition: Environment temperature=25 °C (77 °F), ambient illumination=250 lux filament lamp, Hikrobot's test symbologies are used. |   |   |