

H4W4PER2

WDR 4 MP IR Rugged Mini Dome Camera

Performance Series 2 & 4 MP

Take Advantage of Honeywell's Performance Series of High Resolution IP Cameras

Honeywell is taking quality and reliability to the next level with the launch of the new Performance Series line of 2 and 4 MP cameras in addition to already existing 3MP and 4K cameras. The Honeywell cameras, including rugged dome, eyeball and bullet cameras offer incomparable picture clarity, hassle-free flexible system integration, and secure data transmission—and they install easily too!

Superior HD Image Quality

- High picture quality with new 2 and 4 MP cameras for applications that require high details
- True WDR (120 dB) in 4 MP cameras ensures glare-free images
- True Day/Night provides vivid color images by day and clear black-and-white images at night using a removable IR cut filter
- Excellent low-light performance with 3D noise reduction, saving storage and bandwidth together with H.265 Profile codec

Flexible Surveillance Solution

- A wide range of lenses and zoom options for all types of installations
- IR LEDs provide illumination in dimly lit or nighttime scenes
- Smart IR technology provides even distribution of IR (depending on camera models)
- Waterproof (IP66) and IK10 impact-resistant camera housing (rugged outdoor housings, depending on model)
- ONVIF Profile S and G compliant
- Cameras can use plug-and-play installation with Honeywell Performance Series NVRs

Onboard Video Storage

- Supports microSDHC (Class 10) card for local video storage when network is interrupted (depending on model, card not included)



Easy to Install and Use

- Built-in PoE or PoE+ (Power over Ethernet) eliminates separate power supply and associated wiring
- Remote configuration, motorized zoom adjustments and auto focus through web client or from the NVR
- Wide range of mounting options for the different camera housings include wall mounts, pendant mounts, pole and corner adapters and junction boxes support many types of security situations

Market Opportunities

These fully featured attractive cameras are perfect for that requires high resolution True Day/Night cameras for any scenario. The Performance Series provides excellent picture clarity at minimal bandwidth while offering maximum protection against dust, dirt, and water. Boasting modern designs and offering up to 4MP high definition images, these cameras are suited for a wide range of security applications.

Honeywell

H4W4PER2

WDR 4 MP IR Rugged Mini Dome Camera

OPERATIONAL	
VIDEO STANDARD	NTSC/PAL
SCANNING SYSTEM	Progressive
IMAGE SENSOR	1/3" 4 MP CMOS
NUMBER OF PIXELS (H × V)	2688 × 1520
MINIMUM ILLUMINATION	0.03 lux color @ F1.4 (Color, 1/3s, 30 IRE) 0 lux B/W with IR LEDs on @ F1.4
S/N RATIO	>45 dB
ELECTRONIC SHUTTER SPEED	1/3(4) – 1/100,000 s
IR DISTANCE	Up to 148 ft (45 m), depending on scene reflectance
DAY/NIGHT	Auto (ICR)/Color/BW
BACKLIGHT COMPENSATION	BLC/HLC/WDR (120 dB)
WHITE BALANCE	Auto/Natural/Street Lamp/Outdoor/Manual
GAIN CONTROL	Auto/Manual
WIDE DYNAMIC RANGE	True WDR (120 dB)
NOISE REDUCTION	3D DNR
PRIVACY MASKING	Up to 4 configurable zones
MOTION DETECTION	Up to 4 configurable zones
REGION OF INTEREST	Up to 4 configurable zones
DIGITAL ZOOM	16x
SMART IR	Auto/Manual
LENS	2.7 – 13.5 mm, MFZ, F1.4
ANGLE OF VIEW	104° – 28° (H), 55° – 16° (V)
VIDEO	
VIDEO COMPRESSION	H.265/H.264H/Smart Codec/MJPEG (Sub Stream)
RESOLUTION	4 MP (2688×1520), QHD (2560×1440), 3 MP (2304×1296), 1080p (1920×1080), SXGA (1280×1024), 1.3 MP (1280×960), 720p (1280×720), D1 (704×576/704×480), VGA (640×480), CIF (352×288/352×240)
FRAME RATE	4 MP at 1 – 20fps, 3 MP at 1 – 25/30fps D1/CIF at 1 – 25/30fps
BIT RATE CONTROL	CBR/VBR
BIT RATE	H.265: 12K – 8448 Kbps H.264: 32K – 10240 Kbps

NETWORK	
ETHERNET	RJ-45 (10/100BASE-T)
SUPPORTED WEB BROWSERS	Internet Explorer (11.0+)
SUPPORTED OS	Windows 7 32-bit
PROTOCOLS*	IPv4/v6, TCP/IP, UDP, RTP, RTSP, RTCP, HTTP, HTTPS, SSL, FTP, SMTP, DHCP, PPPoE, UPnP, SNMP v2/v3, Bonjour, DNS, DDNS, IEEE 802.1X, QoS, NTP
INTEROPERABILITY	ONVIF Profile S, Profile G
MAXIMUM USERS ACCESS	20 Users
SECURITY	User account and password protection, HTTPS, IP filter, IEEE 802.1X, digest authentication, user access log, TLS1.2, AES-256, SSH/Telnet closed, FTP disabled
EVENT	No SD card, SD card error, SD card capacity warning, network disconnection, IP address conflict, illegal access, video tampering, motion detection
MICRO SD	Up to 128 GB microSDHC card, Class 10 (not included)
EVENT NOTIFICATION	Record (SD card, NAS, FTP), relay output, email, snapshot

ELECTRICAL	
POWER SUPPLY	PoE (802.3af) Class 0, 12 VDC
POWER CONSUMPTION	8.5 W max. (IR LEDs on)

MECHANICAL	
DIMENSIONS	4.8" × 3.5" (122.0 mm × 88.9 mm)
PRODUCT WEIGHT	0.88 lb (0.4 kg)
PACKAGE WEIGHT	1.19 lb (0.54 kg)
CONSTRUCTION	Die-cast aluminum housing with powder coat
CONSTRUCTION COLOR	RAL 9003 (White)

ENVIRONMENTAL	
OPERATING TEMPERATURE	-22°F to 140°F (-30°C to 60°C)
RELATIVE HUMIDITY	Less than 95%, non-condensing
INGRESS PROTECTION	IP66
IMPACT RESISTANCE	IK10
STORAGE TEMPERATURE	-22°F to 140°F (-30°C to 60°C)

H4W4PER2

WDR 4 MP IR Rugged Mini Dome Camera





D79G>3FADK	
7? :EE:A@E	FCC Part 15B, EN 55032
;? ? G@FK	EN 50130-4
E387FK	EU: EN 60950-1 North America UL listed to UL/CSA 60950-1
DA: E	EN 50581

RECOMMENDED ACCESSORIES

SYSTEM COMPATIBILITY	
HEN*4	8/16/32/64-channel Focus 4K NVRs (H.264/H.265)
HEN*2	4/8/16-channel Performance Series NVRs (H.264)

* Pre-installed storage (TB).

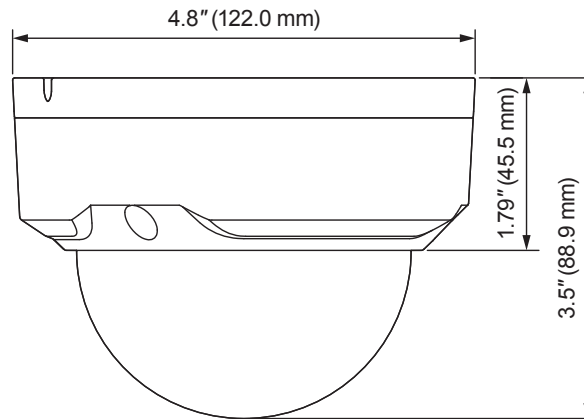
** The HQA-BB2 junction box must be used when installing the camera to HQA-PM2 or HB34S2-CM.

SYSTEM COMPATIBILITY	
HQA-WK	 Wall Mount
HQA-PM2**	 Pole Mount Bracket
HB34S2-CM**	 Corner Mount Bracket
HQA-BB2	 Junction Box

ORDERING

H4W4PER2	Network WDR 4 MP IR Rugged Mini Dome Camera, 1/3" CMOS, 2.7-13.5 mm MFZ, 2 IR LEDs, PoE, H.265+
----------	-------------------------------------------------------------------------------------------------

DIMENSIONS



© 2020 Honeywell International Inc.

H4W4PER2
WDR 4 MP IR Rugged
MINI DOME CAMERA

Honeywell

CDG | Computer Peripheral and Supplies Ltd.

Computer Peripheral and Supplies Ltd.
244 Soi Pattanakarn 53, Pattanakarn, Suanluang,
Bangkok 10250 Thailand

Contact Us

Tel : (66) 0-2322-9535, 0-2722-4040
Fax : (66) 0-2322-7990
E-Mail : sales.dept@cps.co.th
Web site : www.cps.co.th, www.facebook.com/cps.co.th

More Details

Scan Here
LINE ID
Need more
Information

