



# SM-5300

## PC Based System Scale Printer

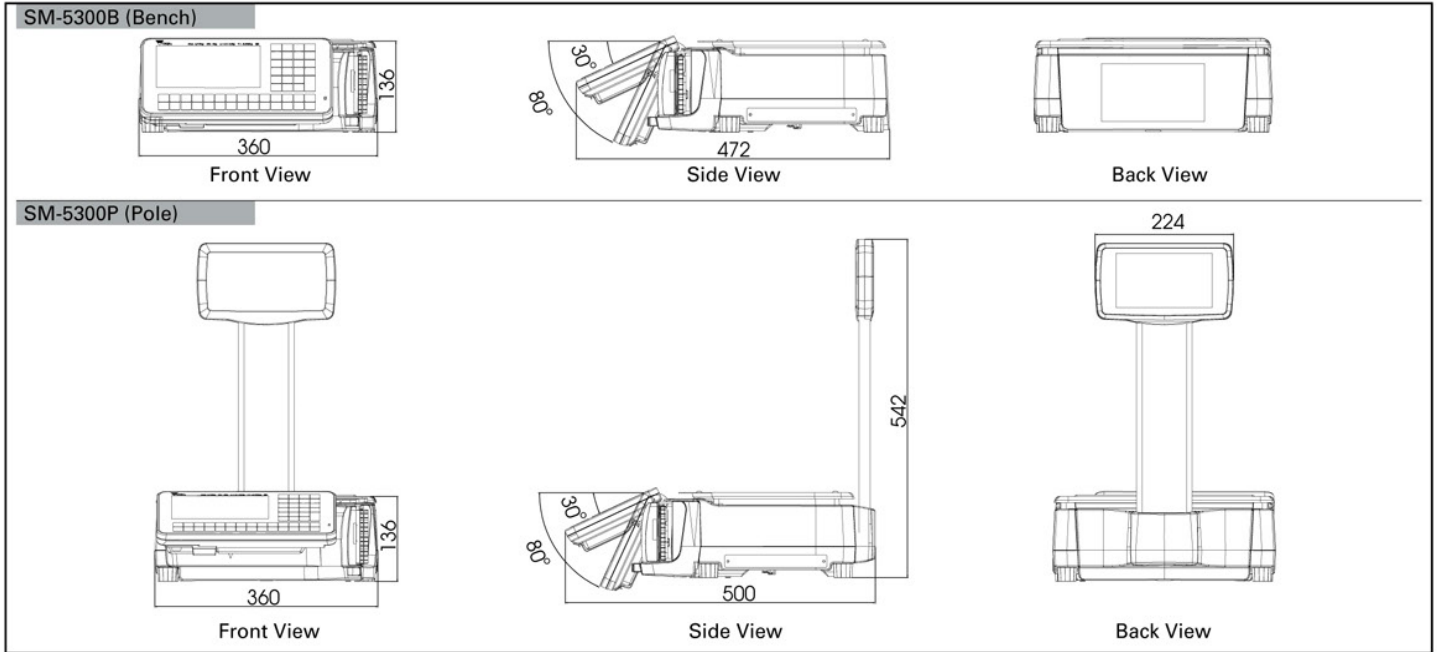
Economy, Efficiency And Eco-Friendly



SM-5300P

*Searching for  
a New Balance*

## Dimension (mm)



## Specifications

Capacity		Max 6kg	Max 15kg / 30lb
Single Interval	1 / 3,000	e = 2g	e = 5g / 0.01lb
	1 / 6,000	e = 1g	e = 2g
Capacity		Max 3 / 6kg	Max 6 / 15kg
Multi Interval	1 / 3,000	e = 1 / 2g	e = 2 / 5g

Model	SM-5300B (Bench)	SM-5300P (Pole)	
Dimension (mm)	360(W) x 472(D) x 136(H)	360 (W) x 500(D) x 542(H)	
Operator Display	7" WVGA with Touch (800 x 480)	○	
Customer Display	7" WVGA (800 x 480)	○	
Display Resolution	1 / 3,000 & 1 / 6,000		
Number of Keys	28 Preset Keys / 23 Alphanumeric Function Keys		
CPU	Single Core 1GHz		
Memory	RAM 512 MB & Flash 1 GB		
Label/Receipt	Types	Liner	Liner Less
	Roll Diameter	125mm (Max)	105mm (Max)
	Paper Width	56mm	56mm
	Print Length	240mm (Max)	240mm (Max)
	Printing Speed	100 - 120mm / second*	100mm / second*
	Print Resolution	200 dpi	200 dpi
Power Source	AC 100 / 110 or 220 / 230 / 240 Volts (50 / 60 Hz) Factory Default		
Operating Temperature	- 10°C to + 40°C		
Humidity	15% to 85% RH		
Standard Interface	Ethernet 10 / 100 Base T, 4 x USB 2.0 Host		
Net Weight	11.5 kg	11.8 kg	

Options	USB WLAN IEEE 802.11 a / b / g / n
Factory Option	Liner Less Printer with Auto-Cutter

\*To achieve maximum print speed, high sensitivity thermal paper is necessary. Contact DIGI for details.



CE • Specifications are subject to change without prior notice  
• Meet or exceed OIML Class III requirements

**CDG** | Computer Peripheral and Supplies Ltd.

**Computer Peripheral and Supplies Ltd.**

244 Soi Pattanakarn 53, Pattanakarn, Suanluang, Bangkok 10250 Thailand

### Contact Us

Tel : (66) 0-2322-9535, 0-2722-4040

Fax : (66) 0-2322-7990

E-Mail : sales.dept@cps.co.th

Web site : www.cps.co.th, www.facebook.com/cps.co.th

### More Details

Scan Here

LINE ID

Need more

Information



## InfoTag Electronic Signage

Promotional messages, product information and pricing can be displayed on the InfoTag through easy connection with SM-5300 via a wireless base station.

- Wireless Update
- Price Integrity
- Minimum Human Intervention



## Scale Management Application

Our scale management application makes it easy to manage Price Look-Up (PLU) data and preset key allocation from a centralised location.

Reduce time spent to check individual scale status as status update is just a few clicks away.

## Traceability, Security & Networking Capabilities

Protection from unauthorised manipulation and access is taken care by features such as:

- Audit Trail
- Date and Time Stamp
- Price Override Lock
- Password Protection
- Wireless Network Security (WPA / WEP / LEAP)

The supported network interfaces provide the option of connection via:

- Ethernet 10/100 Based T(TCP / IP)
- Wireless LAN IEEE.802.11 a / b / g / n



## Interactive Customer Display

The SM-5300 comes with a 7" WVGA customer display that is capable to show effective advertisement to boost sales.

- Up Sell
- Cross Sell
- Recipes
- Promotion
- Advertisement



7" WVGA Customer Display

## Sales Training & Product Information

Equip your sales staff with a wealth of experience by supporting them with advertising content, cross-selling, sales training and consumer advice.

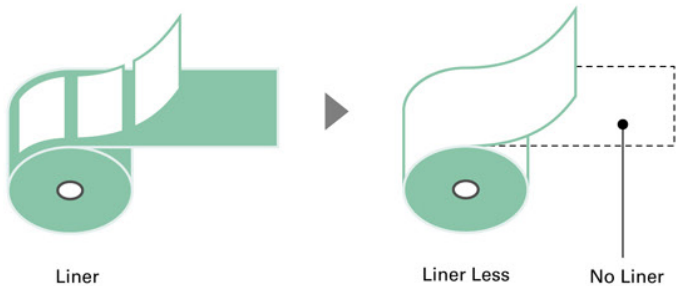
Ramp up your sales by enhancing your service!



# Liner Less Labels Allow Variable Length And Print Formats

## Liner Less Labeling

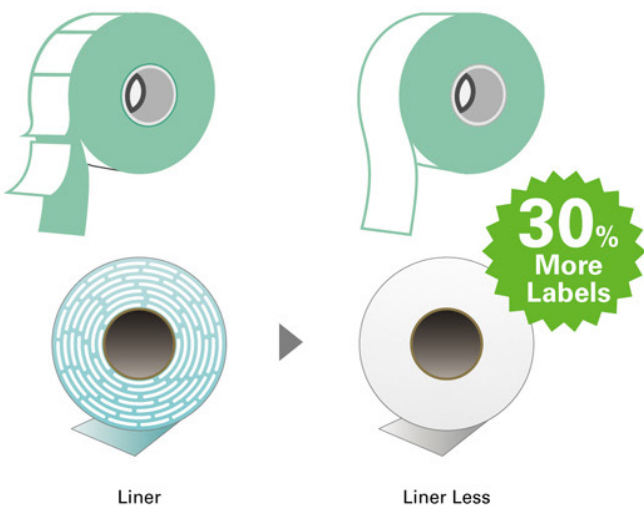
The SM-5300 offers the liner less functionality that reduces waste, downtime and improve productivity.



### Economical, Efficient & Eco-Friendly

Without the liner, the number of labels per roll will be increased significantly. Operational period is lengthened with few pauses for label changing downtime.

- Reduce Label Wastage
- Eco-Friendly
- Increase Operation Efficiency



### One Label Fits All

Only 1 type of label is required since our printer automatically detects the label size required to suit different needs. This reduces the storage space as well as logistic cost.

## World's First Auto-Cutter Weigh Labeller

The world's first weigh-labeller with built-in auto-cutter ensures a smooth cut even after long term use. The SM-5300 prints labels of variable lengths and sizes from a single roll of label.



- Attractive Label
- Reduce Label Cost
- Reduce Logistic Cost



## Remote Diagnostic Functions

Remote diagnostic and troubleshooting capabilities allow users to monitor scale performance remotely without compromising the down time by sending technician to site.

This in turn translates to time and cost saving to the customer.

