



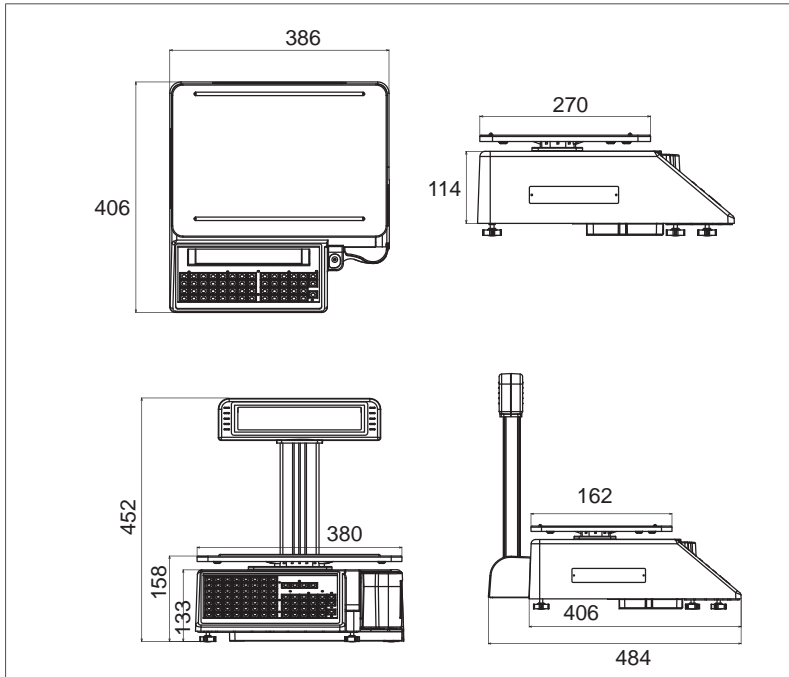
SM-320

Scale Printer



Searching for
a New Balance

External Dimensions (mm)



Customer Display



Basic Specifications

Model	SM-320B	SM-320P
Dimensions(mm)	386 X 406 X 159	386 X 484 X 452
Number of preset keys	32 keys	56 keys
Capacity	single interval	3kg/1g 6kg/2g 12kg/2g 15kg/5g 30kg/10g
	multi interval	3/6kg:1/2g 6/15kg:2/5g 15/30kg:5/10g
Memory	2M(PLU number 8300) , 4M(PLU number 18000) or 8M(PLU number 38000)	
Display resolution	1/3,000	
Display	202x32 pixels FSTN type LCD with back-light Tare Weight display:4digits Weight display:5digits Unit Price display:6digits Total Price display:7digits Second line display: 25 characters	
Printing	Max. printing width: 56mm Paper width:58mm(receipt) / 56mm(label) Printing speed:Max 105mm/sec Life span: 100 million pulses,100km or more Resolution: 448 dots(8 dot/mm)	
Power source	AC 176V ~ 264V, 47~63Hz	
Operating temperature	-10°C~40°C	
Operating humidity	15%~85%RH	
Interface	AC receptacle RS232C,Cash drawer,ETHERNET	

*Specifications are subject to change without prior notice.

*Specifications are subject to change without prior notice.

CDG | Computer Peripheral and Supplies Ltd.

Computer Peripheral and Supplies Ltd.

244 Soi Pattanakarn 53, Pattanakarn, Suanluang, Bangkok 10250 Thailand

Contact Us

Tel : (66) 0-2322-9535, 0-2722-4040

Fax : (66) 0-2322-7990

E-Mail : sales.dept@cps.co.th

Web site : www.cps.co.th, www.facebook.com/cps.co.th

More Details

Scan Here

LINE ID

Need more

Information

