

**DENSO**

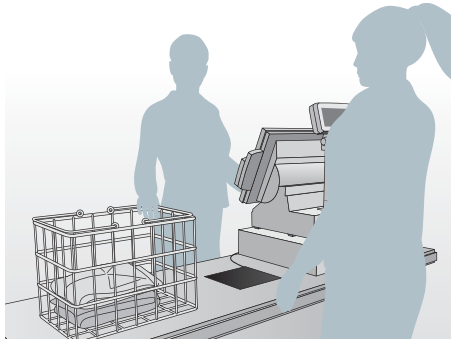
RFID table scanner®

# UR21-MS-01



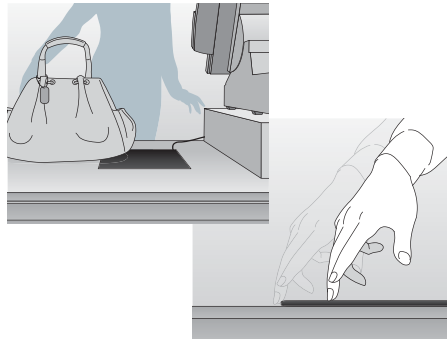
Ultra-thin stationary scanner that  
can be installed anywhere





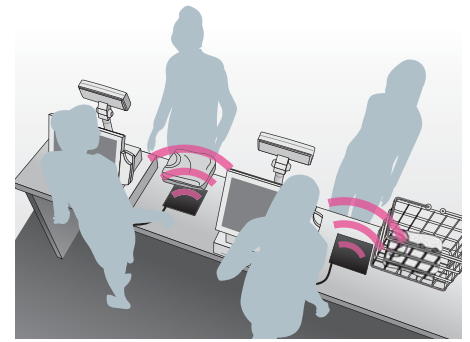
### To eliminate checkout queues

No need to manually read RF tags one after another. Checkout procedure can be completed quickly by just scanning products on the counter.



### No worry about caught because of thin antenna Improve work efficiency by reducing unnecessary space

The combination of a small controller and a thin antenna eliminates problems in finding an installation location. A dedicated antenna fixture, which is useful in installing the antenna, is also offered.

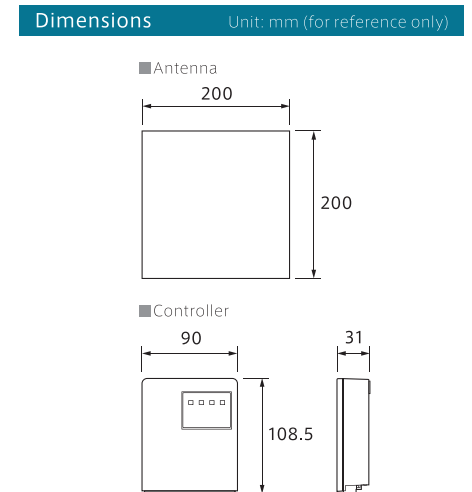


### No need to worry about reading products on adjacent checkout counters

The communication range is approximately 80 cm, which is ideal for the environment for POS registers. To prevent reading RF tags of products on adjacent checkout counters, the communication range can be adjusted arbitrarily according to the use environment.

Specification			
Model		(RS-232C/USB Model) UR21-MS-01*	
Scanner	RFID	Readable and recordable RF tag	ISO/IEC18000-63 TypeC(EPCglobal Class1 Gen2)-supported Tag
		Frequency	EU (865.7~867.5 MHz), Australia (918.25-925.75 MHz), China (920.625-924.375 MHz), USA/CANADA (915.25-927.5 MHz), Taiwan (922.25-927.75 MHz), Thailand/Hong Kong/Singapore (920.25-924.75 MHz), Korea (917.3-920.3 MHz), Indonesia (923.25-924.75 MHz), Vietnam (918.25-922.75 MHz), Malaysia (919.25-922.75 MHz), Philippines (918.25-919.75 MHz), Russia (866.1-867.5 MHz)
		Channel width/number of channels	EU (600 kHz/ 4ch), Australia (500 kHz/ 16ch), China (250 kHz/ 16ch), USA/CANADA (250 kHz/ 50ch), Taiwan (500 kHz/ 12ch), Thailand/Hong Kong/Singapore (500 kHz/ 10ch), Korea (600 kHz/ 6ch), Indonesia (500 kHz/ 4ch), Vietnam (500 kHz/ 10ch), Malaysia (500 kHz/ 8ch), Philippines (500 kHz/ 4ch), Russia (200 kHz/ 8ch)
		Transmission output	EU (18.9dBmERP), Australia (21dBmEIRP), China (18.9dBmERP), USA/CANADA (21dBmEIRP), Taiwan (18.9dBmERP), Thailand/Hong Kong (21dBmEIRP), Singapore (18.9dBmERP), Korea (21dBmEIRP), Indonesia (18.9dBmERP), Vietnam (18.9dBmERP), Malaysia (18.9dBmERP), Philippines (18.9dBmERP), Russia (18.9dBmERP)
		Modulation method	PR-ASK
		Transmission rate	40 kbps
		Scanning distance <sup>2</sup>	0~1300 mm(Avery Dennison AD-237r6), AD-229r6
		Output adjustment	8 levels
		LED indication function	PW: power supply (green), COM (red), ANT1 (orange), ANT2 (orange) 4 total
Interface	RS-232C(D-SUB 9P), USB(mini USB B Type)		
Power	Power supply	Custom AC adapter(100 V)	
	Current consumption	1300 mA MAX(excluding inrush current)	
Operating temperature	0~40°C		
Dimensions	Controller:90 × 108.5 × 31 mm / Antenna:200 × 200 × 17.5 mm		
Weight	Controller:Approx.130 g / Antenna:Approx.250 g		

\*1: Do not connect antennas, controllers, and cables that are not specified by DENSO Wave. The use of such antennas, controllers, and cables may result in violation of the Radio Act; the user may be punished under the act.  
\*2: The communication distance differs depending on the target tag. The communication distance is subject to change depending on the conditions in the actual environment.



### Components

- Controller (URCT-M21)
- Antenna (URAN-S1)
- Rear cover (lock nuts included in package)
- Safety Precautions

### Software

Control Command DLL File

This file can be downloaded for free from QB Direct on our Website.

### Options

- Antenna URAN-S1