

DENSO

FIXED TYPE SCANNER

NEW

QK30
SERIES

Scans smartphone displays!
Mobile QR code/barcode scanner



2D code model
Stationary type QK30-U
Built-in type QK31-U
Built-in type QK31-R



Enables a wide range of applications, from connection to point-of-sale terminals to incorporation in multi-media terminals and entrance gates.

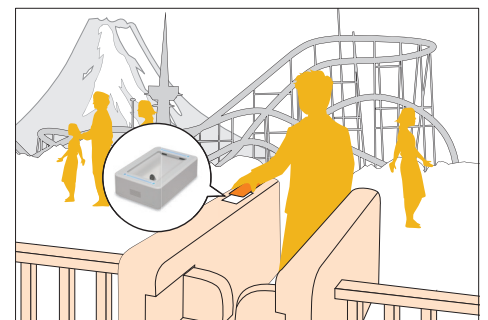
Contributes to effectively attracting customers and promoting sales using mobile coupons, mobile membership cards and mobile tickets.



Mobile coupon



Mobile membership card



Mobile ticket

Feature 1

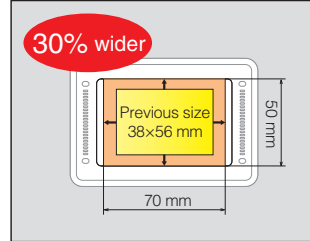
Perfect fit for scanning mobile QR codes and bar codes
Enables high-speed scanning of QR codes displayed on LCD screens. Excellent scanning performance for codes printed on paper, too.



* If protective film is affixed to the LCD screen, code scanning performance may be affected.

Feature 2

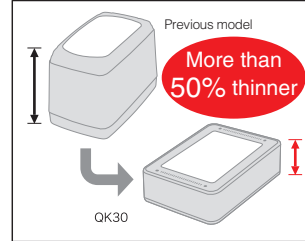
Can scan codes displayed on large-screen smartphones
30% increase in scanning area from the previous model enables easier scanning.



* When scanning codes displayed on an LCD screen

Feature 3

Compact design
More than 50% thickness reduction compared to the previous model further enhances mountability.



Feature 4

Stylish design
Sophisticated design suitable for use with smart devices.



QK30 series specifications

Type		Stationary type		Built-in type	
Model		QK30-U		QK31-U	
Scanner	Readable codes	2D code: QR code, micro QR code, SQRC, iQRcode, PDF417, microPDF, DataMatrix, Aztec, GS1 DataBar Composite (EAN.UCC Composite), MaxiCode			
		Barcode: EAN-13/-8 (JAN-13/-8), UPC-A/-E, UPC/EAN (with add-on), Interleaved 2 of 5 (ITF), Standard 2 of 5 (STF), CODABAR (NW-7), CODE39, CODE93, CODE128, GS1-128 (EAN-128), GS1 DataBar (RSS)			
	Minimum resolution	2D code			0.25 mm
		Barcode			0.18 mm
Scanning area		70 mm x 50 mm			
Focusing point		7 mm*1			
Scan confirmation		LED in three colors: Blue/Red/Green, speaker			
Communication interface	Method	USB 1.1-compliant (COM, HID)*2			RS-232C
	Connector	USB connector: type A (with an integrated cable)		USB connector: type B (with a detachable cable)	Mini-DIN connector (with a detachable cable)
	Cable length	1.5 m		1.4 m (Sold separately)	1.5 m (Sold separately)
Power	Power	Supply from host device*3			
Environment requirements	Security level	IPX2		-	
	Operating temperature	-5~50°C			
	Operating humidity	10-90% RH (non-condensing/non-freezing)			
Weight		250 g (incl. cable weight)		170 g (excl. cable weight)	

*1: Height from dust-proof plate

*2: Two systems are supported: USB keyboard interface and USB-COM interface. When using in USB-COM interface mode, please download the USB driver from the DENSO WAVE website (free of charge).

*3: Please check the connection beforehand because this type of connection may not be possible depending on the model of the PC or USB hub.

Product configuration

Accessories

- Scanner
- Operation Guide
- Instruction manual [PDF](#)

Software

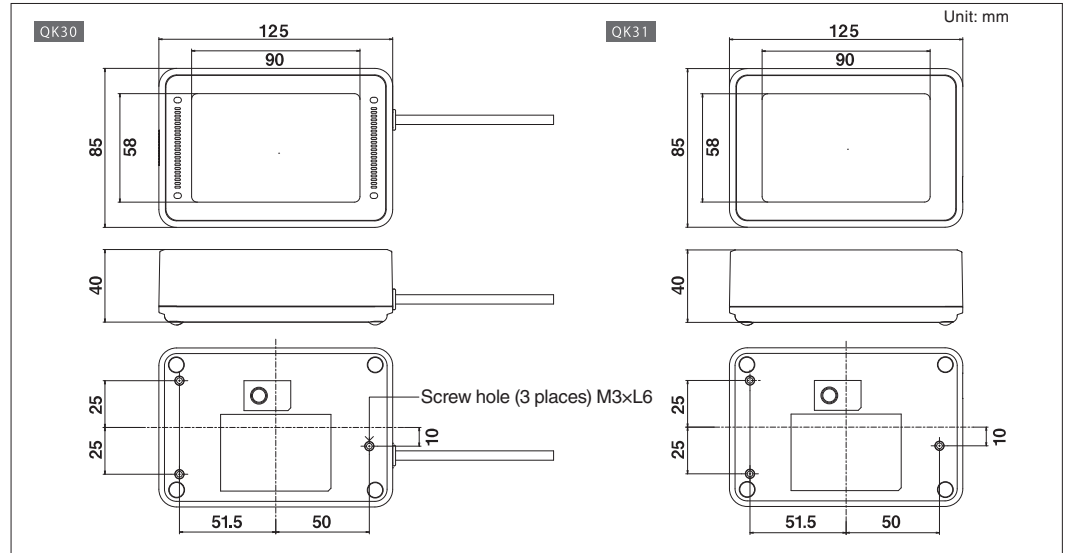
- Driver [PDF](#)
(Active USB-COM port driver)
- Setting Software
(Scanner Setting 2D) [PDF](#)

Option

- USB cable for QK31-U (1.4 m)
- RS-232C cable for QK31-R (1.5 m)

[PDF](#) Items with this mark are available from the company's homepage (QDirect) free of charge.

Dimensions



To use this product safely

- Before using this product, please read its User's Manual thoroughly for correct use.