

DENSO

Automatic Data Capture

[AT27Q Healthcare Scanner]



High performance Bluetooth[®] scanning for healthcare and pharmaceutical environments



Mobile Scanning

Lightweight design, easy-to-grip handle and wireless Bluetooth connectivity



Easy to Clean

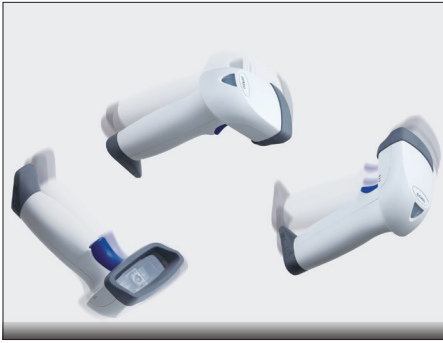
Wipe down with a variety of solutions common to healthcare*



Robust Battery Life

Battery operation up to 28 hours allows the user to work a full day

*Visit DENSO-ADC.com for a list of recommended cleaning solutions.



Tough and Reliable

Shock-absorbing construction with IP54 dust-and water-resistance perfect for medical needs



Bluetooth Adapter

BA20-RU: USB and Serial communication accessory, for ease of deployment/enhanced efficiency, not required

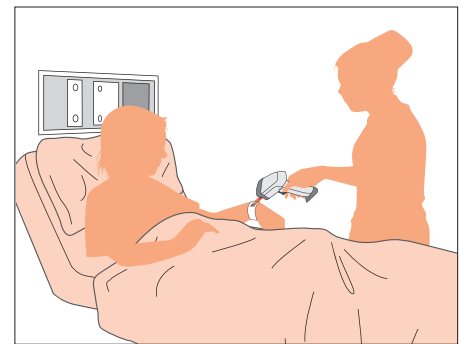


Charging Cradle

CH-AT10L cradle conveniently charges the scanner battery and includes a compartment for the BA20 adapter

Scanner Specifications	
Model Number	AT27Q-SB
Communication Interface	Bluetooth Ver. 2.1 + EDR based class 2
Scanner	
Method	Area Sensor
Readable 2D Codes	QR Code, Micro QR Code, SQRC, iQR, DataMatrix (ECC200), PDF417, MicroPDF417, Maxi code, Aztec, GS1 DataBar Composite (EAN.UCC Composite)
Readable 1D Barcodes	EAN-13/8 (JAN-13/8), UPC-A/E, UPC/EAN (with add-on), Interleaved 2 of 5 (ITF), Standard 2 of 5 (STF), CODABAR (NW-7), CODE39, CODE93, CODE128, GS1-128 (EAN-128), GS1 DataBar (RSS)
Minimum resolution 2D Codes	0.167mm
Minimum resolution 1D Barcodes	0.125mm
Marker	Area Guide
Angle	±50°
Skew Angle	360°
Image Capture	BMP, JPEG, thumbnail view
Scanning Confirmation	LED Light (blue, green and red) and Sound (three-level volume and tone control)
Power	
Source / Operating Time	Exclusive Battery (SB-10L) / 28 hours*
Operating Environment	
IP Rating	IP54 (Dust- protected, water-splashed protected)
Temperature Range	-5° to 50°C
Humidity	10 to 90% RH (non-condensing)
Illumination	0 to 10,000 lx (fluorescent lamp in daytime)
Drop Test (1)	1.8m height to a concrete floor on each of 6 sides
Physical Characteristics	
Weight	Approx. 200g

*Lasts up to 28 hours with one reading pass over a 5s period.
All specifications subject to change without notice.



A Trusted Solution for Medical Professionals

Easily and accurately scan 1D and 2D codes on patient bracelets, medical files, pill bottles and more. Ideal for a variety of healthcare and pharmaceutical spaces.



Software

- Keyboard interface software (QR_kbif)
- Scanner Setting 2D
- BA Setting
- SQRC® Setting -read next generation QR codes with hidden and encrypted secondary layers of secured data.

More Details



CDG | Computer Peripheral and Supplies Ltd.

Computer Peripheral and Supplies Ltd.

244 Soi Pattanakarn 53, Pattanakarn, Suanluang, Bangkok 10250 Thailand

Contact Us

Tel : (66) 0-2322-9535, 0-2722-4040

Fax : (66) 0-2322-7990

E-Mail : sales.dept@cps.co.th

Web site : www.cps.co.th, www.facebook.com/cps.co.th

DENSO
Automatic Data Capture

DENSO ADC | 3900 Via Oro Avenue, Long Beach, CA 90810 | 888-MY-DENSO (888-693-3676) | sales@denso-adc.com | www.DENSO-adc.com

SQRC is a registered trademark of DENSO Wave, Inc. Bluetooth is a registered trademark of Bluetooth SIG Inc. | ADC-AT27Q Healthcare-PS-0421

DENSO

HANDY SCANNER

AT20 SERIES



2D code model

■ LED marker type

AT20Q-SM (White)

AT21Q-SM (Black)

NEW AT21Q-HM (high resolution)

■ Laser guide marker type

AT25Q-SM (White)

AT26Q-SM (Black)

AT27Q-SB(Bluetooth®)



Barcode model

AT20B-SM (White)

AT21B-SM (Black)



Improved readability

Readable from any direction (360°)

※Only 2D code model



Lightweight

Compact

Easy to use and less straining for anyone
Compact, lightweight body -
Highest level in the class



2.0m

You do not have to worry about accidental falls.
Survive a 2 m drop -
Highest level in the class



GLOBAL
PRODUCTS



Reliable
5-year
warranty

(only for the main unit, excluding cables and batteries)
The warranty does not apply to AT27Q-SB.

※ For global use of the Bluetooth model, please contact us.



Bluetooth® model

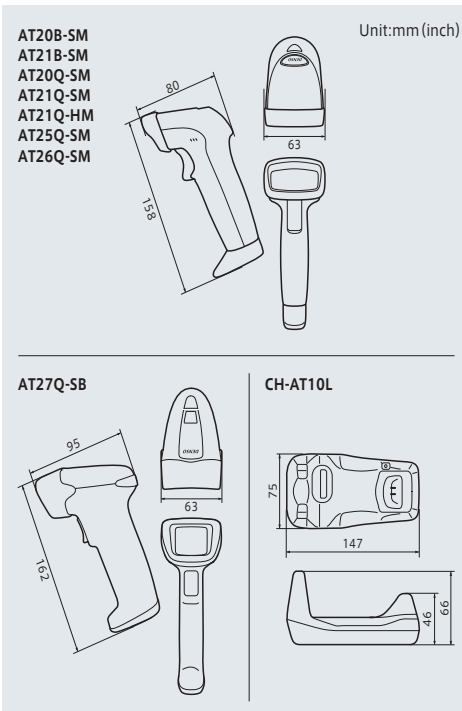
AT27Q-SB

AT20 series specifications

		Barcode model				2D Code mode										
						LED marker type					Laser guide marker type					
Type		AT20B-SM(R)	AT20B-SM(U)	AT21B-SM(R)	AT21B-SM(U)	AT20Q-SM(R)	AT20Q-SM(U)	AT21Q-SM(R)	AT21Q-SM(U)	AT21Q-HM(R)	AT21Q-HM(U)	AT25Q-SM(R)	AT25Q-SM(U)	AT26Q-SM(R)	AT26Q-SM(U)	AT27Q-SB ^{*1}
Scanner	Method	Advanced Scan Plus (CCD)				Area Sensor										
	Readable codes	2D Code	-				QR code, Micro QR code, SQRC, iQR, Data Matrix (ECC200), PDF417, Micro PDF417, Maxi code, Aztec, GS1 Composite									
		Barcode	EAN-13/8 (JAN-13/8), UPC-A/E, UPC/EAN (with add-on), Interleaved 2 of 5 (ITF), Standard 2 of 5 (STF), CODABAR (NW-7), CODE32, CODE39, CODE93, CODE128, GS1-128 (EAN-128), GS1 Databar (RSS), MSI, Plessey				EAN-13/8 (JAN-13/8), UPC-A/E, UPC/EAN (with add-on), Interleaved 2 of 5 (ITF), Standard 2 of 5 (STF), CODABAR (NW-7), CODE39, CODE93, CODE128, GS1-128 (EAN-128), GS1 Databar (RSS)									
	Minimum resolution	2D Code	-				0.167mm		0.125mm		0.167mm					
		Barcode	0.125mm				0.10mm		0.125mm							
	Marker		-				LED marker					Area guide marker				
	Angle		±50°													
Skew angle		360°														
Image capture		BMP, JPEG output, thumbnail view														
Scanning confirmation		Confirmation LED (Blue, Green, Red), Buzzer (with 3-level volume control and 3-level tone control)														Confirmation LED(Blue,Green, Red, Orange), Buzzer (with 3-level volume control and 3-level tone control)
Communication interface	Method	RS-232C	USB (COM, HID) ^{*2}	RS-232C	USB (COM, HID) ^{*2}	RS-232C	USB (COM, HID) ^{*2}	RS-232C	USB (COM, HID) ^{*2}	RS-232C	USB (COM, HID) ^{*2}	RS-232C	USB (COM, HID) ^{*2}	RS-232C	USB (COM, HID) ^{*2}	Bluetooth Ver 2.1+EDR based class2
	Connector	Dsub-9S	USB connector (A type)	Dsub-9S	USB connector (A type)	Dsub-9S	USB connector (A type)	Dsub-9S	USB connector (A type)	Dsub-9S	USB connector (A type)	Dsub-9S	USB connector (A type)	Dsub-9S	USB connector (A type)	-
	Profile	-														
	Cable	2m straight cable														
Power		Exclusive AC adapter	Supplied from the connection target	Exclusive AC adapter	Supplied from the connection target	Exclusive AC adapter	Supplied from the connection target	Exclusive AC adapter	Supplied from the connection target	Exclusive AC adapter	Supplied from the connection target	Exclusive AC adapter	Supplied from the connection target	Exclusive AC adapter	Supplied from the connection target	Exclusive battery (SB-10L)
	Operating time ^{*3}	-					-					28 hours				
Environment requirements	Dust-proof, Drip-proof	IP42														
	Drop impact resistance ^{*4}	2.0 m/0.2 m × 100,000 times														
	Operating humidity	10 to 90% RH (without dew)														
	Operating temperature	-5~50°C														
	Operating illumination	0 to 10,000 lx (Fluorescent lamp in daytime)														
Enclosure color	White		Black		White		Black		White		Black		White			
Weight (excl. cable)	Approx. 105 g (excl. cable)				Approx. 110 g (excl. cable)								Approx. 200 g (incl. battery)			

*1: External case of the Bluetooth model is a different with the wired model. *2: Two methods are supported: a USB keyboard interface and a USB-COM interface. The factory default is a USB keyboard interface (Using new and fully charged battery). *3: With one reading pass over a 5 s period. *4: These are test values, but not guaranteed values.

Dimensions



Product configuration

Accessories

2D code model· 1D barcode model (standard type)

- Scanner
- Interface cable
- AC adaptor (Only for RS-232C model with AC adaptor)
- Operation Guide

[Instruction manual](#)

Bluetooth® model

- Scanner (Including battery SB-10L)
- Recharger (CH-AT10L)
- AC adapter
- Hang Strap
- Operation Guide

[Instruction manual](#)

※ Bluetooth communication unit (BA11-RKU) is separately sold

[Items with this mark can be downloaded on our webpages for free.](#)

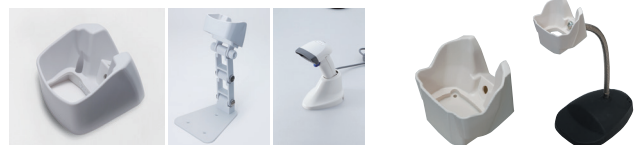
Optional accessories (Separately sold)

2D code model· 1D barcode model (RC-232, USB I/F type)

- Stand [S-AT20 (White)] [S-AT21 (Black)]
- Hands-free stand [H-AT20 (White)] [H-AT21 (Black)] [H-AT20-2 (White)]

Bluetooth® model

- Stand [S-AT10]
- Hands-free stand [H-AT10]
- Bluetooth communication unit to communicate with Non Bluetooth device [BA11-RKU]



Note: BA11-RKU support 4 I/F types. Please refer to our website for more information.

Software

- [USB driver \[Active USB-COM port driver\]](#)
- [Setting software \[Scanner Setting \(for barcode models\)\] \[Scanner Setting 2D \(for 2D code models\)\] \[BA Setting \(for BA11-RKU\)\]](#)
- [Keyboard emulation software \[QR_kbf3.0\]](#)

• QR Code, SQRC, and Advanced Scan are registered trademarks of DENSO WAVE Incorporated.
• Appearance and specifications may be changed without prior notice for improvement.
• Data on this catalog are as of July 2014.

DENSO WAVE INCORPORATED

CDG | Computer Peripheral and Supplies Ltd.

Computer Peripheral and Supplies Ltd.
244 Soi Pattanakarn 53, Pattanakarn, Suanluang,
Bangkok 10250 Thailand

Contact Us

- [facebook.com/cps.co.th](https://www.facebook.com/cps.co.th)
- Tel. 02-7224040 Ext.9
- sales.dept@cps.co.th
- www.cps.co.th

Follow Us

- [CPS](#)
- Other
- Tel : (66) 0-2322-9535
- Fax : (66) 0-2322-7990

More Details

