

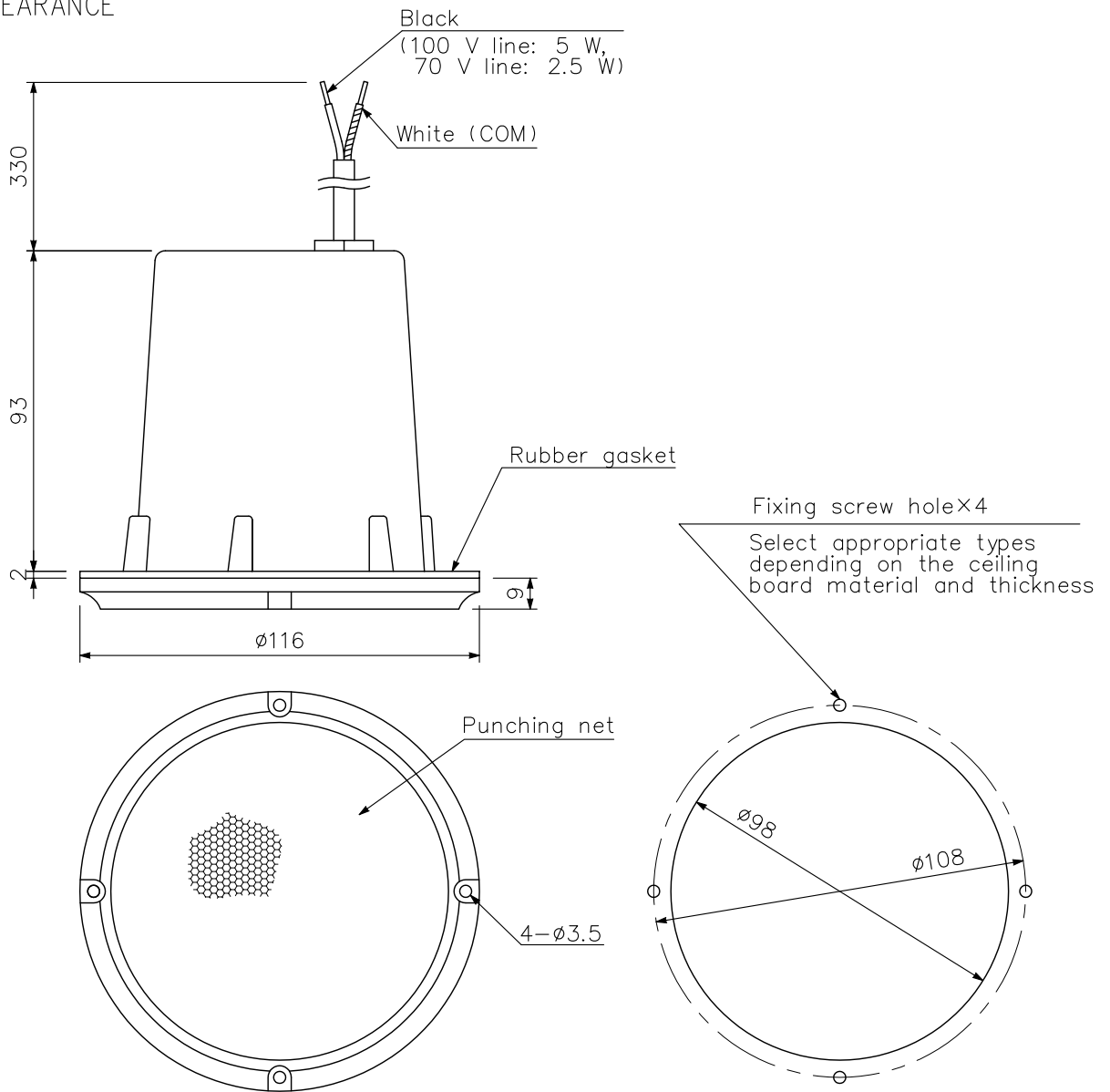
DESCRIPTION

Full-range 8 cm, 2 kΩ/5 W speaker with sealed rear chamber, and high-molecular substance speaker vibration section to prevent floating dust particles from contaminating medical, chemical, or IC/photo film production.

SPECIFICATIONS

| | |
|-----------------------------|------------------------------------------------------------------------------------------------------------------------------------------------|
| Rated Power | 5 W |
| Rated Impedance | 100 V line: 2 kΩ (5 W), 70 V line: 2 kΩ (2.5 W) |
| Sensitivity | 87 dB (1 W, 1 m) |
| Frequency Response | 150 Hz - 20 kHz |
| Enclosure | Completely sealed type |
| Speaker Component | 8 cm cone-type (vibration section : high molecular substance) |
| Operating Temperature | -20 °C to +55 °C |
| Dust Particle Prevention | No dust particle is produced by the method set out in JIS B-9926. |
| Finish | Panel : Alloy-coated ABS resin Enclosure : ABS resin, off-white Punching net : Stainless steel Exposed fixing screw : Stainless steel |
| Dimensions | ø116 X 110 (D) mm |
| Weight | 620 g |
| Dimensions for Fixing Holes | ø98 mm |
| Accessory | Fixing gasket *1, Ceiling mounting screws (Material:Stainless steel) *4 |

APPEARANCE



UNIT:mm SCALE:1/2

Dimension diagram for fixing holes