

DESCRIPTION

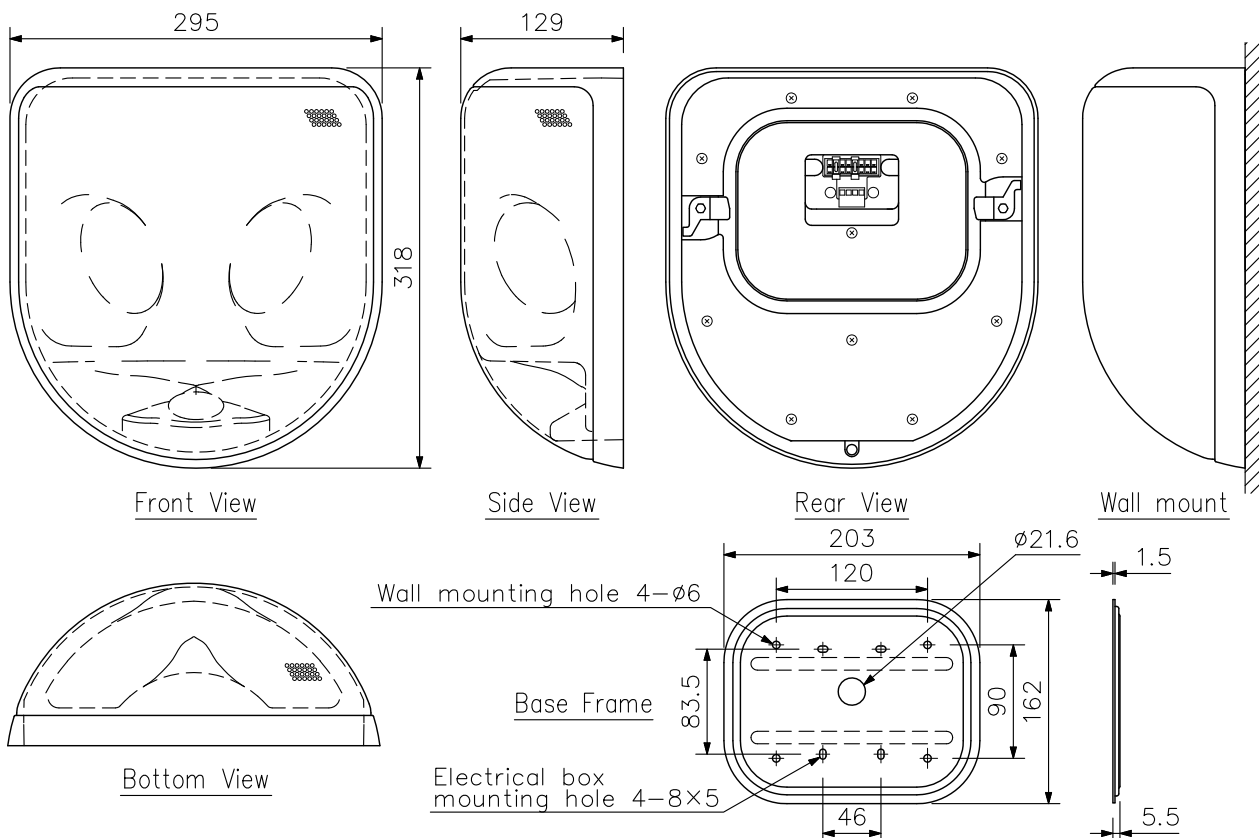
The H-3WP is a wall-mountable, outdoor 2-way speaker that provides horizontally-wide dispersion.

SPECIFICATIONS

Enclosure	Sealed type
Power Handling Capacity	150 W (Continuous program/8 Ω) 50 W (Continuous pink noise/8 Ω)
Rated Input	30 W (16 Ω, high impedance)
Rated Impedance	8 Ω, 16 Ω 100 V line: 330 Ω (30 W), 670 Ω (15 W), 1.3 kΩ (7.5 W) 70 V line: 170 Ω (30 W), 330 Ω (15 W), 670 Ω (7.5 W), 1.3 kΩ (3.75 W)
Sensitivity	89 dB (1 W, 1 m) at installation in 1/2 free sound field (Measured by installing the unit in the center of a wall.)
Frequency Response	100 Hz – 20 kHz (–10 dB) at installation in 1/2 free sound field (Measured by installing the unit in the center of a wall.)
Crossover Frequency	4 kHz
Water Protection	IPX4
Speaker Component	Low frequency: 10 cm cone-type × 2 High frequency: 2.5 cm dome-type (neodymium magnet)
Input Terminal	Detachable screw terminal, (+)/(-) 2 each (for bridging connection)
Usable Cable	Solid cable, stranded cable: 0.2 – 2.5 mm ² (AWG No.24 – 14)
Installation Environment	Indoor installation, under-eave installation (*1)
Finish	Enclosure: Fire-resistant ABS resin, black Front frame: Fire-resistant ABS resin, off-white, paint Punched net: Steel plate (zinc plating), off-white, powder coating Base frame: Stainless steel
Dimensions	295 (W) × 318 (H) × 129 (D) mm
Weight	3.3 kg
Accessory	Front grille1, Base frame1, Electrical box mounting screw1 set
Usable Electrical Box	2-gang type

(*1) Avoid installing the speaker in locations close to the seashore or in indoor swimming facilities that are not well ventilated. In such locations, the bracket may be vulnerable to corrosion, eventually allowing the speaker to fall resulting in personal injury.

APPEARANCE



Note: Be sure to mount this speaker under eaves wherever possible to prevent direct exposure to rain and wind. Failure to follow this instruction could cause the speaker to exceed its capabilities as a splash-proof speaker, potentially leading to malfunction.

UNIT:mm SCALE:1/6