

■DESCRIPTION

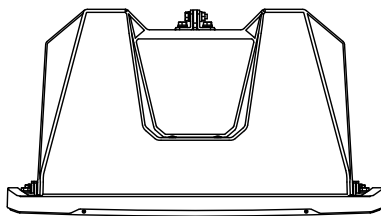
The HX-7B is a 2-way compact speaker system that permits both constant directivity control over a wide frequency range and changes in vertical directivity. Its adopted wave front control technology is ideal for reproducing clear sound in spaces with long reverberation times or high background noise. The HX-7B is designed for indoor use.

■SPECIFICATIONS

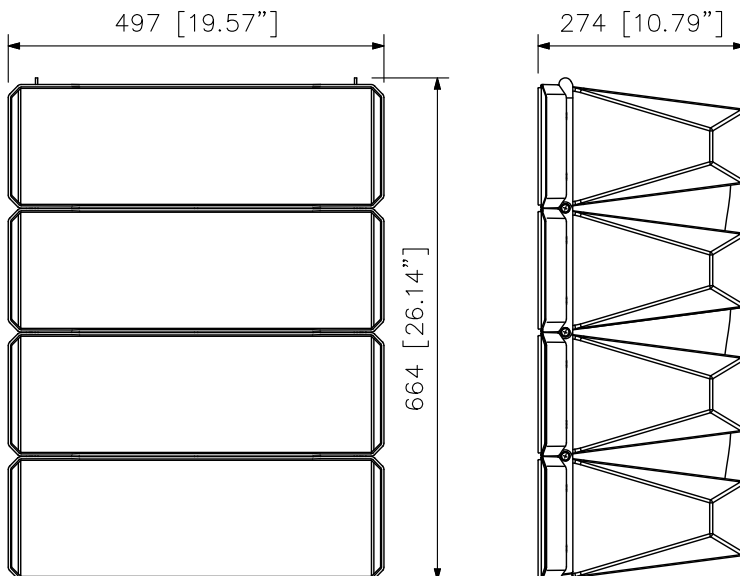
Enclosure	Bass-reflex type
Power Handling Capacity	Continuous pink noise: 250 W (IEC60268-5: 350 W) Continuous program: 750 W
Rated Impedance	8 Ω
Sensitivity	100 dB (1 W, 1 m)
Frequency Response	75 Hz - 20 kHz
Crossover Frequency	1.7 kHz
Directivity Angle	Horizontal: 100° Vertical: Depending on directivity angle mode
Speaker Component	Low frequency: 13 cm (5.5") cone-type × 8 High frequency: Wave front control horn with compression driver × 4
Input Terminal	Speakon NL4MPXX × 2 and M4 screw terminal, distance between barriers: 9 mm (0.35")
Finish	Enclosure: Polypropylene, black Punched net: Surface-treated steel plate, black, paint Hanging bracket: Steel plate, t3.0, black, paint
Dimensions	497 (W) × 664 (H) × 274 (D) mm (19.57" × 26.14" × 10.79")
Weight	30 kg (66.14 lb)
Accessory	Hanging bracket L, R (L and R are symmetrical to each other.) ×1 each, Hanging bracket mounting bolt ×4
Option	Matching transformer: MT-200 (*1) Matching transformer adapter: HY-MT7 Speaker mounting bracket: HY-60DB, HY-CN7B, HY-PF7B, HY-VM7B, HY-WM7B (*2), HY-C0801 (*2) Speaker stand adapter: HY-ST7

(\*1) When mounting the MT-200 Matching Transformer to the speaker, an optional HY-MT7 Matching Transformer Adapter is required.  
(\*2) HY-VM7B Speaker Mounting Bracket is separately required.

■APPEARANCE (Factory-preset: 0° mode)

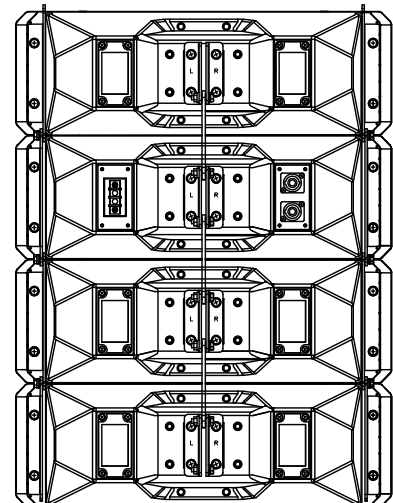


Top View



Front View

Side View

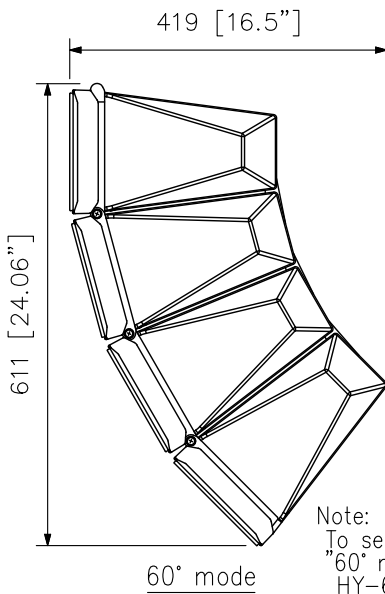
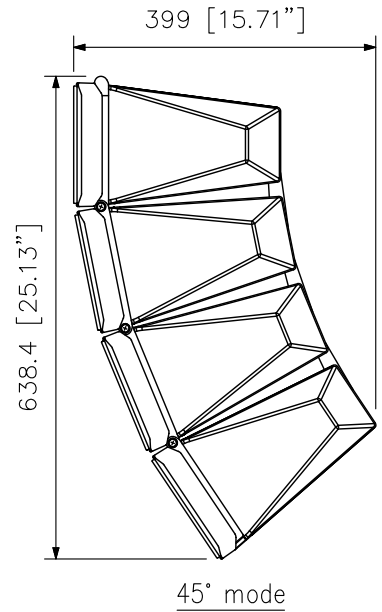
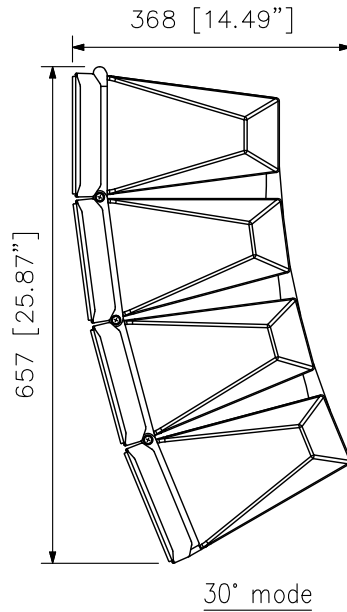
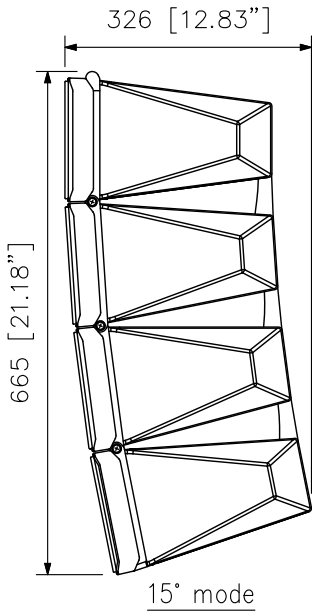


Rear View

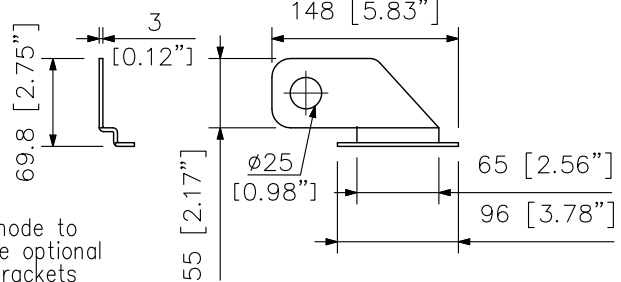
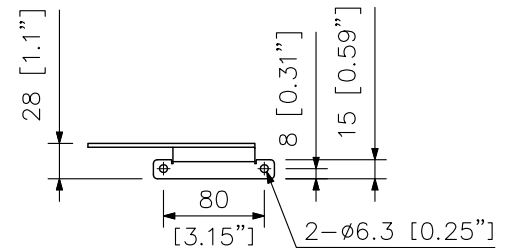
UNIT:mm SCALE:1/10

■ APPEARANCE

Example for directivity angle modes

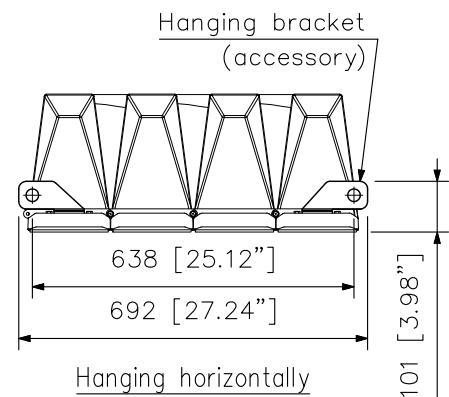
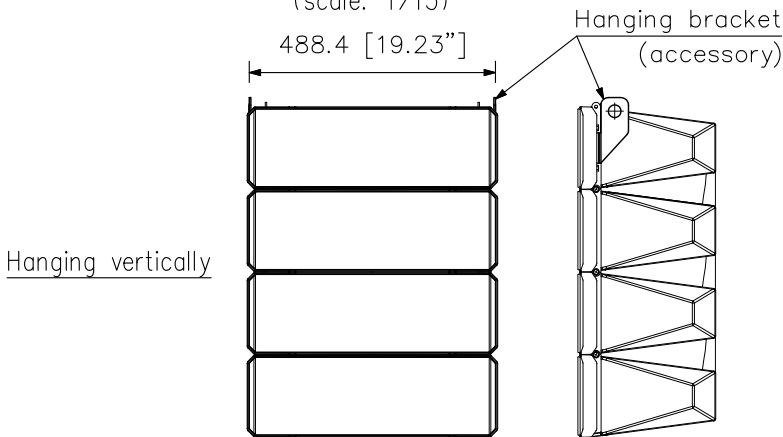


Note:  
To set the speaker angle mode to "60° mode," 3 pieces of the optional HY-60DB Speaker Angle Brackets are required.



Enlarged figure for the hanging bracket (accessory)  
(scale: 1/6)

Example for hanging bracket mounting  
(scale: 1/15)



UNIT:mm SCALE:1/10