

LB10-UC06-FD Cabinet speaker 6W flat black

www.boschsecurity.com



BOSCH
Invented for life



- ▶ Good speech intelligibility and background music reproduction
- ▶ ABS construction
- ▶ Mounting brackets for wall or ceiling mounting
- ▶ Complies with international installation and safety regulations

The LB10-UC06-FD is a 6 W, general-purpose, cost-effective loudspeaker for indoor use. Keyholes at the rear are provided for quick and easy wall mounting. Two brackets, that can be fixed to the rear panel, are also provided as an option for quick and easy mounting on a wall or ceiling applications.

Functions

The enclosure is made of robust, solid ABS (acrylonitrile butadiene styrene).

Certifications and approvals

Quality assurance

All Bosch loudspeakers are designed to withstand operating at their rated power for 100 hours in accordance with IEC 60268-5 Power Handling Capacity (PHC) standards. Bosch has also developed the Simulated Acoustical Feedback Exposure (SAFE) test to demonstrate that they can withstand two times their rated power for short durations. This ensures improved reliability under extreme conditions, leading

to higher customer satisfaction, longer operating life, and lessens the chance of failure or performance deterioration.

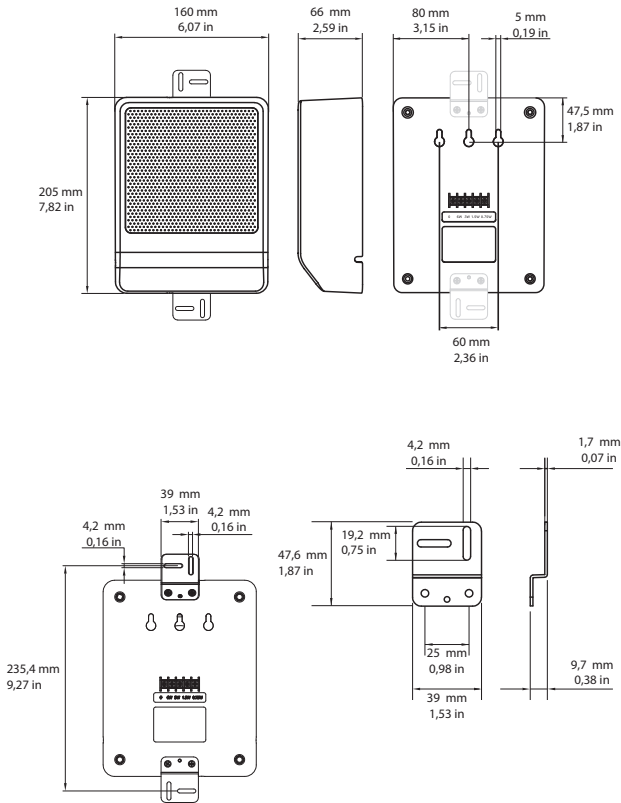
Safety acc. to EN 62368-1

Installation/configuration notes

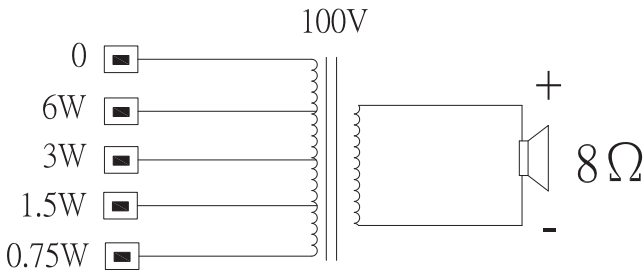
Three keyholes in the rear panel provide easy and quick wall mounting.

Two mounting brackets are also provided as an options for easy and quick installation to wall and ceiling applications.

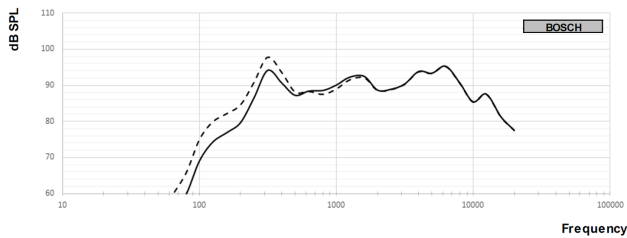
A convenient, easy-to-use, four-pole screw terminal block is on the rear panel for on-site wiring. This terminal block has provision for power tapping on the 100 V, matching transformer in the cabinet. It allows selection of nominal full-power, half-power or quarter-power radiation (in 3 dB steps).



LB10-UC06-Fx dimensions

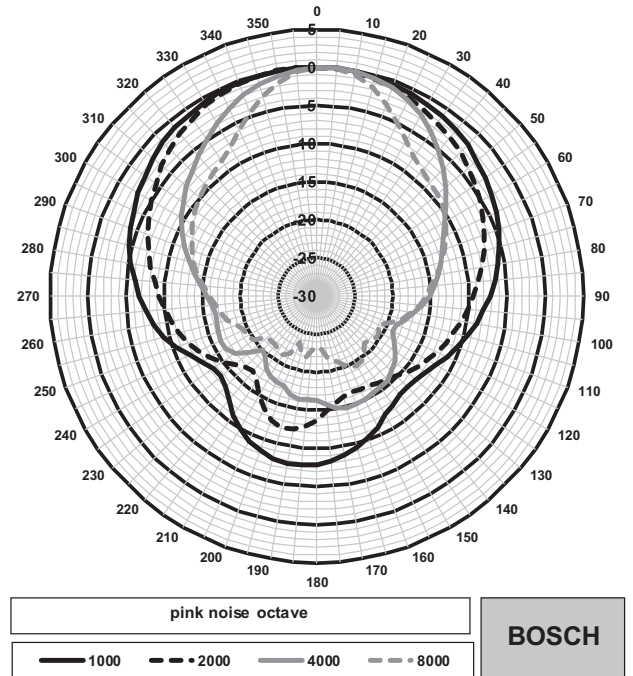


Circuit diagram

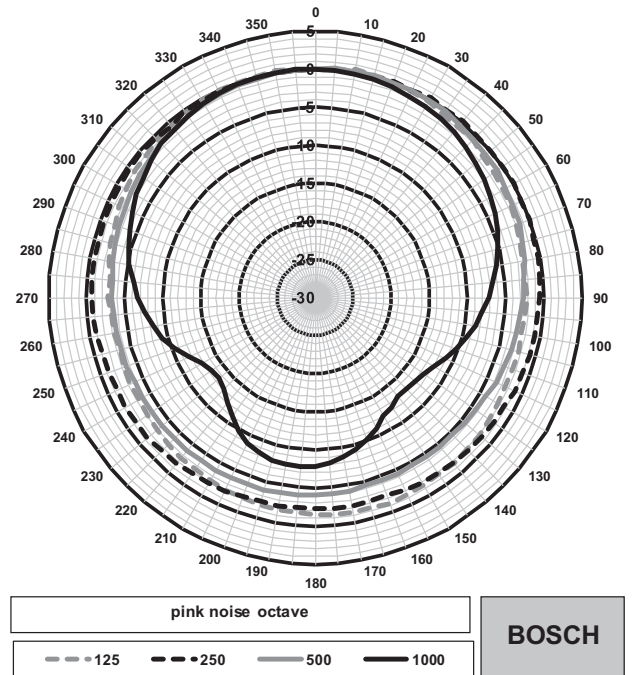


Frequency response

— Full-space measurement result
- - - Half-space measurement result



Polar diagram horizontal (high frequency). Normalized at 0 degrees axis.



Polar diagram horizontal (low frequency). Normalized at 0 degrees axis.

Parts included

Quantity	Component
1	LB10-UC06-FD Cabinet loudspeaker 6W flat black
1	Installation instruction

Technical specifications**Electrical***

Rated power	6 / 3 / 1.5 / 0.75 W
Sound pressure level at 6 W / 1 W (1 m)	99 dB / 91 dB (SPL)
Effective frequency range	145 Hz to 18 kHz (-10 dB)
Opening angle	1 kHz / 4 kHz (-6 dB)
horizontal	168° / 89°
vertical	168° / 89°
Rated input voltage	100 V
Rated impedance	1667 ohm
Connector	4-pole screw terminal block

* Technical performance data acc. to IEC 60268-5 (half space)

Mechanical

Dimensions (H x W x D)	205 mm x 160 mm x 66 mm (7.82 in x 6.07 in x 2.69 in)
Weight	0.83 kg (1.83 lb)
Color	Black (RAL 9004)

Environmental

Operating temperature	-25 °C to +55°C (-13 °F to +131 °F)
Storage and transport temperature	-40 °C to +70 °C (-40 °F to +158 °F)
Relative humidity	<95%

Ordering information**LB10-UC06-FD Cabinet speaker 6W flat black**

Cabinet loudspeaker 6 W, ABS enclosure, finished in black, supplied with mounting brackets for wall or ceiling mounting.

Order number **LB10-UC06-FD**

Represented by:

Europe, Middle East, Africa:
Bosch Security Systems B.V.
P.O. Box 80002
5600 JB Eindhoven, The Netherlands
Phone: + 31 40 2577 284
emea.securitysystems@bosch.com
emea.boschsecurity.com

Germany:
Bosch Sicherheitssysteme GmbH
Robert-Bosch-Ring 5
85630 Grasbrunn
Germany
www.boschsecurity.com

North America:
Bosch Security Systems, Inc.
130 Perinton Parkway
Fairport, New York, 14450, USA
Phone: +1 800 289 0096
Fax: +1 585 223 9180
onlinehelp@us.bosch.com
www.boschsecurity.us

Asia-Pacific:
Robert Bosch (SEA) Pte Ltd, Security Systems
11 Bishan Street 21
Singapore 573943
Phone: +65 6571 2808
Fax: +65 6571 2699
apr.securitysystems@bosch.com
www.boschsecurity.asia