

## DS-K1T8003F Fingerprint Access Control Terminal



- 2.4-inch LCD Display Fingerprint Access Control Terminal
- Communication: TCP/IP, ISUP5.0; 1000 users, 1000 fingerprints and Max. 100,000 event records
- Support Access Control and Time Attendance Function, Optical Fingerprint Module
- Remotely opens door via Hik-Connect mobile client; Tamper alarm.

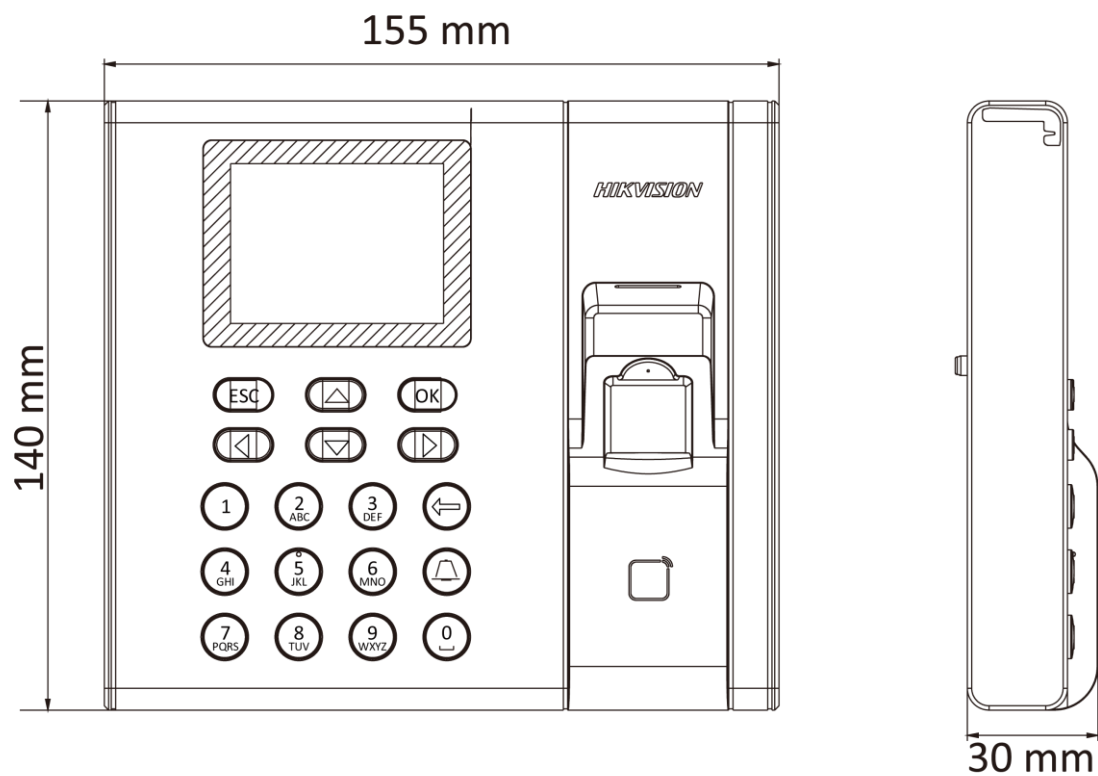
## ▪ Specification

<b>Display</b>	
Screen size	2.4-inch
Type	LCD-TFT display screen
<b>Audio</b>	
Audio output	1 loudspeaker, 1 buzzer
<b>Network</b>	
Wired network	TCP/IP, 10/100Mbps, self-adaptive
Communication protocol	TCP/IP, ISUP
<b>Interface</b>	
Network interface	1
Lock control	1
Exit button	1
Door contact input	1
TAMPER	1
USB	1
<b>Capacity</b>	
Fingerprint capacity	1000
Event capacity	100,000
<b>Authentication</b>	
Fingerprint module	Optical fingerprint module
Fingerprint comparing mode	1:1 and 1:N
Fingerprint recognition duration	< 1 s
<b>General</b>	
Power supply	12 VDC/1 A
Working temperature	-10 °C to +55 °C (14 °F to +131 °F)
Working humidity	10% to 90% (no condensing)
Color	Silver
Dimensions	140 mm × 155 mm × 30 mm (5.51" × 6.01" × 1.18")
Self Service Reports (SSR)	Stand-alone operation, calculate attendance data and export reports via USB interface
Installation	Wall mounting
Weight	Gross weight: 0.78 kg (1.72 lbs) Net weight: 0.22 kg (0.48 lbs)

## ▪ Available Model

DS-K1T8003F

▪ Dimension



**Headquarters**

No.555 Qianmo Road, Binjiang District,  
Hangzhou 310051, China  
T +86-571-8807-5998  
www.hikvision.com



Follow us on social media to get the latest product and solution information.

