

## DS-2CD2T86G2-2I/4I 8 MP IR Fixed Bullet Network Camera

 AcuSense



- 1/1.8" Progressive Scan CMOS
- 3840 × 2160 @ 20fps
- 2.8/4/6 mm fixed lens
- 120dB WDR
- Powered by DarkFighter
- H.265+, H.265, H.264+, H.264
- Built-in micro SD/SDHC/SDXC card slot, up to 256 GB
- IP67
- **Human and vehicle classification alarm** based on deep learning.

### AcuSense

Empowered by deep learning algorithms, Hikvision AcuSense technology brings human or vehicle target classification alarms to front- and back-end devices. The system can greatly reduce false alarms generated by targets other than humans or vehicles, vastly improving alarm efficiency and effectiveness.



## Specifications

| Camera  |  |
|---|--|
| Image Sensor  | 1/1.8" Progressive Scan CMOS   |
| Min. Illumination   | Color: 0.003 Lux @ (F1.6, AGC ON), 0 Lux with IR   |
| Shutter Speed   | 1/3 s to 1/100,000 s   |
| Slow Shutter  | Yes  |
| Day & Night   | IR Cut Filter  |
| WDR   | 120 dB   |
| Angle Adjustment  | Pan: 0° to 360°, tilt: 0° to 90°, rotate: 0° to 360°   |
| Lens  |  |
| Lens Type   | Fixed lens, 2.8/4/6 mm   |
| Aperture  | F1.6   |
| FOV   | 2.8 mm, horizontal FOV: 110.7°, vertical FOV: 59.1°, diagonal FOV: 131°<br>4 mm, horizontal FOV: 87.1°, vertical FOV: 47.4°, diagonal FOV: 101.8°<br>6 mm, horizontal FOV: 50.8°, vertical FOV: 27.6°, diagonal FOV: 60° |
| Lens Mount  | M16  |
| Illuminator   |  |
| IR Range  | -2I: up to 60 m<br>-4I: up to 80 m   |
| Wavelength  | 850 nm   |
| Video   |  |
| Max. Resolution   | 3840 × 2160  |
| Main Stream   | 50Hz: 20fps (3840 × 2160, 3072 × 1728), 25fps (2688 × 1520, 1920 × 1080, 1280 × 720)<br>60Hz: 20fps (3840 × 2160, 3072 × 1728), 30fps (2688 × 1520, 1920 × 1080, 1280 × 720)   |
| Sub-Stream  | 50Hz: 25fps (640 × 480, 640 × 360, 320 × 240)<br>60Hz: 30fps (640 × 480, 640 × 360, 320 × 240)   |
| Third Stream  | 50Hz: 25fps (1280 × 720, 640 × 480, 640 × 360, 320 × 240)<br>60Hz: 30fps (1280 × 720, 640 × 480, 640 × 360, 320 × 240)   |
| Video Compression   | Main stream: H.265+/H.264+/H.265/H.264<br>Sub-stream: H.265/H.264/MJPEG<br>Third stream: H.265/H.264   |
| H.264 Type  | Baseline Profile/Main Profile/High Profile   |
| H.265 Type  | Main Profile   |
| Video Bit Rate  | 32 Kbps to 16 Mbps   |
| Scalable Video Coding (SVC)   | H.264 and H.265 encoding support   |
| * When the main stream resolution is 3840 × 2160, max frame rate is 20 fps for all streams. |  |
| Smart Feature-Set   |  |
| Perimeter Protection  | Line crossing detection, intrusion detection, region entrance detection, region exiting detection (Human&Vehicle classification)   |
| Basic Event   | Motion detection, video tampering alarm, exception (network disconnected, IP address conflict, illegal login, HDD full, HDD error), scene change detection   |

|                                  |  |
|----------------------------------|--|
| Linkage Method                   | Upload to FTP/NAS/memory card, notify surveillance center, send email, trigger recording, trigger capture  |
| Region of Interest               | 1 fixed region for main stream, sub-stream and third stream  |
| <b>Image</b>                     |  |
| Image Enhancement                | BLC, HLC, 3D DNR   |
| Image Setting                    | Saturation, brightness, contrast, sharpness, AGC and white balance adjustable by client software or web browser  |
| Day/Night Switch                 | Day/Night/Auto/Schedule  |
| <b>Network</b>                   |  |
| Network Storage                  | microSD/SDHC/SDXC card (256 GB), local storage and NAS (NFS,SMB/CIFS), ANR   |
| Protocols                        | TCP/IP, ICMP, HTTP, HTTPS, FTP, DHCP, DNS, DDNS, RTP, RTSP, PPPoE, NTP, UPnP, SMTP, SNMP, IGMP, 802.1X, QoS, IPv6, UDP, Bonjour, SSL/TLS   |
| API                              | ONVIF (PROFILE S, PROFILE G), ISAPI, SDK   |
| Security                         | Password protection, complicated password, HTTPS encryption, 802.1X authentication (EAP-MD5), watermark, IP address filter, basic and digest authentication for HTTP/HTTPS, WSSE and digest authentication for ONVIF, TLS1.2   |
| Simultaneous Live View           | Up to 6 channels   |
| User/Host                        | Up to 32 users, 3 levels: administrator, operator and user   |
| Client                           | iVMS-4200, Hik-Connect, Hik-Central  |
| Web Browser                      | Plug-in required live view: IE8+, Chrome 41.0-44, Firefox30.0-51, Safari8.0-11<br>Plug-in free live view: Chrome 57.0+, Firefox 52.0+  |
| <b>Interface</b>                 |  |
| Communication Interface          | 1 RJ45 10M/100M self-adaptive Ethernet port  |
| On-board storage                 | Built-in micro SD/SDHC/SDXC slot, up to 256 GB   |
| <b>General</b>                   |  |
| Web Client Language              | 32 languages<br>English, Russian, Estonian, Bulgarian, Hungarian, Greek, German, Italian, Czech, Slovak, French, Polish, Dutch, Portuguese, Spanish, Romanian, Danish, Swedish, Norwegian, Finnish, Croatian, Slovenian, Serbian, Turkish, Korean, Traditional Chinese, Thai, Vietnamese, Japanese, Latvian, Lithuanian, Portuguese (Brazil) |
| General Function                 | Anti-flicker, three streams, heartbeat, mirror, privacy masks, pixel counter   |
| Reset                            | Reset via reset button on camera body, web browser and client software   |
| Startup and Operating Conditions | -30 °C to 60 °C (-22 °F to 140 °F), humidity 95% or less (non-condensing)  |
| Storage Conditions               | -30 °C to 60 °C (-22 °F to 140 °F), humidity 95% or less (non-condensing)  |
| Power Supply                     | 12 VDC ± 25%, Φ 5.5 mm coaxial power plug; reverse polarity protection; PoE (802.3af, class 3)   |
| Power Consumption and Current    | -2I: 12 VDC, 0.63 A, max. 7.5 W; PoE (802.3af, 36 V to 57 V), 0.25 A to 0.16 A, max. 9 W<br>-4I: 12 VDC, 0.88 A, max. 10.5 W; PoE (802.3af, 36 V to 57 V), 0.34 A to 0.21 A, max. 12 W   |
| Material                         | Metal  |
| Dimensions                       | Camera: Φ 105 × 290 mm (Φ 4.1" × 11.4")<br>With package: 386 × 156 × 155 mm (15.2" × 6.1" × 6.1")  |

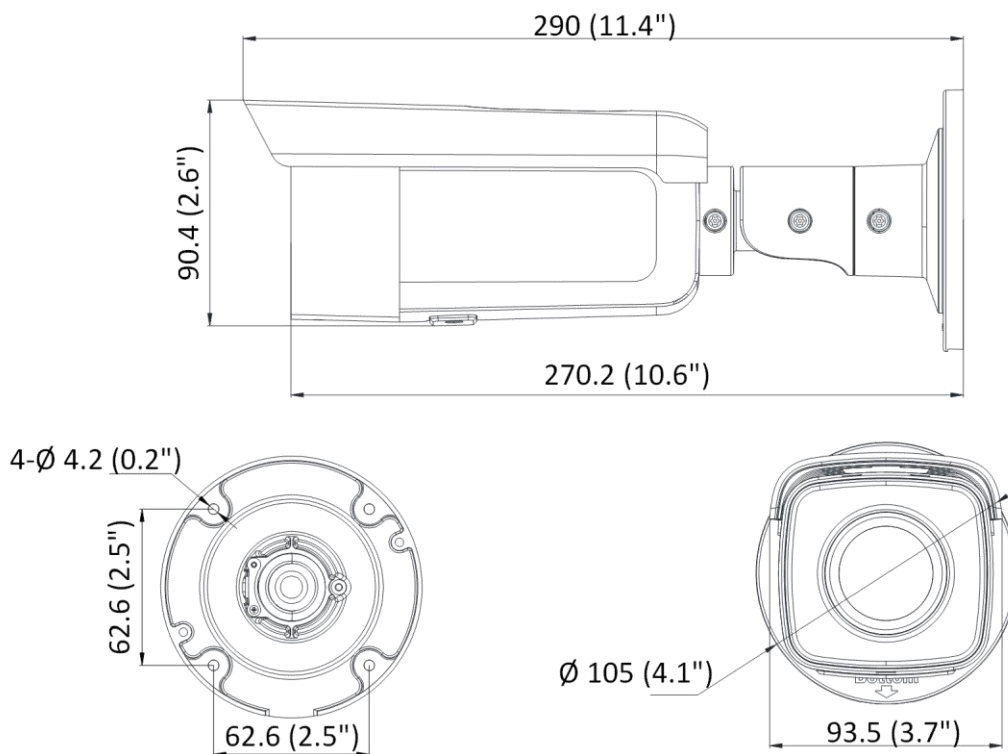
|                 |  |
|-----------------|--|
| Weight          | Camera: approx. 1270 g (2.8 lb.)<br>With package: approx. 1510 g (3.3 lb.)   |
| <b>Approval</b> |  |
| EMC             | FCC (47 CFR Part 15, Subpart B); CE-EMC (EN 55032: 2015, EN 61000-3-2: 2014, EN 61000-3-3: 2013, EN 50130-4: 2011 +A1: 2014); RCM (AS/NZS CISPR 32: 2015); IC (ICES-003: Issue 6, 2016); KC (KN 32: 2015, KN 35: 2015) |
| Safety          | UL (UL 60950-1); CB (IEC 60950-1:2005 + Am 1:2009 + Am 2:2013); CE-LVD (EN 60950-1:2005 + Am 1:2009 + Am 2:2013); BIS (IS 13252(Part 1):2010+A1:2013+A2:2015); LOA (IEC/EN 60950-1)                                    |
| Chemistry       | CE-RoHS (2011/65/EU); WEEE (2012/19/EU); Reach (Regulation (EC) No 1907/2006)  |
| Protection      | Ingress protection: IP67 (IEC 60529-2013)  |

\* Listed resolutions are only selectable options. It does not mean that all streams can work at their maximum resolution at the same time.

## Available Model

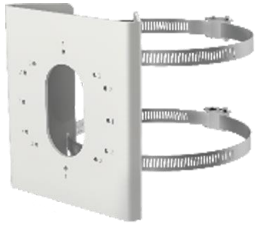
- DS-2CD2T86G2-2I (2.8 mm)
- DS-2CD2T86G2-2I (4 mm)
- DS-2CD2T86G2-2I (6 mm)
- DS-2CD2T86G2-4I (2.8 mm)
- DS-2CD2T86G2-4I (4 mm)
- DS-2CD2T86G2-4I (6 mm)

## Dimension

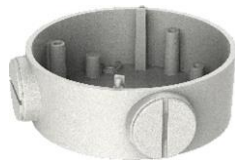


Unit: mm(inch)

**Accessory**



**DS-1275ZJ-S-SUS**  
Vertical pole mount



**DS-1260ZJ**  
Junction box



**DS-1276ZJ-SUS**  
Corner mount



**DS-1280ZJ-S**  
Junction box

Distributed by

**HIKVISION®****Headquarters**

No.555 Qianmo Road, Binjiang District,  
Hangzhou 310051, China  
T +86-571-8807-5998  
overseasbusiness@hikvision.com

**Hikvision USA**  
T +1-909-895-0400  
sales.usa@hikvision.com

**Hikvision Australia**  
T +61-2-8599-4233  
salesau@hikvision.com

**Hikvision India**  
T +91-22-28469900  
sales@pramahikvision.com

**Hikvision Canada**  
T +1-866-200-6690  
sales.canada@hikvision.com

**Hikvision Thailand**  
T +662-275-9949  
sales.thailand@hikvision.com

**Hikvision Europe**  
T +31-23-5542770  
sales.eu@hikvision.com

**Hikvision Italy**  
T +39-0438-6902  
info.it@hikvision.com

**Hikvision Brazil**  
T +55 11 3318-0050  
Latam.support@hikvision.com

**Hikvision Turkey**  
T +90 (216)521 7070- 7074  
sales.tr@hikvision.com

**Hikvision Malaysia**  
T +601-7652-2413  
sales.my@hikvision.com

**Hikvision UK & Ireland**  
T +01628-902140  
sales.uk@hikvision.com

**Hikvision South Africa**  
Tel: +27 (10) 0351172  
sale.africa@hikvision.com

**Hikvision France**  
T +33(0)1-85-330-450  
info.fr@hikvision.com

**Hikvision Kazakhstan**  
T +7-727-9730667  
nikia.panfilov@hikvision.ru

**Hikvision Vietnam**  
T +84-974270888  
sales.vt@hikvision.com

**Hikvision UAE**  
T +971-4-4432090  
salesme@hikvision.com

**Hikvision Singapore**  
T +65-6684-4718  
sg@hikvision.com

**Hikvision Spain**  
T +34-91-737-16-55  
info.es@hikvision.com

**Hikvision Tashkent**  
T +99-87-1238-9438  
uzb@hikvision.ru

**Hikvision Hong Kong**  
T +852-2151-1761  
info.hk@hikvision.com

**Hikvision Russia**  
T +7-495-669-67-99  
saleru@hikvision.com

**Hikvision Korea**  
T +82-[0]31-731-8817  
sales.korea@hikvision.com

**Hikvision Poland**  
T +48-22-460-01-50  
info.pl@hikvision.com

**Hikvision Indonesia**  
T +62-21-2933759  
Sales.Indonesia@hikvision.com

**Hikvision Colombia**  
sales.colombia@hikvision.com