

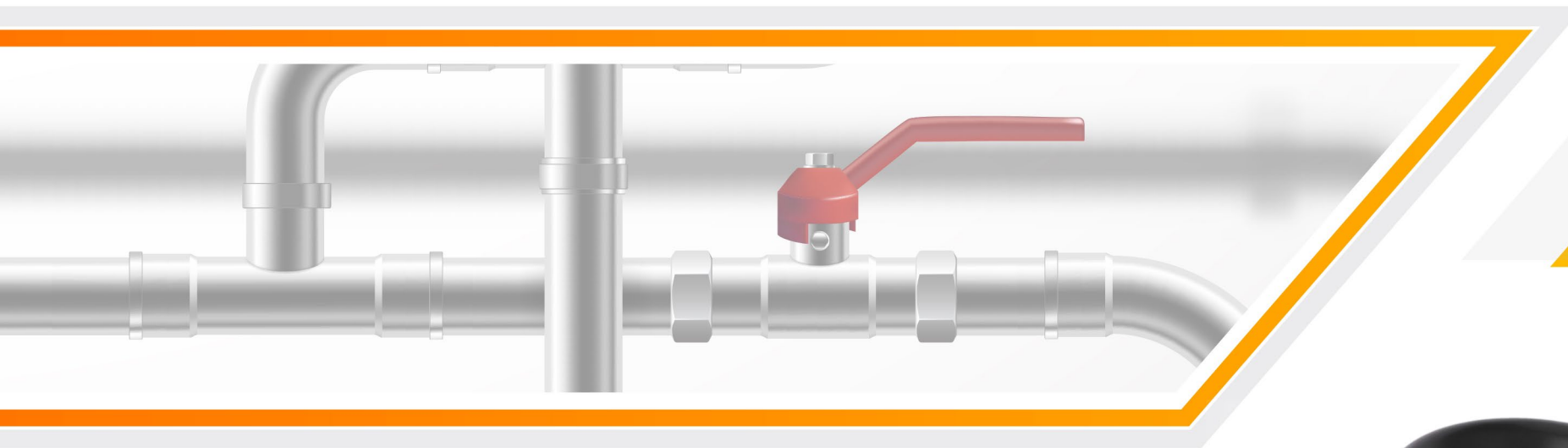
# For a Humanized Home





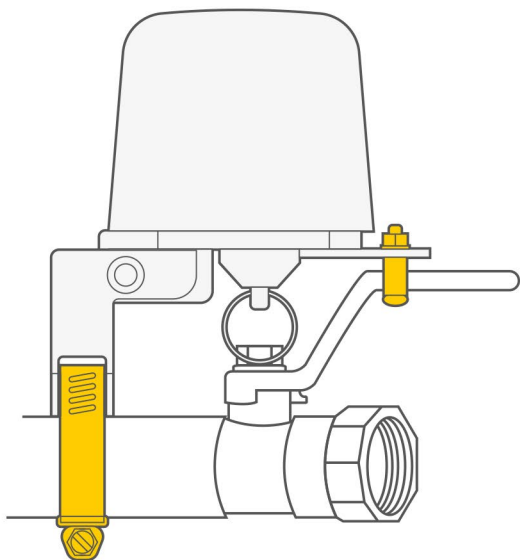
Intelligent valves make it pretty easy to humanize your home. They help with monitoring and controlling water or gas supplies with the purpose of convenience and efficiency.





The smart Zigbee-powered valve is specially designed to motorize water valves, natural gas valves, filling pools, farm watering plants, etc. In other words, you can enable or disable gas or water streams in various pipes around your property.





This product is easily installed as it requires no plumbing. Using its screws, just attach it to where you need it and then start navigating.





You can either use its clutch to execute smart commands. Need to water your garden? No worries, just open your intelligent water valve and focus on other things. Plus, this smart product is compatible with Android and iOS operation systems, and this means you can control the water and gas supplies remotely.





It is worth mentioning that our smart valve is made of highly durable materials and is perfect for home outdoor garden backyard patio farm, too. So why not opening the fountain at evening tea parties to create an even more pleasant atmosphere?





TIS WEATHER STATION



This valve is smart-home compatible, it can be integrated with other devices such as the TIS weather station so it doesn't function on rainy days, and prevent water wastage.

The only thing you need to do is order a smart valve today and make your water/gas equipment much easier to control.







**TIS CONTROL PTY LIMITED**  
SA , AUSTRALIA

**TIS CONTROL LIMITED**  
Wanchai, Hong Kong

