



Data Sheet Rev 3.2

TIS TRV

Thermostatic Radiator Valve

Model: TIS-TRV



OVERVIEW

This product is a thermostatic radiator valve designed to warm rooms without raising energy costs. This wireless solution replaces the existing thermostat dial and is battery powered and offers scheduling and accurate room-temperature analysis. It also turns the supply open and closed and allows you to set radiators remotely and separately.

KEY BENEFITS

- + Monitors room temperature
- + Smooth ON-LCD setting route
- + 7-day schedule programmability

KEY FEATURES

- ★ Compatible with 90% of radiator types
- ★ Built-in temperature sensor
- ★ Powered by battery



TIS TRV

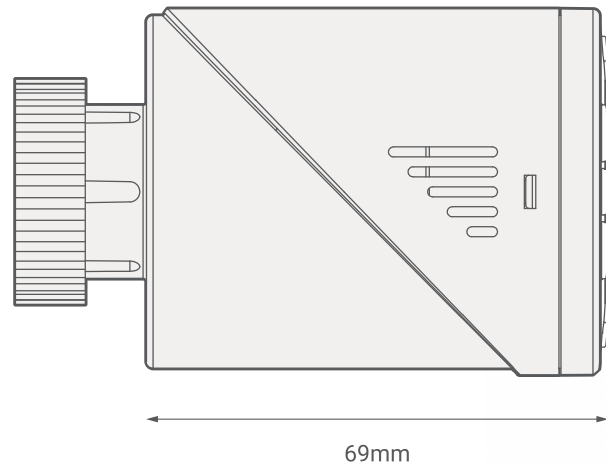
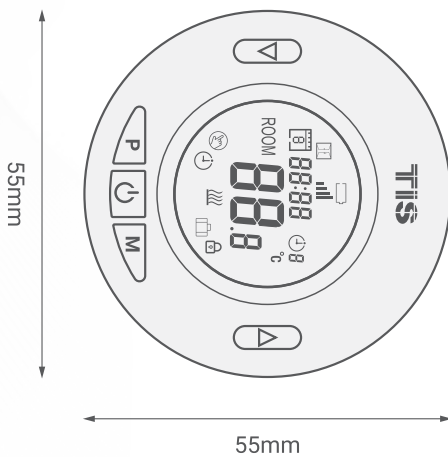
Thermostatic Radiator Valve

Model: TIS-TRV



PRODUCT SPECIFICATIONS

	RF Signal	Wi-Fi Signal	863 MHZ
	Voltage	Operating Voltage	By 2 x AA 1.5 V batteries
	Functions	Temperature settings Accuracy Control	5°C ~ 35°C, in 0.5 ± 1°C PID
	Operation	Buttons LCD	5 push buttons 2-Color LCD
	Mounting	On Radiator Valve	M30 x 1.5 universal type head to body connection
	Weight	Without packaging	200g
	Dimensions	Width x Length x Height Max Extension	55mm x 69mm x 55mm 5.0mm
	Housing	Materials Internal Parts color IP rating	Fireproof PC White IP 20
	Temperature range	Operation Storage Transport	-30...60°C -20...60°C -30...75°C
	Air humidity		<85% non-condensing



Copyright © 2022 TIS, All Rights Reserved

TIS Logo is registered trademark of TIS CONTROL .
All of the specification are subject to change without notice.

TIS CONTROL PTY LIMITED
SA , AUSTRALIA

TIS CONTROL LIMITED
Wanchai, Hong Kong