



TIS PANEL ADDITION

Three-channel Coupler

Data Sheet Rev 3.2

Model: ADD-3R-5A



OVERVIEW

This bus-operated device is attached to the back of TIS wall switches to complete their installment and expand their functions. It helps with smart control over lighting, curtains, or FCU units.

KEY BENEFITS

- + Programmable for scenes & presets
- + Makes traditional light switches smart
- + Minimizes wiring & installation time
- + Ideal for single residential or office rooms

KEY FEATURES

- ★ Works with TIS BUS protocol
- ★ Equipped with 3 channel relays
- ★ Capable of motorized functions & scene creation
- ★ Attachable to TIS wall switches



BARCODE (UPC-A)



TIS PANEL ADDITION

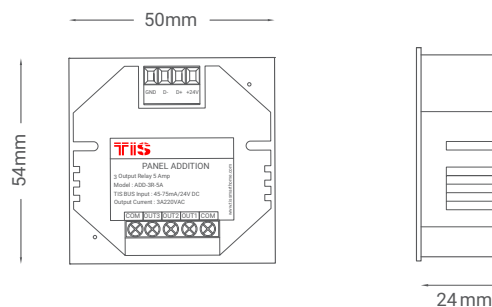
Three-channel Coupler

Model: ADD-3R-5A



PRODUCT SPECIFICATIONS

Output	Number of channels	3
	Nominal voltage	0 – 230 V AC 50/60 Hz
	Nominal current per channel	
	Low current	5 A / 28 VDC
	Lighting Incandescent Lamp	4 A / 230 VAC
	Motors / Air condition	3 A / 230 VAC
LED and CFL Lamp	1 A / 230 VAC	
Output switching current	Max switching current	5A/230 VAC
	Max Continuous current	4A/230 VAC
Output service life	Mechanical service life	> 5,000,000 Times
Output switching times	Operating time	10mS (at nomi. Volt)
	Releasing time	10 mS (at nomi. Volt)
Other Specifications	Contact Resistance	100mΩ max. (at 1A 24VDC)
	Insulation Resistance	1000mΩ (500VDC)
Reaction time		approx. 20ms
Functions	3 Separate channels	For incandescent lamps (200 watts)
	Simple FCU Function	Cool, Heat, Fan outputs
	Fan speed control	Low, Medium, High outputs
	Motor and Lighting	Ch1 & Ch2 as open/close interlocked, Ch3 to work independently
Mounting	Behind the panel	Attached to the back of TIS panel, fits into all standard back boxes
Connection terminal	Load and Power	Screw terminal 0,25...2mm ²
	Data / bus	Connectors link
	Panel Link	2 Female connectors for wall panel connection
Weight	Without packaging	20 g
Dimensions	Width × length × height	54mm × 50mm × 24mm
Housing	Materials	Fire-proof PC
	Casing color	White
	IP rating	IP 20
Temperature range	Operation	-30...60°C
	Storage	-20...60°C
	Transport	-30...75°C
Air humidity		<85% non-condensing



Copyright © 2022 TIS, All Rights Reserved

TIS Logo is registered trademark of TIS CONTROL .
All of the specification are subject to change without notice.

TIS CONTROL PTY LIMITED
SA , AUSTRALIA

TIS CONTROL LIMITED
Wanchai, Hong Kong