



PC-648R / PC-658R / PC-668R / PC-668RC
Flush Mount Ceiling Speakers



Flush Mount Ceiling Speaker

Spring Clamp Type PC-648R & PC-658R



Integrated with a resin panel and speaker frame, the PC-648R and PC-658R are ceiling mount speakers with a metal grille attached. They feature spring clamp mechanism for easy speaker mounting to the ceiling. The input impedance can be easily changed by changing the tap position of the transformer.

Features

- Spring clamp mechanism for easy speaker mounting to the ceiling
- PC-648R: 12cm (5") cone type
- PC-658R: 16cm (6") cone type
- New Color Code: RAL 9016
- Optional flame retardant (HIPS UL-94VO) backcan

Optional Backcan:

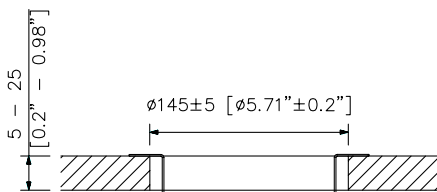
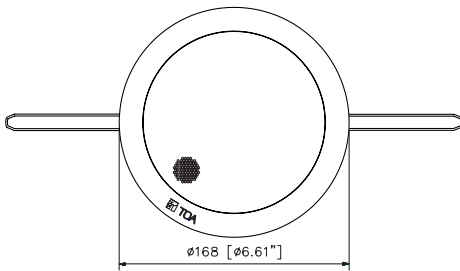


HY-BC648
(for PC-648R)

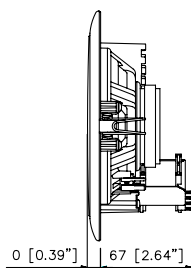


HY-BC658
(for PC-658R)

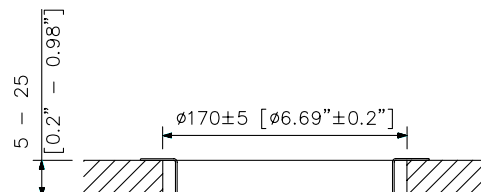
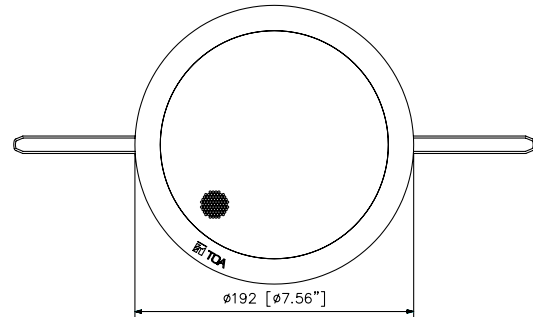
12cm (5") Cone-Type PC-648R



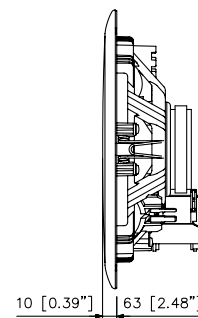
Mounting Diagram



16cm (6") Cone-Type PC-658R



Mounting Diagram



Flush Mount Ceiling Speaker

Spring Clamp Type PC-668R & PC-668RC

The PC-668R & PC-668RC is a Ceiling Mount Speaker with integrated resin panel and speaker frame. It features a spring clamp mechanism for easy speaker mounting to the ceiling. The slim speaker frame design allows it to blend into the interior design of the application easily. Input impedance can be easily adjusted by changing the tap of the transformer. PC-668RC, comes with input terminal block which makes cable connection easy when bridging wires.

Features

- Spring clamp mechanism for easy speaker mounting to the ceiling
- 15 W, 8" Double cone-type
- High Cost Performance
- New Color Code: RAL 9016
- PP Resin, SECC punching net

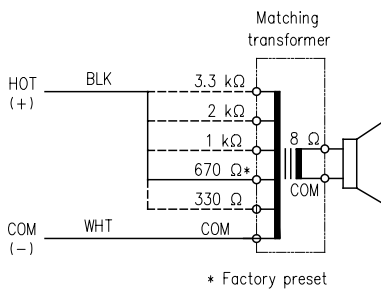
20cm (8") Double Cone-Type
PC-668R



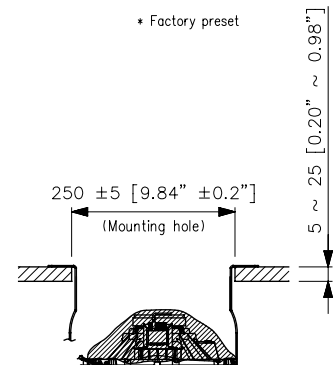
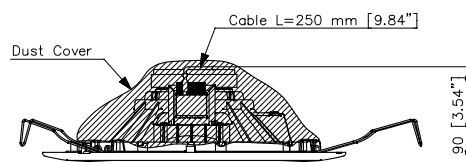
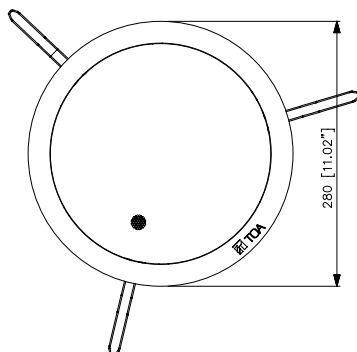
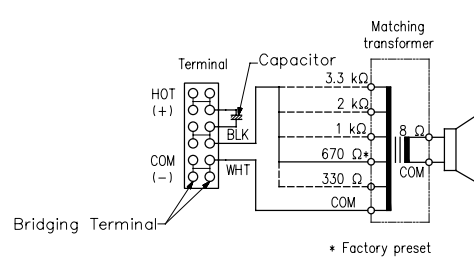
20cm (8") Double Cone-Type
PC-668RC



Wiring Diagram for PC-668R:



Wiring Diagram for PC-668RC:



Mounting diagram
(Scale 1/4)

Specifications

Model	PC-648R	PC-658R
Rated Output	6 W (100 V Line), 3 W (70 V Line)	
Rated Impedance	100 V Line: 1.7 k Ω (6 W), 3.3 k Ω (3 W), 10 k Ω (1 W) 70 V Line: 1.7 k Ω (3 W), 3.3 k Ω (1.5 W), 10 k Ω (0.5 W)	
Sensitivity	90 dB (1W, 1m)	
Frequency Response	100 Hz - 18 kHz	65 Hz - 18 kHz
Speaker Component	12 cm (5") cone-type	16 cm (6") cone-type
Dimensions for Fixing Hole	Mounting hole: \varnothing 145 \pm 5mm (\varnothing 5.71" \pm 0.2") Ceiling thickness 5 - 25 mm (0.2 - 0.98")	Mounting hole: \varnothing 170 \pm 5mm (\varnothing 6.69" \pm 0.2") Ceiling thickness 5 - 25 mm (0.2 - 0.98")
Speaker Mounting Method	Spring Clamp	
Finish	Baffle: Polypropylene resin, white (RAL 9016 equivalent) Grille: Surface-treated Steel Plate Net, white (RAL 9016 equivalent), paint	
Dimensions	\varnothing 168 x 77 (D) mm (\varnothing 6.61" x 3.03")	\varnothing 192 x 73 (D) mm (\varnothing 7.56" x 2.87")
Weight	470 g (1.04 lb)	500 g (1.1 lb)
Accessory	Paper pattern x 1	

Model	PC-668R	PC-668RC
Rated Output	15 W (100 V, 70 V Line)	
Rated Impedance	100 V Line: 670 Ω (15 W), 1 k Ω (10 W), 2 k Ω (5 W), 3.3 k Ω (3 W) 70 V Line: 330 Ω (15 W), 670 Ω (7.5 W), 1 k Ω (5 W), 2 k Ω (2.5 W), 3.3 k Ω (1.5 W)	
Sensitivity	96 dB (Pink Noise 500 Hz - 5 kHz / 1W, 1m)	
Frequency Response	65 Hz - 20 kHz (at 20 dB below peak SPL)	
Speaker Component	20 cm (8") double cone-type	
Dimensions for Fixing Hole	Mounting hole: \varnothing 250 \pm 5mm (\varnothing 9.84" \pm 0.2") Ceiling thickness 5 - 25 mm (0.2 - 1.98")	
Input Connector	-	Push-In Connector (Bridging and branch connection possible)
Speaker Mounting Method	Spring Clamp	
Finish	Panel: Polypropylene resin, traffic-white (RAL 9016 or equivalent color) Grille: Surface-treated Steel Plate Net, traffic-white (RAL 9016 or equivalent color), paint	
Dimensions	\varnothing 280 x 90 (D) mm (\varnothing 11.02" x 3.54")	
Weight	960 g (2.12 lb)	970 g (2.14 lb)
Accessory	Paper pattern x 1	