

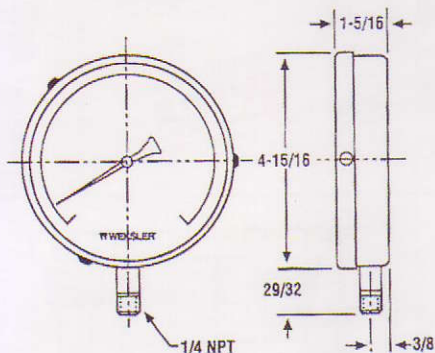
WEKSLER HVAC/Contractor Gauge

MODEL EA14



EA14MC

DIMENSIONS



STANDARD FEATURES

- 4 1/2" corrosion resistant stainless steel case and ring, plastic window.
- Accuracy is 1% full scale.
- Balanced adjustable black pointer, adjust screw in face of instrument.
- Soft soldered phosphor bronze tube with brass socket. Suitable for steam, water, air, oil, gas or any medium not corrosive to copper alloys.
- Phosphor bronze movement.
- White dial with bold black graduations and figures.
- 1/4 NPT bottom connection only.

PRESSURE RANGES

CATALOG NO	DIAL RANGES	FIGURE INTERVALS	SMALLEST GRADUATION
EA142M	0-15 psi/kg/cm ²	1 psi	.25 psi
EA14MA	0-30 psi/kg/cm ²	5 psi	.50 psi
EA14MB	0-60 psi/kg/cm ²	10 psi	1 psi
EA14MC	0-100 psi/kg/cm ²	10 psi	1 psi
EA14MD	0-160 psi/kg/cm ²	20 psi	2 psi
EA14ME	0-200 psi/kg/cm ²	20 psi	2 psi
EA14MF	0-300 psi/kg/cm ²	50 psi	5 psi
EA14MG	0-500 psi/kg/cm ²	50 psi	5 psi

VACUUM RANGES

EA14MH	30"-0 /cm hg.Vac	5 in	.50 in
--------	------------------	------	--------

COMPOUND RANGES

EA14MJ	30"-0-30 psi/cm hg/kg/cm ²	10" & 5 psi	1" & 1 psi
EA14MK	30"-0-100 psi/cm hg/kg/cm ²	15" & 10psi	5" & 1 psi
EA14ML	30"-0-150 psi/cm hg/kg/cm ²	30" & 25 psi	5" & 5 psi
EA14MM	30"-0-300 psi/cm hg/kg/cm ²	30" & 30 psi	5" & 5 psi

WEKSLER Gauge Accessories

BRASS GAUGE COCKS

TYPE NO.	TYPE	CONNECTIONS	MAXIMUM PRESSURE
A10	Tee Handle	1/4" Female	125 psi
A10E	Heavy Duty Tee Handle	1/4" Female	200 psi
A12	Lever Handle	1/4" Female	200 psi



SIPHONS

When a gauge is to be used for steam pressures, a siphon filled with water is recommended between the line and gauge to prevent high temperature steam from entering the gauge bourdon tube.

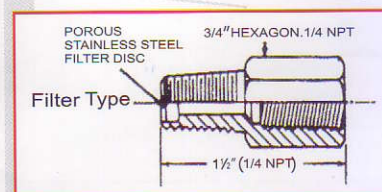
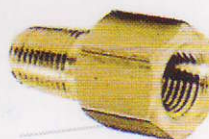
TYPE NO.	SIZE	SIPHON MATERIAL	CAPACITY
A03I	1/4 NPT	Iron (Schedule 40)	500 psi and 400°F



SNUBBERS (FILTER TYPE)

Filter Type: Snubbing element consists of a 1/8" diameter x 1/8" diameter x 1/8" thick Micro Metallic stainless steel filter. When placed in the line just before the pressure gauge, the gauge pointer moves across the scale at a rate which is proportional to the pressure differential across the snubber element.

TYPE NUMBER	GAS OR LIQUID IN PIPE LINE	PRESSURE RANGE	CONNECTION	MATERIAL
BW 41	Air	1,500 psi	1/4 NPT	Brass
BW 42	Water-Light Oil	1,500 psi	1/4 NPT	Brass



BAR STOCK NEEDLE VALVES

These valves are used primarily to closely regulate fine flow. However, they may be used as a throttling device on lines where rapid and excessively pulsating pressures would tend to effect the gauge performance or mechanism.

TYPE NO.	SIZE	MATERIAL	PRESSURE & TEMP. RATING
BBV4	1/4 NPT	Brass: For oil, water, gas, etc.	600 psi @ 300°F

