

Y-STRAINER

Model: Y3/YF/YDF

Features

Y-shaped strainers for water, steam and other fluids* protect equipment from dirt, rust or scale in the pipeline.

1. Simple yet rugged construction ensures long service life.
2. Double-layer stainless steel screen with large surface area ensures trouble-free operation.
3. Designed for easy inline cleaning and maintenance.
4. Model Y3 made entirely of stainless steel



Specifications

Model	Y3	YF	YDF
Body Material	Stainless Steel	Cast Iron	Ductile Cast Iron
Connection	Screwed	Flanged	Flanged
Size (mm)	15 – 50	15 – 350	15 – 300
Max. Operating Press. (MPaG) PMO	2.1	0.98	0.98*
Max. Operating Temp. (°C) TMO	220	200	350
Standard Screen Mesh Size	60	40	40

PRESSURE SHELL DESIGN CONDITIONS (NOT OPERATING CONDITIONS): 1MPa = 10.197 kg/cm²

Maximum Allowable Pressure (MPaG) PMA: Y3/YF/YDF: 2.1/0.98/0.98*

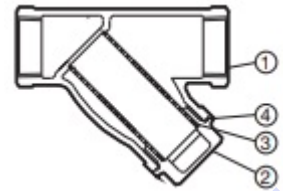
(*2.0 MPaG available only with JIS20K RF flange)

Maximum Allowable Temperature (°C) TMA: Y3/YF/YDF: 220/200/350

CAUTION : To avoid abnormal operation, accidents of serious injury, Do Not use this product outside of the specification range. Local regulations may restrict the use of this product to below the conditions quoted.

Y3

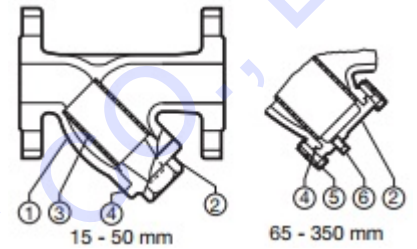
No.	Description	Materials	JIS	ASTM/AISI*
1	Body	Cast Stainless Steel	SCS13A	A351 Gr.CF8
2	Screen Holder (Cap)	Cast Stainless Steel	SCS13	A351 Gr.CF8
3	Screen inside/outside	Stainless Steel	SUS304	AISI304
4	Cap Gasket	Fluorine Resin	PTFE	PTFE



*Equivalent

YF

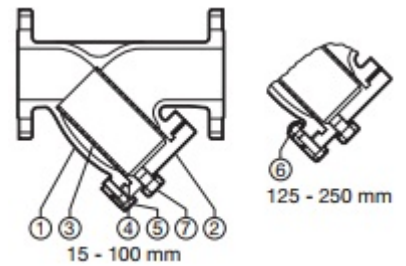
No.	Description	Materials	JIS	ASTM/AISI*
1	Body	Cast Iron	FC200	A48 CI.30
2	Screen Holder (Cap)(15-25)	Ductile Cast Iron	FCD450	A536-Gr.65-45-12
	Screen Holder (Cover)(32-350)	Cast Iron	FC200	A48 CI.30
3	Screen inside and outside	Stainless Steel	SUS304	AISI304
4	Cap or Cover Gasket	Inorganic NA Fibre	-	-
5	Cover Bolt (65-350)	Carbon Steel	SS400	A307 Gr.B
6	Drain Plug (65-350)	Malleable Cast Iron	FCMB270	A47 Gr.32510



*Equivalent

YDF

No.	Description	Materials	JIS	ASTM/AISI*
1	Body	Ductile Cast Iron	FCD-S	A395
2	Screen Holder (Cover)	Carbon Steel	S25C	AISI1025
3	Screen inside and outside	Stainless Steel	SUS304	AISI304
4	Cover Gasket	Inorganic NA Fibre	-	-
5	Cover Bolt	Carbon Steel	S45C	AISI1045
6	Cover Nut (125-300)	Carbon Steel	S25C	AISI1025
7	Drain Plug	Carbon Steel	S25C	AISI1025



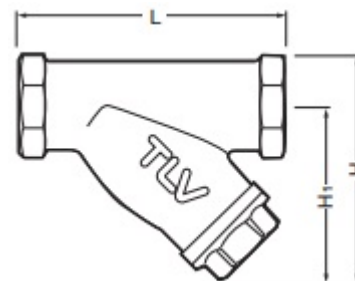
*Equivalent

Dimensions

Y3 Screwed*

(mm)

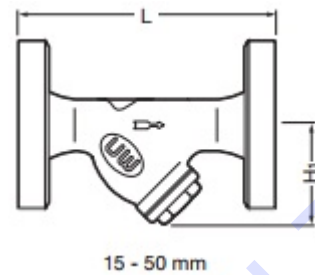
Size	L	H	H1	Weight (kg)
15	78	66	51	0.3
20	93	78	61	0.4
25	108	92	71	0.6
32	128	108	82	1.0
40	143	122	93	1.2
50	173	154	119	2.1



*Rc(PT), other standards available

YF Flanged (mm)

Size	L	H1	Weight (kg)
	ASME Class (150RF)		
(15)	125	70	1.7
(20)	140	75	2.2
25	160	85	3.1
32	180	105	4.5
40	190	110	6.0
50	220	130	9.0
65	270	180	17
80	290	200	19
100	350	240	30
125	390	260	39
150	440	320	59
200	540	380	105
250	680	480	165
300	840	600	270
350	1000	800	350

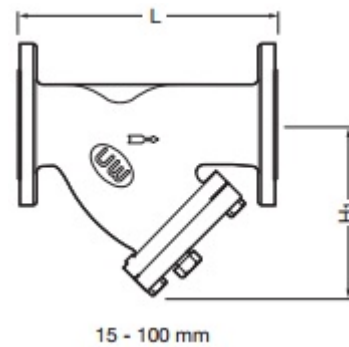


Configuration of YF, sizes 65-350 differs slightly

*() No ASME standard exists for cast iron; machined to fit steel flanges
Other standards available, but length and weight may vary.

YDF Flanged (mm)

Size	L	H1	Weight (kg)
	ASME Class (150RF)		
(15)	160	100	2.6
(20)			2.9
25	190	110	4.2
32	240	155	8.0
40			8.3
50	250	170	10
65	300	190	16
80	320	215	18
100	380	245	29
125	480	315	45
150	550	380	75
200	620	450	130
250	760	550	210
300	870	630	320



Configuration of YDF, sizes 125-300 differs slightly

() No ASME standard for ductile cast iron; machined to fit steel flanges
Other standards available, but length and weight may vary