



Furniture Fitting & Better

WELLPLUS FITTING



About Our Company

บริษัท เวลพลัส ฟิตติ้ง จำกัด เป็นผู้นำเข้า และจัดจำหน่าย อุปกรณ์เฟอร์นิเจอร์ ฟิตติ้งจากต่างประเทศ เราคัดสรรแต่สินค้าที่ดี คุณภาพสูง สำหรับงานออกแบบตกแต่งภายใน Built-in หรือโรงงานเฟอร์นิเจอร์ ที่ต้องการเพิ่มมูลค่าสินค้าให้สวยโดดเด่น ทันสมัย ไม่เหมือนใคร

เรามุ่งมั่นที่จะให้บริการด้านสินค้าตกแต่งภายในอย่างครบวงจร ภายใต้แบรนด์ "Wellplus Fitting" เราคัดสรรแต่โรงงานที่ได้รับมาตรฐานสากล ผ่านการรับรอง จากสถาบัน ชี้นำ ทั้ง TUV และ SGS ลูกค้าสามารถมั่นใจในสินค้าของเราได้ อีกทั้งเรายังมีผู้เชี่ยวชาญ ที่พร้อมจะให้คำปรึกษา แก่ท่านทุกเมื่อ

Wellplus Fitting Co., Ltd. is the Importer and Distributor of furniture Fittings in Thailand. To enhance the value of your modern contemporary furniture and distinctive design, we select premium products for the built-in customers, furniture manufacturers, and interior designers.

We have been established since 2008. We committed to offering a full range of interior decoration goods under the "Wellplus Fitting" brand. We select the best manufacturers whose quality has been certified by international standards such as TUV and SGS. The customer can be confident in our goods' quality.

Our products are such as Edge Banding (PVC, ABS, Aluminium), Softclose Hinge, Undermount Softclose Slide, Tandem Box, Sliding Door Roller, Walk-in Closet Fitting, Wardrobe accessories, Aluminium Frame, Fitting for kitchen and others. We are pleased to inform you that we have a team of experts available to offer assistance at your convenience.

Ultra thin side panel

Spacious storage area. convenient and practical



- Multi-dimensional adjustment for the front panel. Premium slide design with 3 sections synchronization feature.

- Flexible combination design with height extension side panel

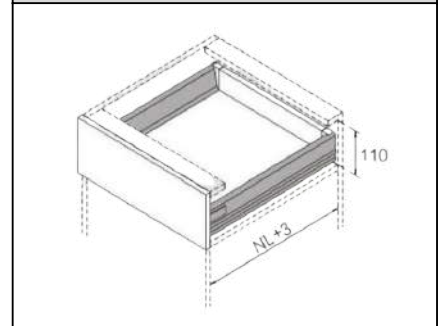
TANDEM BOX - LUXURY DRAWER

(A86 Softclose) and (A86 Push To Open)

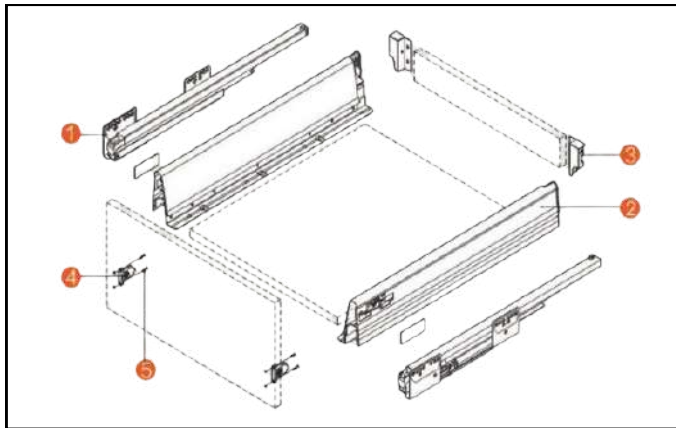


- Concealed, Full Extension, Synchronized Slides
- Finish : Silver Grey
- Light Opening & Closing, Smooth Sliding
- Quick Installation and Easy Dismantling
- Integrated 3D Front Panel Adjustment
- Dynamic Loading Capacity 40 Kg

Space Requirement



NL Nominal length



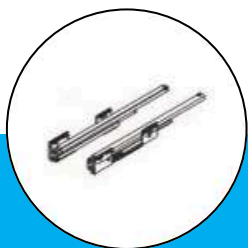
Item No.	Length	Slide
A86-SC18	450 mm (18")	Softclose
A86-SC20	500 mm (20")	

Item No.	Length	Slide
A86-PO18	450 mm (18")	Push to Open
A86-PO20	500 mm (20")	

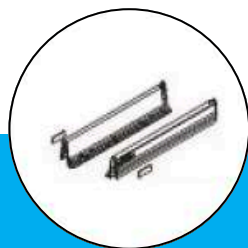
Kit Package
ชุดอุปกรณ์ทั้งหมด



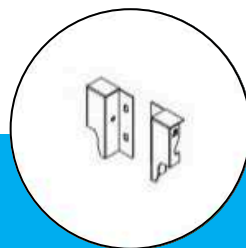
Components



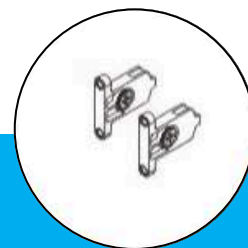
1. Full Extension Slides
รางลิ้นชักแบบ 2 ตอน



2. Drawer Sides
แผงข้าง สูง 86 มม



3. Back Fixing-brackets
ตัวยึดหลัง ซ้าย/ขวา



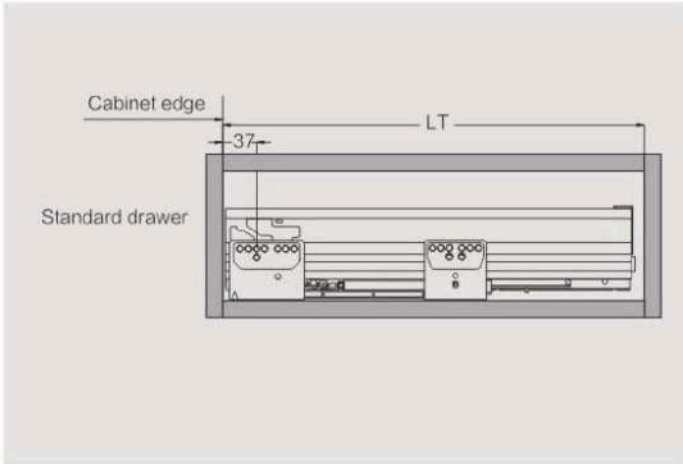
4. Front Fixing-brackets
ตัวยึดหน้าบาน



5. Screw
สกรู

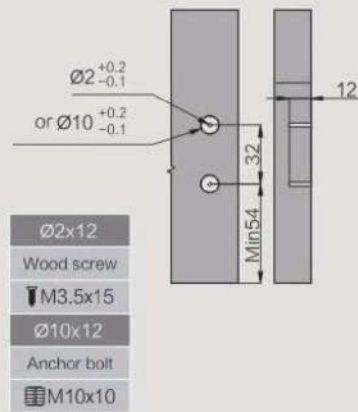
Installation dimensions(mm)

Nominal Slide Length=NL Internal Cabinet Depth=LT=NL+3

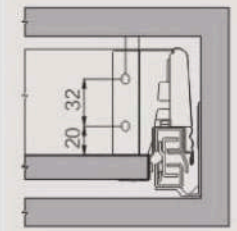


Drawer installation dimensions(mm)

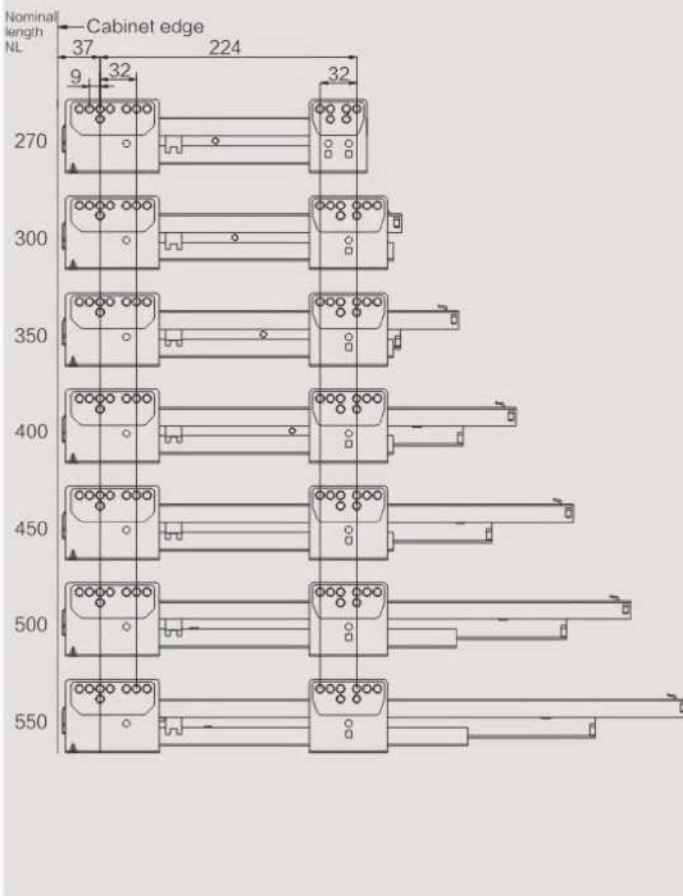
Front section



Back

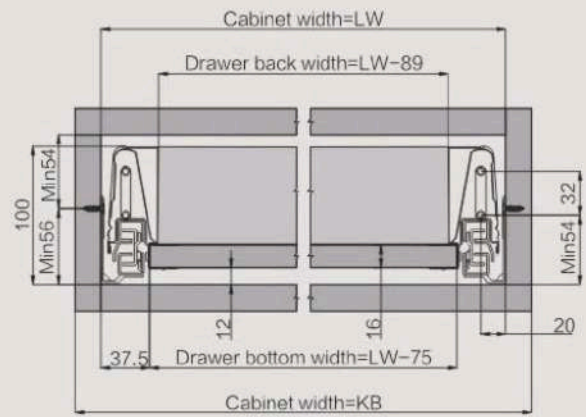


Screw Positions of the Sides(mm)

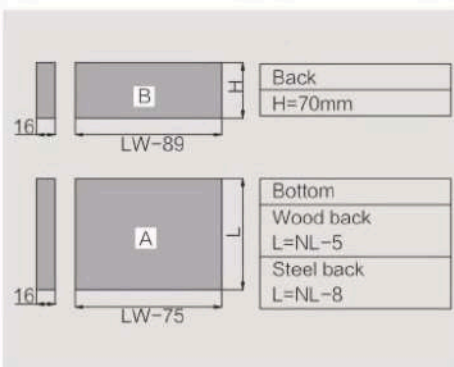


Installation Dimensions(mm)

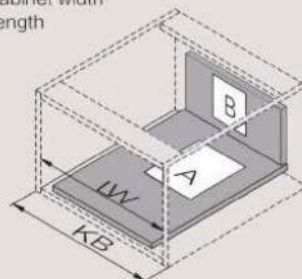
LW Internal cabinet width



Drawer Back and Bottom Dimensions(mm)



KB Cabinet width
LW Internal cabinet width
NL Nominal length



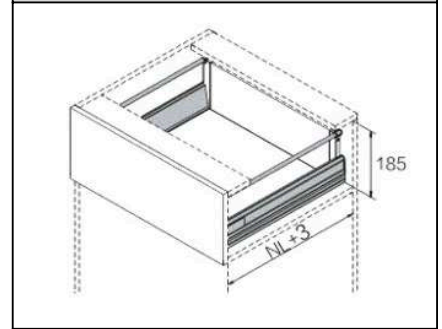
TANDEM BOX WITH 1 RAIL

(A164 Softclose) and (A164 Push To Open)

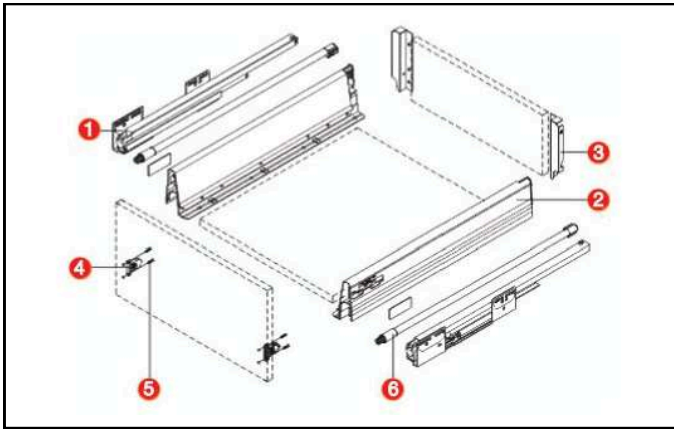


- Concealed, Full Extension, Synchronized Slides
- Finish : Silver Grey
- Light Opening & Closing, Smooth Sliding
- Quick Installation and Easy Dismantling
- Integrated 3D Front Panel Adjustment
- Dynamic Loading Capacity 40 Kg

Space Requirement



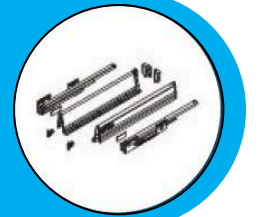
NL Nominal length



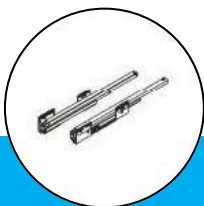
Item No.	Length	Slide
A164-SC18	450 mm (18")	Softclose
A164-SC20	500 mm (20")	

Item No.	Length	Slide
A164-PO18	450 mm (18")	Push to Open
A164-PO20	500 mm (20")	

Kit Package
ชุดอุปกรณ์ทั้งหมด



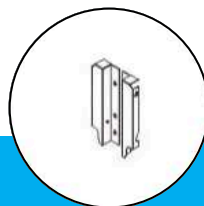
Components



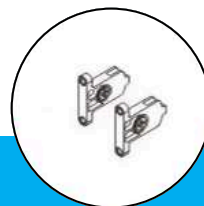
1. Full Extension Slides
รางลิ้นชักแบบ 2 ตอน



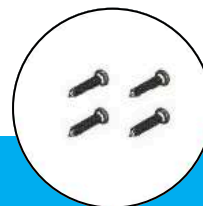
2. Drawer Sides
แผงข้าง สูง 86 มม



3. Back Fixing-brackets
ตัวยึดหลัง ซ้าย/ขวา



4. Front Fixing-brackets
ตัวยึดหน้าบาน



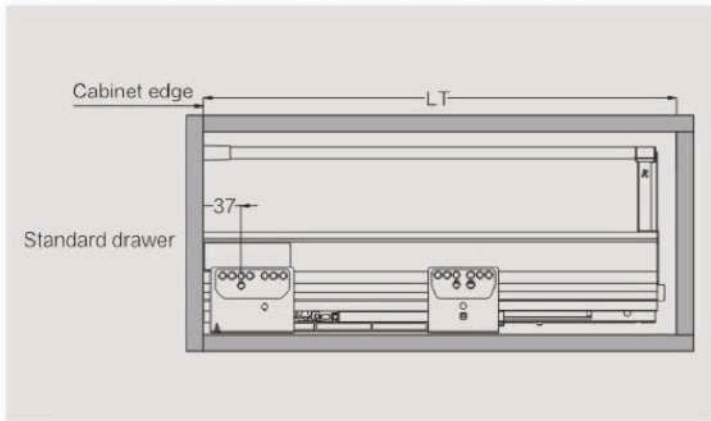
5. Screw
สกรู



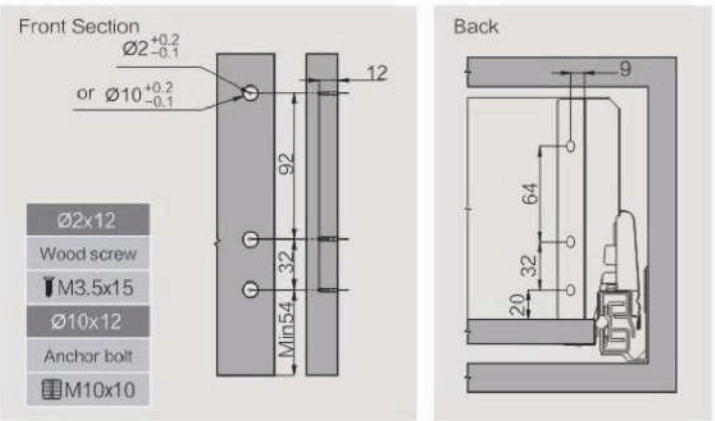
6. Rail Left/Right
เส้นกัน ซ้าย/ขวา

Installation dimensions(mm)

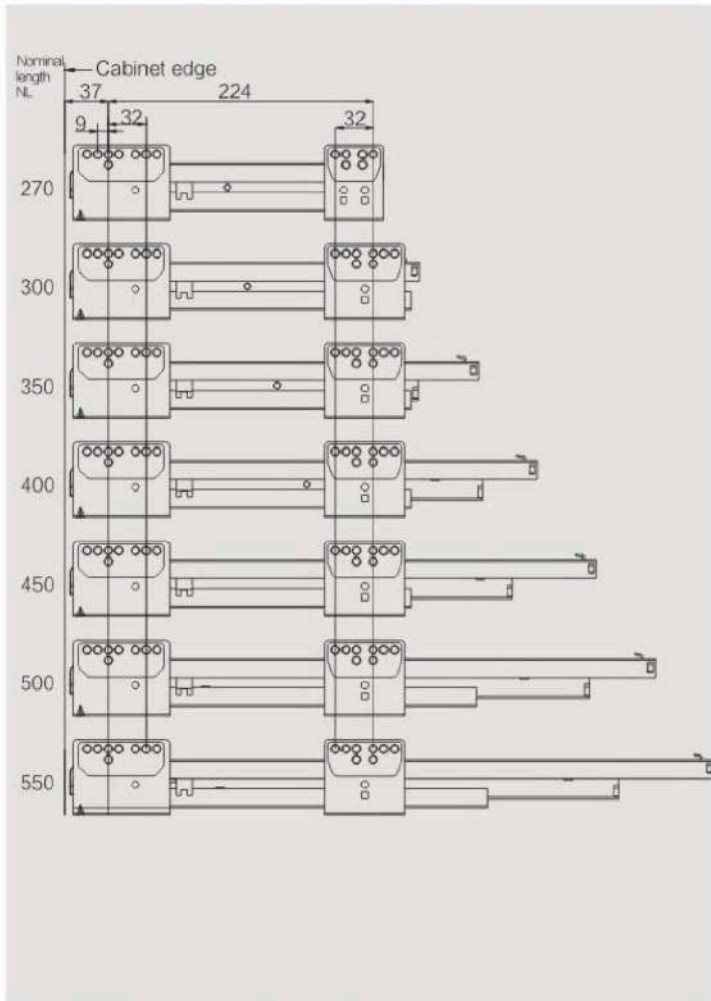
Nominal Slide Length=NL Internal Cabinet Depth=LT=NL+3



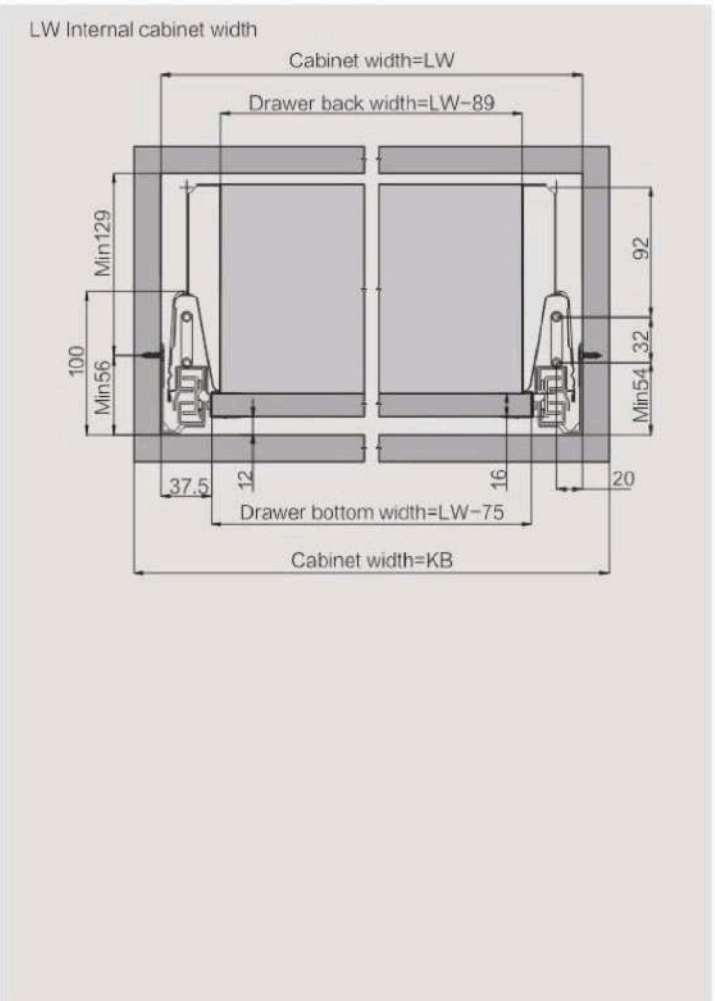
Drawer installation dimensions(mm)



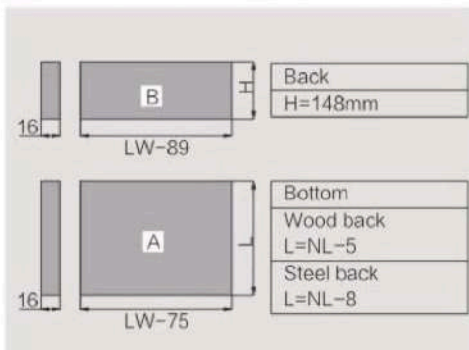
Screw Positions of the Sides(mm)



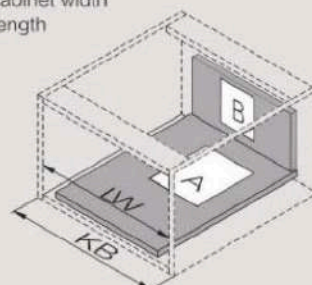
Installation Dimensions(mm)



Drawer Back and Bottom Dimensions(mm)



KB Cabinet width
LW Internal cabinet width
NL Nominal length



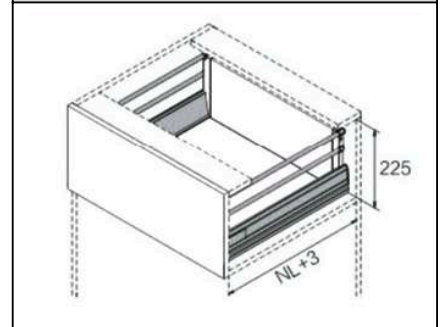
TANDEM BOX WITH 2 RAILS

(A204 Softclose) and (A204 Push To Open)

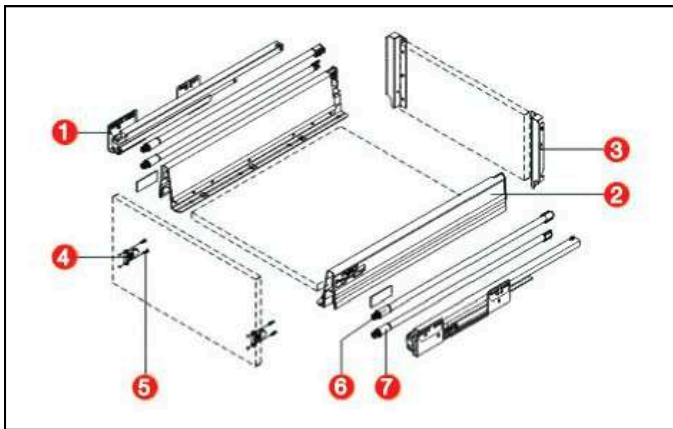


- Concealed, Full Extension, Synchronized Slides
- Finish : Silver Grey
- Light Opening & Closing, Smooth Sliding
- Quick Installation and Easy Dismantling
- Integrated 3D Front Panel Adjustment
- Dynamic Loading Capacity 40 Kg

Space Requirement



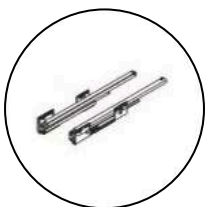
NL Nominal length



Item No.	Length	Slide
A204-SC18	450 mm (18")	Softclose
A204-SC20	500 mm (20")	

Item No.	Length	Slide
A204-PO18	450 mm (18")	Push to Open
A204-PO20	500 mm (20")	

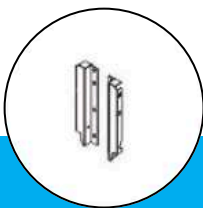
Components



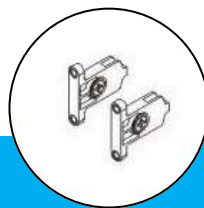
1. Full Extension Slides
รางลิ้นชักแบบ 2 ตอน



2. Drawer Sides
แผงข้าง สูง 86 มม



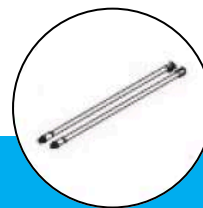
3. Back Fixing-brackets
ตัวยึดหลัง ช้าย/ขวา



4. Front Fixing-brackets
ตัวยึดหน้าบาน



5. Screw
สกรู



6. Rail Left/Right
เส้นกั้น ซ้าย/ขวา



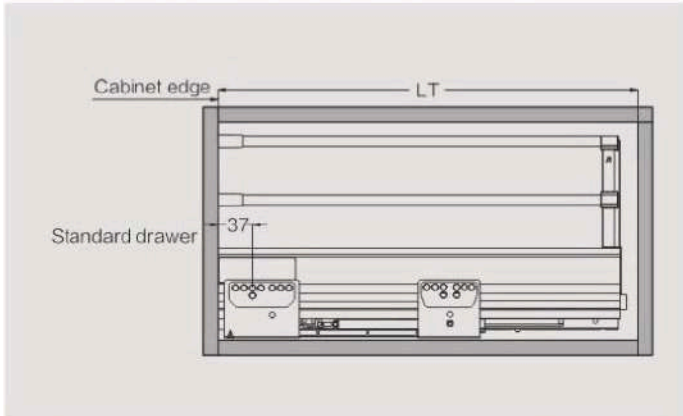
7. Mid Rails Left/Right
เส้นกั้นกลาง ซ้าย/ขวา



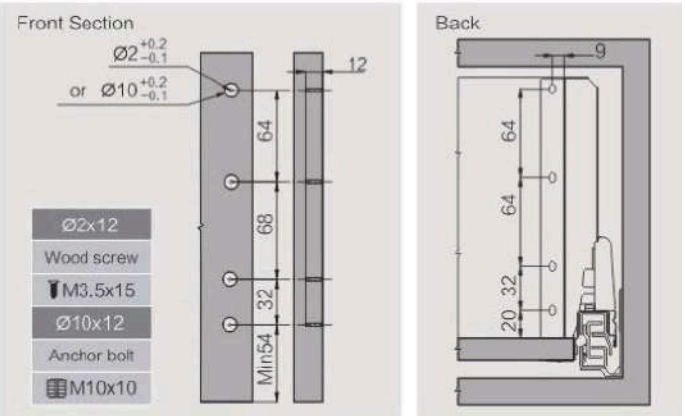
Kit Package
ชุดอุปกรณ์ทั้งหมด

Installation dimensions(mm)

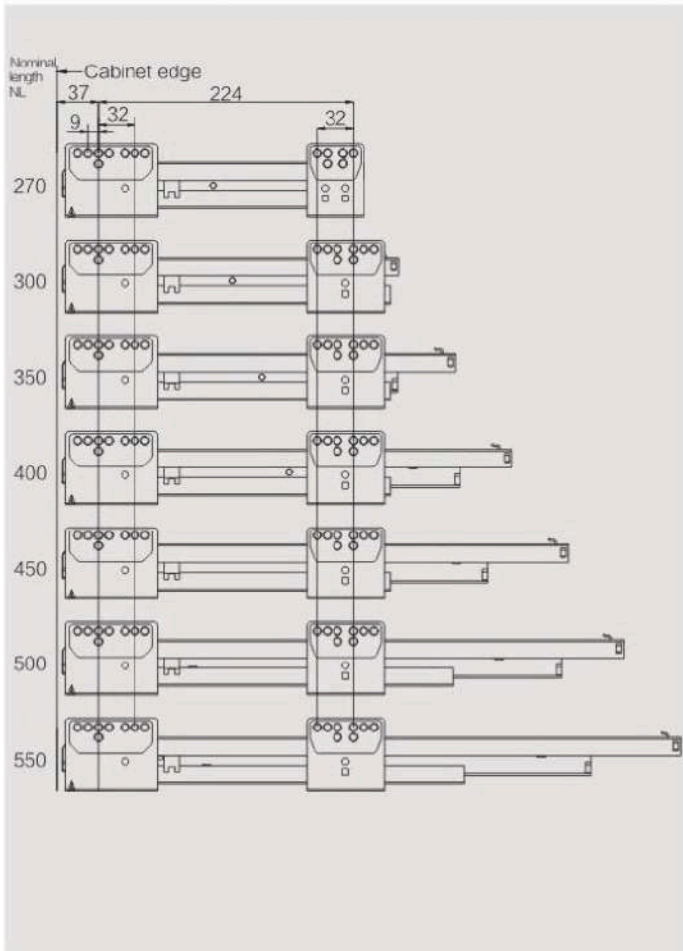
Nominal Slide Length=NL Internal Cabinet Depth=LT=NL+3



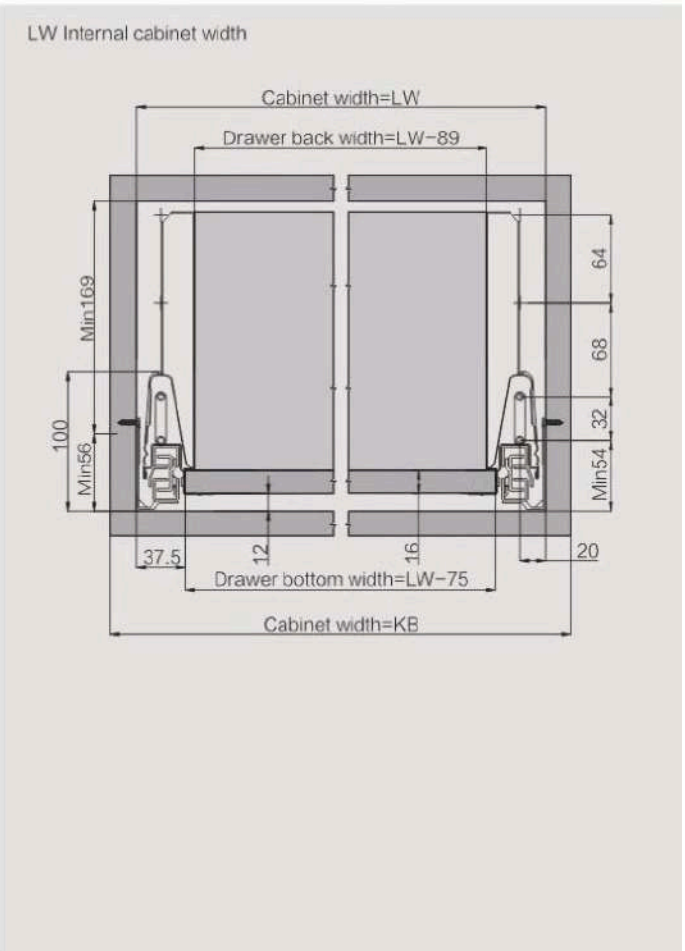
Drawer installation dimensions(mm)



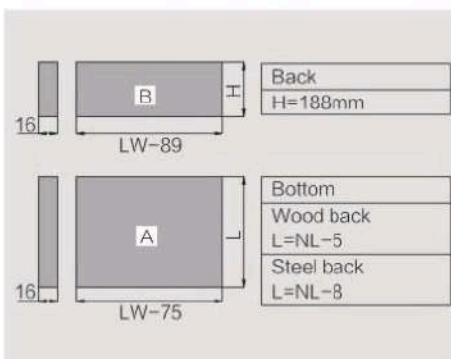
Screw Positions of the Sides(mm)



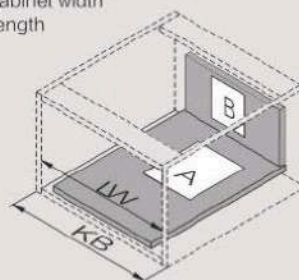
Installation Dimensions(mm)



Drawer Back and Bottom Dimensions(mm)



KB Cabinet width
LW Internal cabinet width
NL Nominal length

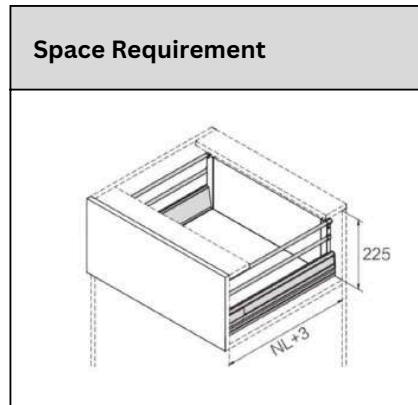


TANDEM BOX WITH TWIN WALL METAL SIDE PANEL

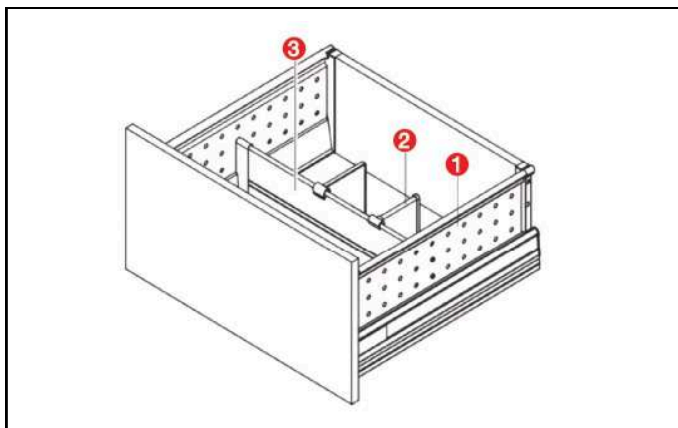
(A204-TW Softclose) and (A204-TW Push To Open)



- Concealed, Full Extension, Synchronized Slides
- Finish : Silver Grey
- Light Opening & Closing, Smooth Sliding
- Quick Installation and Easy Dismantling
- Integrated 3D Front Panel Adjustment
- Dynamic Loading Capacity 40 Kg



NL Nominal length



Additional Option with Twin Wall Metal Side Panel

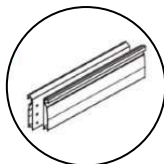
Item No.	Length	Slide
A204-SC18-TW	450 mm (18")	Softclose
A204-SC20-TW	500 mm (20")	

Item No.	Length	Slide
A204-PO18-TW	450 mm (18")	Push to Open
A204-PO20-TW	500 mm (20")	

Components



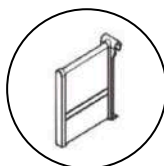
A204 Kit Package
ชุดอุปกรณ์ A204 ทั้งหมด



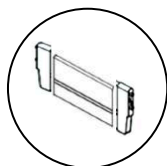
1. Twin Wall Metal Side Panels Left/Right
แผงเหล็กด้านข้าง



Optional Accessories for A204-TW Series



2. Vertical Dividing Panel
Item No. SG124
แผงกั้นแนวตั้ง



3. Horizontal Dividing Panel 1100 mm (with connector)
Item No. HG120
แผงกั้นแนวขวางพร้อมตัวล็อก
ซ้าย/ขวา



Horizontal Dividing Panel with connector L/R

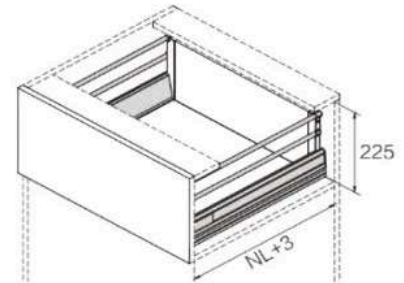
TANDEM BOX WITH ACRYLIC PANEL

(A204-AC Softclose) and (A204-AC Push To Open)



- Concealed, Full Extension, Synchronized Slides
- Finish : Silver Grey
- Light Opening & Closing, Smooth Sliding
- Quick Installation and Easy Dismantling
- Integrated 3D Front Panel Adjustment
- Dynamic Loading Capacity 40 Kg

Space Requirement

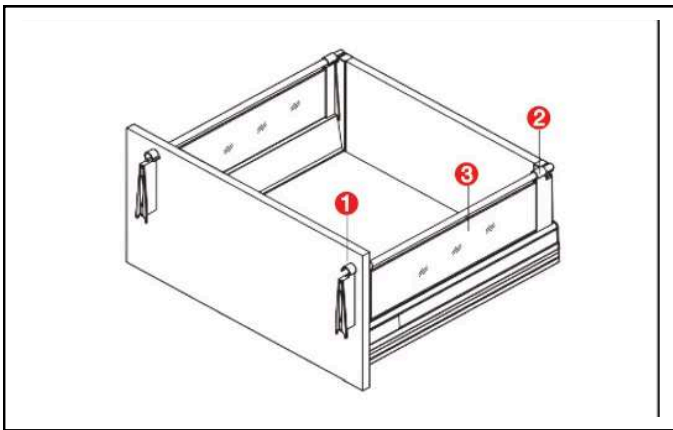


NL Nominal length

Additional Option with Acrylic

Item No.	Length	Slide
A204-SC18-AC	450 mm (18")	Softclose
A204-SC20-AC	500 mm (20")	

Item No.	Length	Slide
A204-PO18-AC	450 mm (18")	Push to Open
A204-PO20-AC	500 mm (20")	



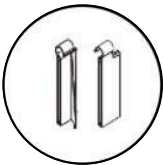
Components



A204 Kit Package
ชุดอุปกรณ์ A204 ทั้งหมด



1.A204 Acrylic Clip 1 Left/Right
คลิปสำหรับติดอะคริลิก 1



2.A204 Acrylic Clip 2 Left/Right
คลิปสำหรับติดอะคริลิก 2



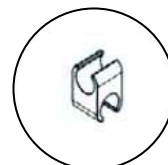
3.Acrylic Left/Right
แผ่นอะคริลิกกันข้าง ซ้าย/ขวา



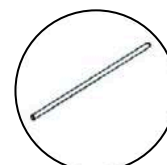
Optional Accessories for A204-AC Series



T-Connector Clip
Item No. TC-01
ข้อต่อตัวที



Connecting Clip
Item No. CC-01
ข้อต่อตัว +



Cross Rail (1100 mm)
Item No. LT-01
เส้นกัน



End cap
Item No. EC-01
ข้อต่อตัวจบ

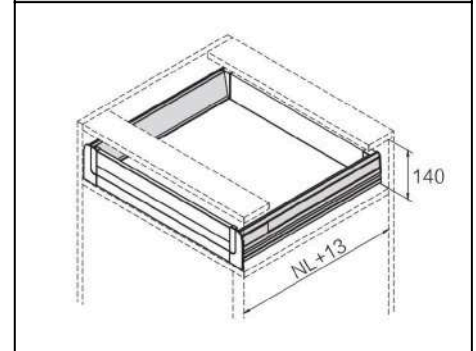
INNER TANDEM BOX

(A86 Softclose : Inner) and (A86 Push To Open : Inner)

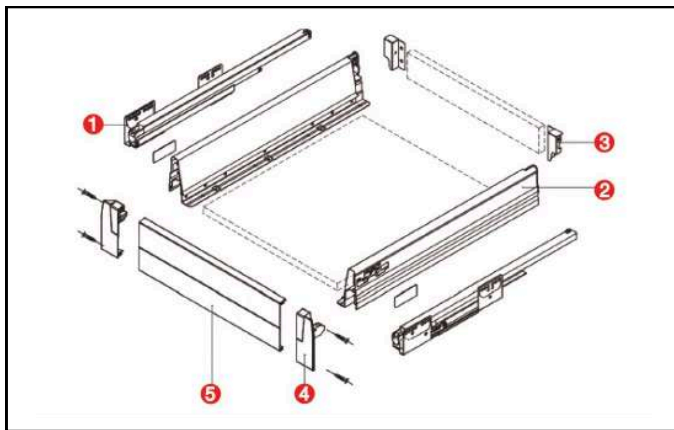


- Concealed, Full Extension, Synchronized Slides
- Finish : Silver Grey
- Light Opening & Closing, Smooth Sliding
- Quick Installation and Easy Dismantling
- Integrated 3D Front Panel Adjustment
- Dynamic Loading Capacity 40 Kg

Space Requirement



NL Nominal length



Front Section set ชุดแผงหน้า 4 และ 5

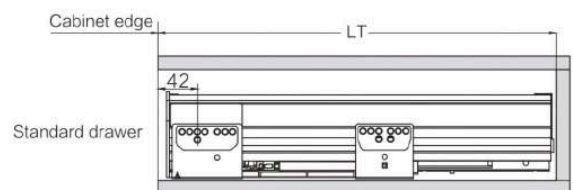


Item No.	Length	Slide
A86-SC18-IN	450 mm (18")	Softclose
A86-SC20-IN	500 mm (20")	

Item No.	Length	Slide
A86-PO18-IN	450 mm (18")	Push to Open
A86-PO20-IN	500 mm (20")	

Installation Dimensions (mm)

Nominal Slide Length = NL Internal Cabinet Depth = LT = NL + 13



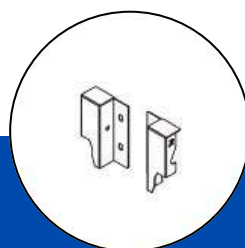
Components



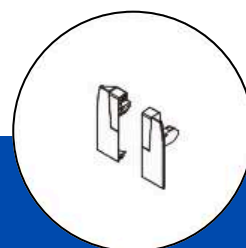
1. Full Extension Slides
รางลิ้นชักแบบ 2 ตอน



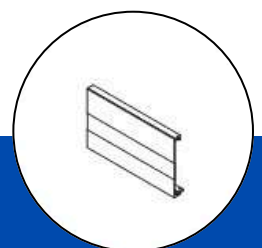
2. Drawer Sides
แผงข้าง สูง 86 มม



3. Back Fixing-brackets
ตัวยึดหลัง ซ้าย/ขวา



4. Front Fixing-brackets
ตัวยึดหน้าบาน



5. Front Section - Panel
1100 มม.
แผงด้านหน้า ยาว 1100 มม

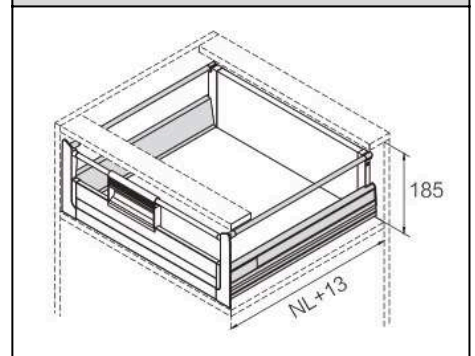
INNER TANDEM BOX WITH 1 RAIL

(A164 Softclose : Inner) and (A164 Push To Open : Inner)

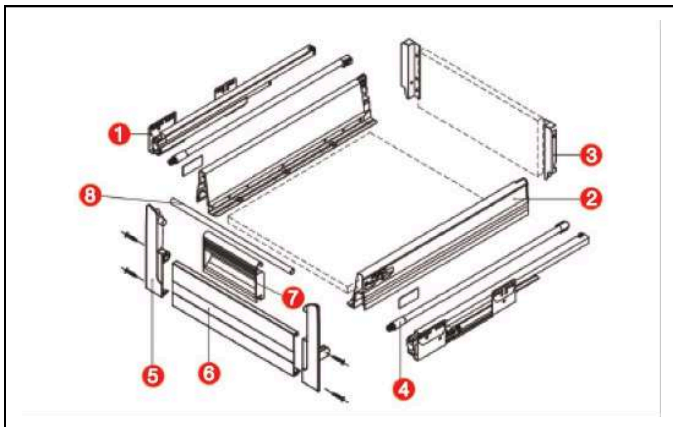


- Concealed, Full Extension, Synchronized Slides
- Finish : Silver Grey
- Light Opening & Closing, Smooth Sliding
- Quick Installation and Easy Dismantling
- Integrated 3D Front Panel Adjustment
- Dynamic Loading Capacity 40 Kg

Space Requirement



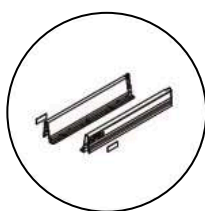
NL Nominal length



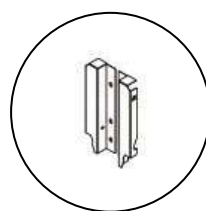
Components



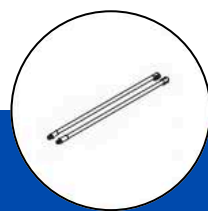
1. Full Extension Slides
รางลิ้นชักแบบ 2 ตอน



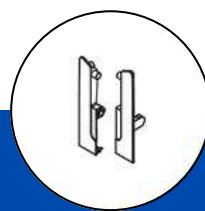
2. Drawer Sides
แผงข้าง สูง 86 มม



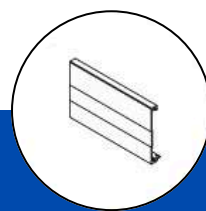
3. Back Fixing-brackets
ตัวยึดหลัง ซ้าย/ขวา



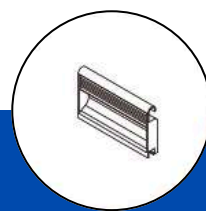
4. Rails Left/Right
เส้นกันข้าง ซ้าย/ขวา



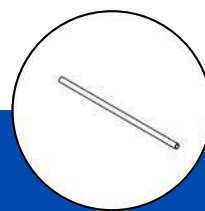
5. Front Fixing-brackets
ตัวยึดแผงด้านหน้า ซ้าย/ขวา



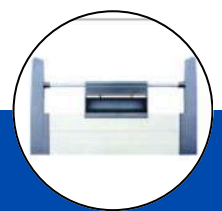
6. Front Section-Panel 1100 mm.
แผงด้านหน้า ยาว 1100 มม



7. Inner Drawer Handle
มือจับด้านหน้า



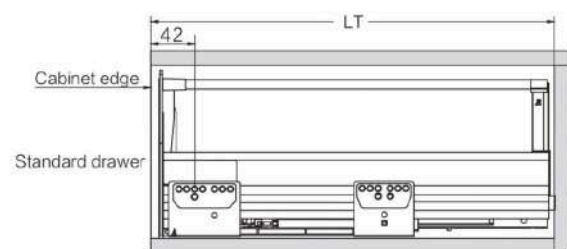
8. Front Section-Rail 1100 mm
เส้นหน้าสำหรับยึดมือจับ ยาว 1100 มม



Front Section set
ชุดแผงหน้า 5, 6, 7, 8

Installation Dimensions (mm)

Nominal Slide Length = NL Internal Cabinet Depth = LT = NL + 13



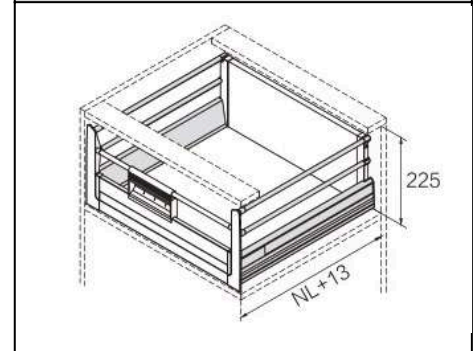
INNER TANDEM BOX WITH 2 RAILS

(A204 Softclose : Inner) and (A204 Push To Open : Inner)

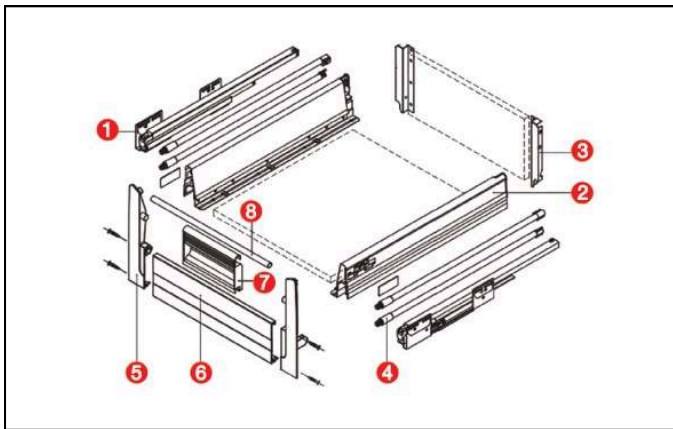


- Concealed, Full Extension, Synchronized Slides
- Finish : Silver Grey
- Light Opening & Closing, Smooth Sliding
- Quick Installation and Easy Dismantling
- Integrated 3D Front Panel Adjustment
- Dynamic Loading Capacity 40 Kg

Space Requirement



NL Nominal length



Item No.	Length	Slide
----------	--------	-------

A204-SC18-IN	450 mm (18")	Softclose
A204-SC20-IN	500 mm (20")	

Item No.	Length	Slide
----------	--------	-------

A204-PO18-IN	450 mm (18")	Push to Open
A204-PO20-IN	500 mm (20")	

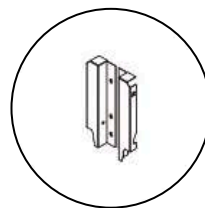
Components



1. Full Extension Slides
รางลื่นชักแบบ 2 ตอน



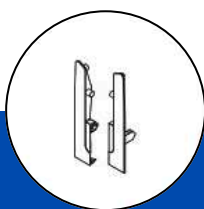
2. Drawer Sides
แผงข้าง สูง 86 มม



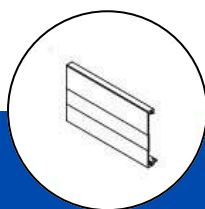
3. Back Fixing-brackets
ตัวยึดหลัง ช้าย/ขวา



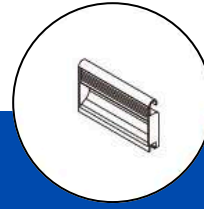
4. Two Rails Left/Right
เส้นกันข้าง 2 เส้น ช้าย/ขวา



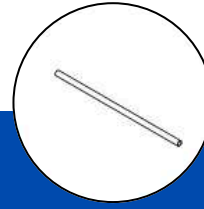
5. Front Fixing-brackets
ตัวยึดแผงด้านหน้า
ซ้าย/ขวา



6. Front Section-Panel 1100 mm.
แผงด้านหน้า ยาว 1100 มม



7. Inner Drawer Handle
มือจับด้านหน้า



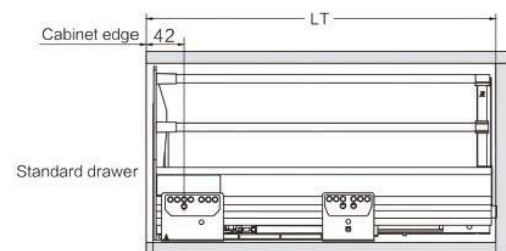
8. Front Section-Rail 1100 mm
เส้นหน้าสำหรับยึดมือจับ
ยาว 1100 มม



Front Section set
ชุดแผงหน้า 5, 6, 7, 8

Installation Dimensions (mm)

Nominal Slide Length = NL Internal Cabinet Depth = LT = NL + 13



INNER TANDEM BOX WITH TWIN WALL METAL SIDE PANEL

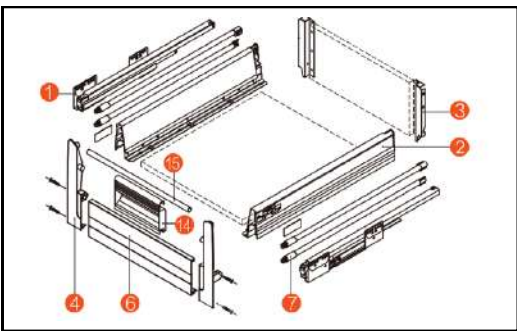
(A204-TW Softclose : Inner) and (A204-TW Push To Open : Inner)



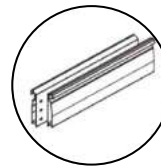
Item No.	Length	Slide
A204-SC18-INTW	450 mm (18")	Softclose
A204-SC20-INTW	500 mm (20")	

Item No.	Length	Slide
A204-PO18-INTW	450 mm (18")	Push to Open
A204-PO20-INTW	500 mm (20")	

Components



A204 Kit Package
ชุดอุปกรณ์ A204 ทั้งหมด



Twin Wall Metal Side
Panels Left/Right
แผงเหล็กด้านข้าง

INNER TANDEM BOX WITH ACRYLIC PANEL

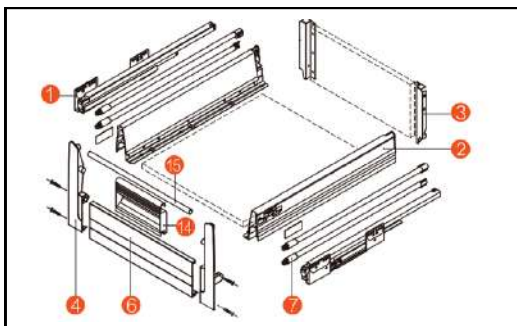
(A204-AC Softclose : Inner) and (A204-AC Push To Open : Inner)



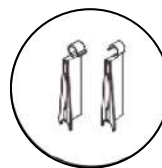
Item No.	Length	Slide
A204-SC18-INAC	450 mm (18")	Softclose
A204-SC20-INAC	500 mm (20")	

Item No.	Length	Slide
A204-PO18-INAC	450 mm (18")	Push to Open
A204-PO20-INAC	500 mm (20")	

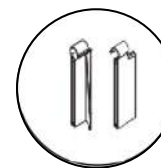
Components



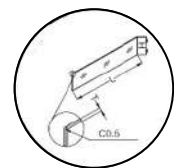
A204 Kit Package
ชุดอุปกรณ์ A204 ทั้งหมด



1.A204
Acrylic Clip 1
Left/Right
คลิปสำหรับติด
อะคริลิก 1



2.A204
Acrylic Clip 2
Left/Right
คลิปสำหรับติด
อะคริลิก 2



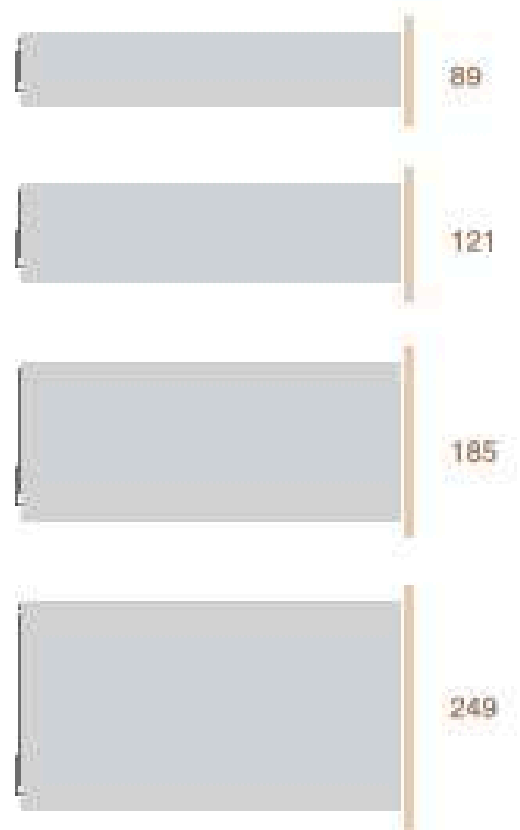
3.Acrylic
Left/Right
แผ่นอะคริลิกด้านข้าง
ซ้าย/ขวา

++ Installation Dimension is as same as page 12 ++



Ultra Thin Design, More Spacious Storage

- Multi-dimensional adjustment for front panel, Premium slide design with 3 sections synchronization feature



SLIM TANDEM BOX - LUXRY DRAWER

(S89-SC Softclose) and (S121-SC Softclose) and (S185-SC Softclose)

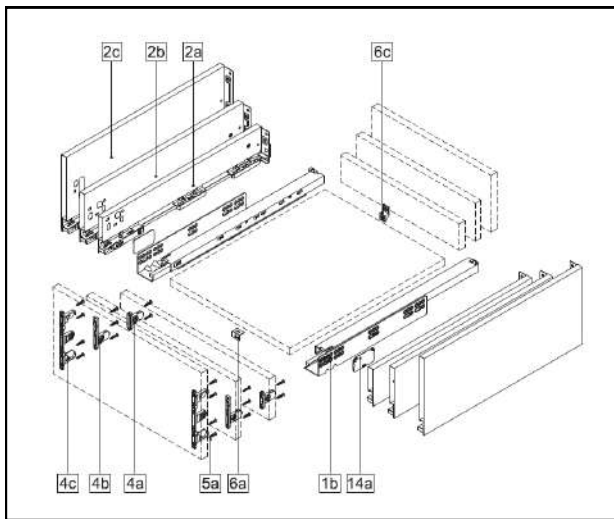
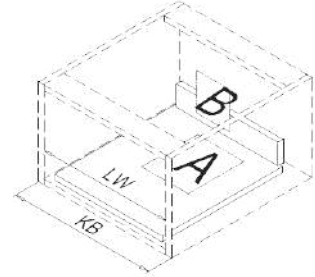


- Ultra thin design, more spacious storage
- Finish : Dark Grey
- Multi-dimensional adjustment for front panel,
- Premium slide design with 3 sections synchronization feature
- Dynamic Loading Capacity 40 KG

KB Cabinet Width

LW Internal Cabinet Width

NL Nominal Length

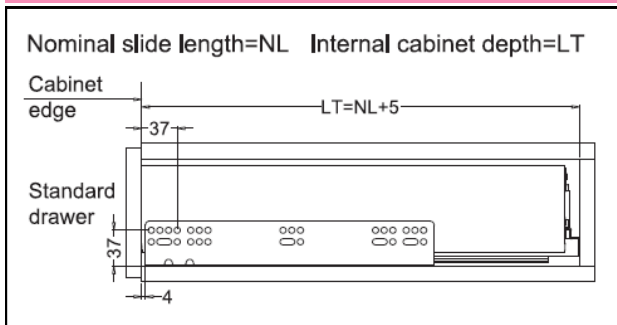


Item No.	Length	Slide
S89-SC18	450 mm (18")	
S89-SC20	500 mm (20")	
S121-SC18	450 mm (18")	Softclose
S121-SC20	500 mm (20")	
S185-SC18	450 mm (18")	
S185-SC20	500 mm (20")	

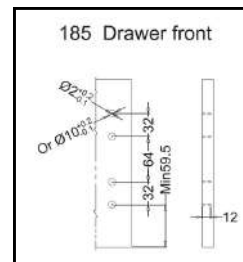
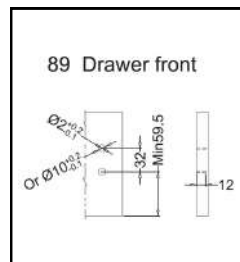
Components

- 1b. Full Extension Softclose Slides L/R
- 2a., 2b., 2c. 89, 121, 185 Drawer Sides L/R
- 4a., 4b., 4c. 89, 121, 185 Front Fixing-Brackets
- 5a. Front Fixing-Brackets Screw (Ø4x17)
- 6a. Front Fixing (for wide drawer)
- 6c. Back Fixing Bracket (for wide drawer)
- 14a. Side Cover Plate

Installation Dimensions (mm)

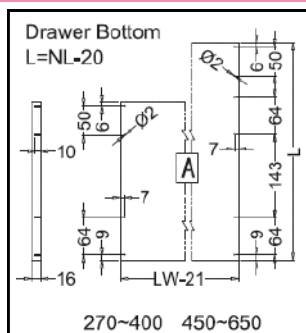
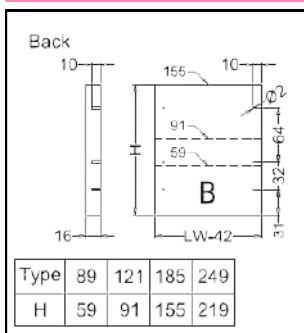


Drawer Installation Dimensions (mm)

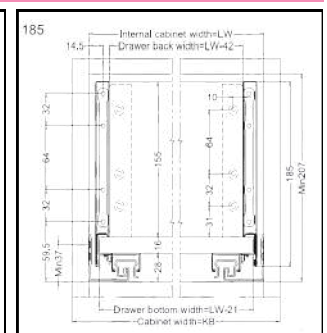
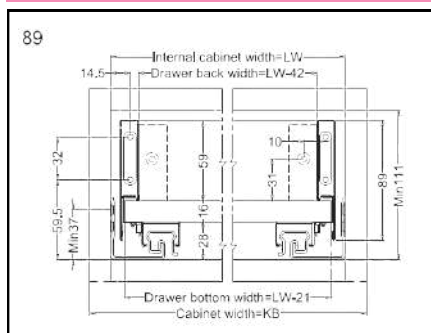


Selection	Drill Size
Wood screw	Ø2 x 12
Anchor bolt	Ø10 x 12

Drawer Back and Bottom Dimensions (mm)



Drawer Installation Dimensions (mm)





Glass Front Panel Design

- Flexible combination design with height extension side panel



INNER SLIM TANDEM BOX - LUXURY DRAWER

(S89-SC, S121-SC, S185-SC Softclose : Inner)

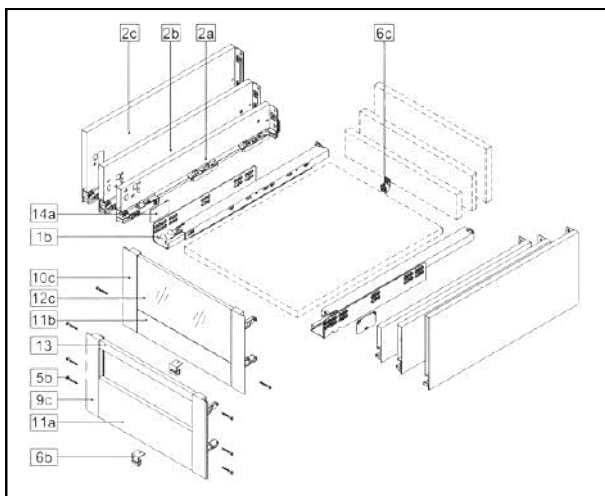
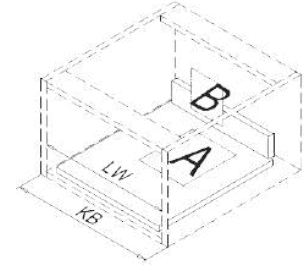


- Ultra thin design, more spacious storage
- Finish : Dark Grey
- Multi-dimensional adjustment for front panel,
- Premium slide design with 3 sections synchronization feature
- Dynamic Loading Capacity 40 KG

KB Cabinet Width

LW Internal Cabinet Width

NL Nominal Length

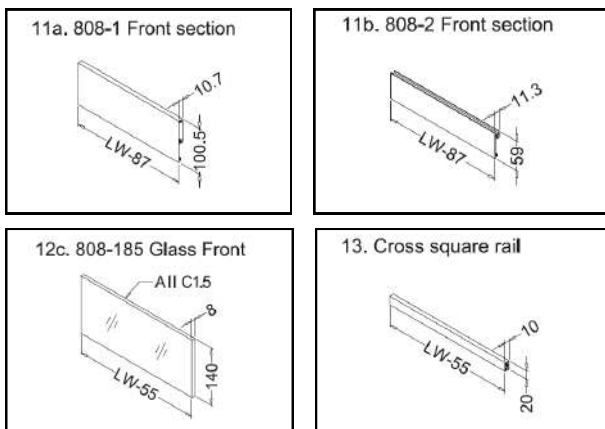


Item No.	Length	Slide
S89-SC18-IN	450 mm (18")	
S89-SC20-IN	500 mm (20")	
S121-SC18-IN	450 mm (18")	Softclose
S121-SC20-IN	500 mm (20")	
S185-SC18-IN	450 mm (18")	
S185-SC20-IN	500 mm (20")	

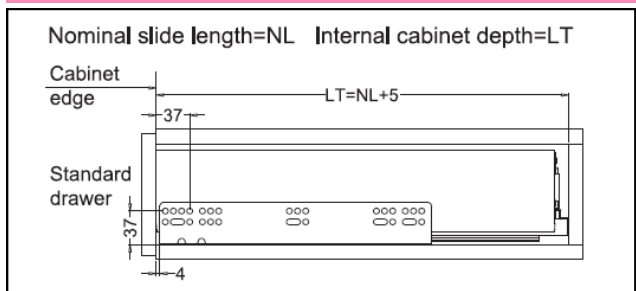
Components

- 1b.** Full Extension Softclose Slides L/R
- 2a., 2b., 2c.** 89, 121, 185 Drawer Sides L/R
- 5b.** Front Fixing-Brackets Screw (Ø4x30)
- 6b.** Bottom Fixing (for wide drawer)
- 6c.** Back Fixing Bracket (for wide drawer)
- 9c.** 185-1 Front Fixing Brackets L/R
- 10c.** 185-2 Front Fixing Brackets L/R
- 11a.** Front Section **11b.** Front Section **12c.** 185 Glass Front
- 13.** Cross Square Rail **14a.** Side Cover Plate

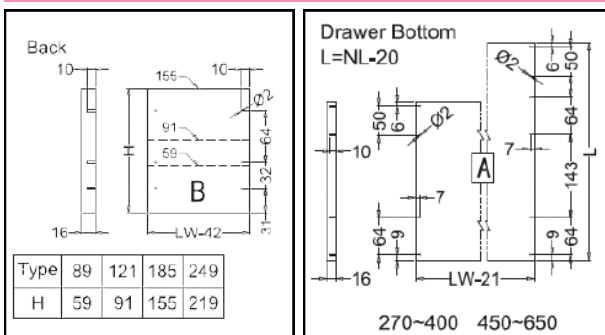
Installation Dimensions (mm)



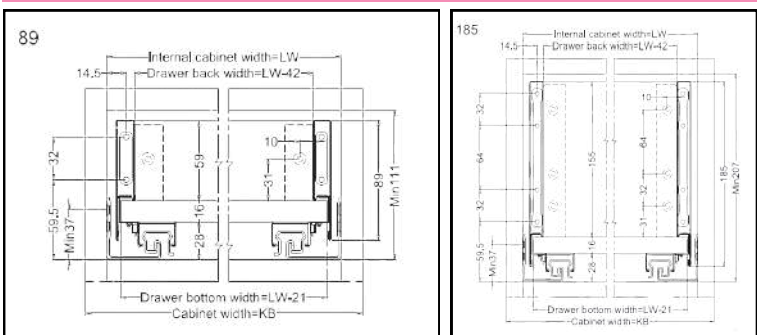
Installation Dimensions (mm)

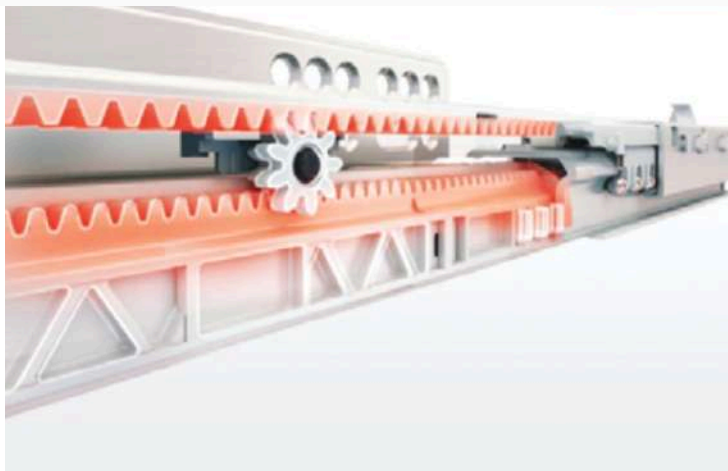


Drawer Back and Bottom Dimensions (mm)



Drawer Installation Dimensions (mm)





Excellence Innovative

Full Extension Synchronized Undermount Slides

- Innovative Technology, Real Full Extension Synchronize Undermount Slides.
- Silent and Smooth Design by Excellent Workmanship.
- Easy, Smooth and Silent Drawer System.
- Longer Product Life.

Full Extension Synchronized Undermount Slides

Best Experience Quick Installation

- Equipped with quick installation and disassemble of the 3D handle
- Tool-free adjustment drawer panel
- Three-dimensional, six-way adjustment



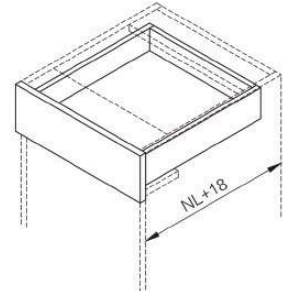
SYNCHRONIZED FULL EXTENSION CONCEALED UNDERMOUNT SLIDES WITH 3D LOCKING BRACKETS

(F-SC : Softclose) and (F-PO : Push to Open Slide)

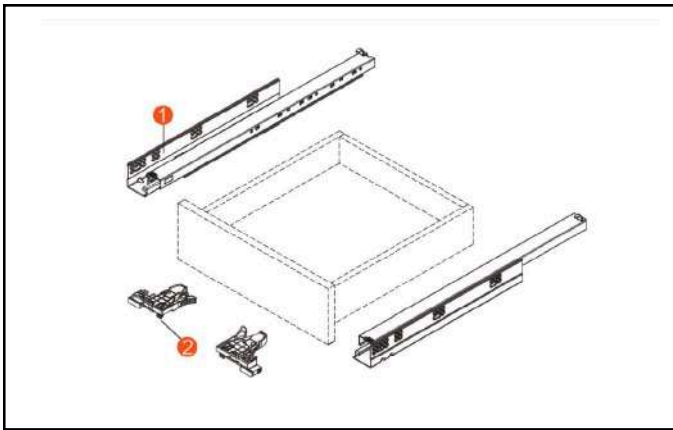


- Synchronized more light, more silent, more smooth, self & soft close system
- Quick and easy assembling and dismantle the drawer
- Height adjustment 0 - +3 mm
- Side adjustment +1.5 mm
- Depth (In and Out) adjustment 0 - +3 mm
- Loading capacity 40 Kg

Space Requirement

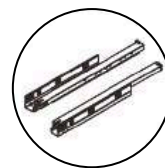


NL Nominal length

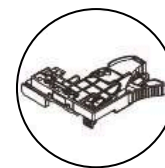


Item No.	Length	Slide
F-SC12-PLUS	300 mm (12")	Softclose
F-SC14-PLUS	350 mm (14")	
F-SC16-PLUS	400 mm (16")	
F-SC18-PLUS	450 mm (18")	
F-SC20-PLUS	500 mm (20")	

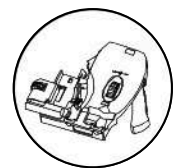
Item No.	Length	Slide
F-PO12-PLUS	300 mm (12")	Push To Open
F-PO14-PLUS	350 mm (14")	
F-PO16-PLUS	400 mm (16")	
F-PO18-PLUS	450 mm (18")	
F-PO20-PLUS	500 mm (20")	



1. Full Extension Slides
รางลื่นชักแบบ 2 ตอน

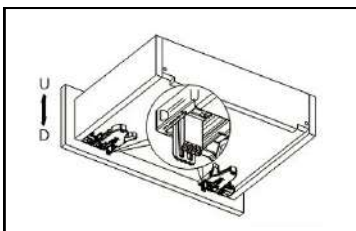


2. Locking Brackets #10-2 Left/Right for 18", 20" คลิปสำหรับปรับระยะ

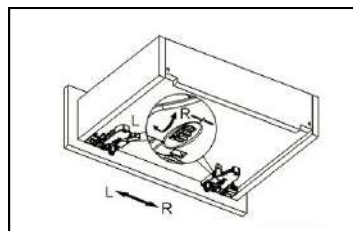


2. Locking Brackets #9-2 Left/Right for 12", 14", 16" คลิปสำหรับปรับระยะ

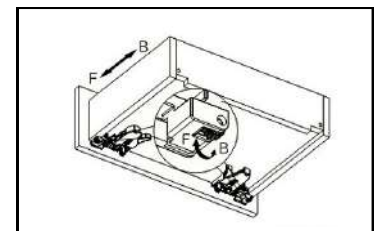
Height adjustment 0 + 3 mm



Side adjustment + 1.5 mm

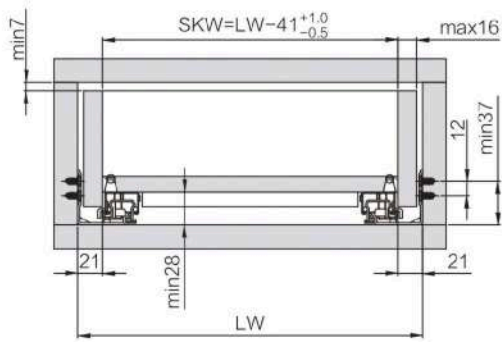


Depth (In and Out) adjustment 0 + 3 mm

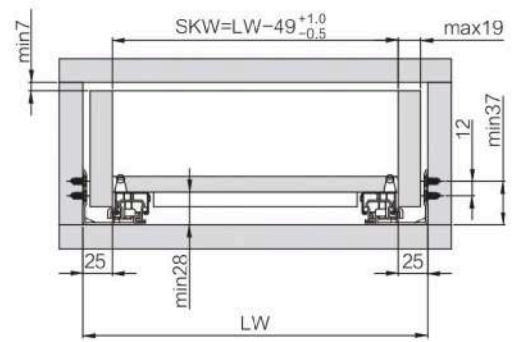


Installation Dimensions (mm)

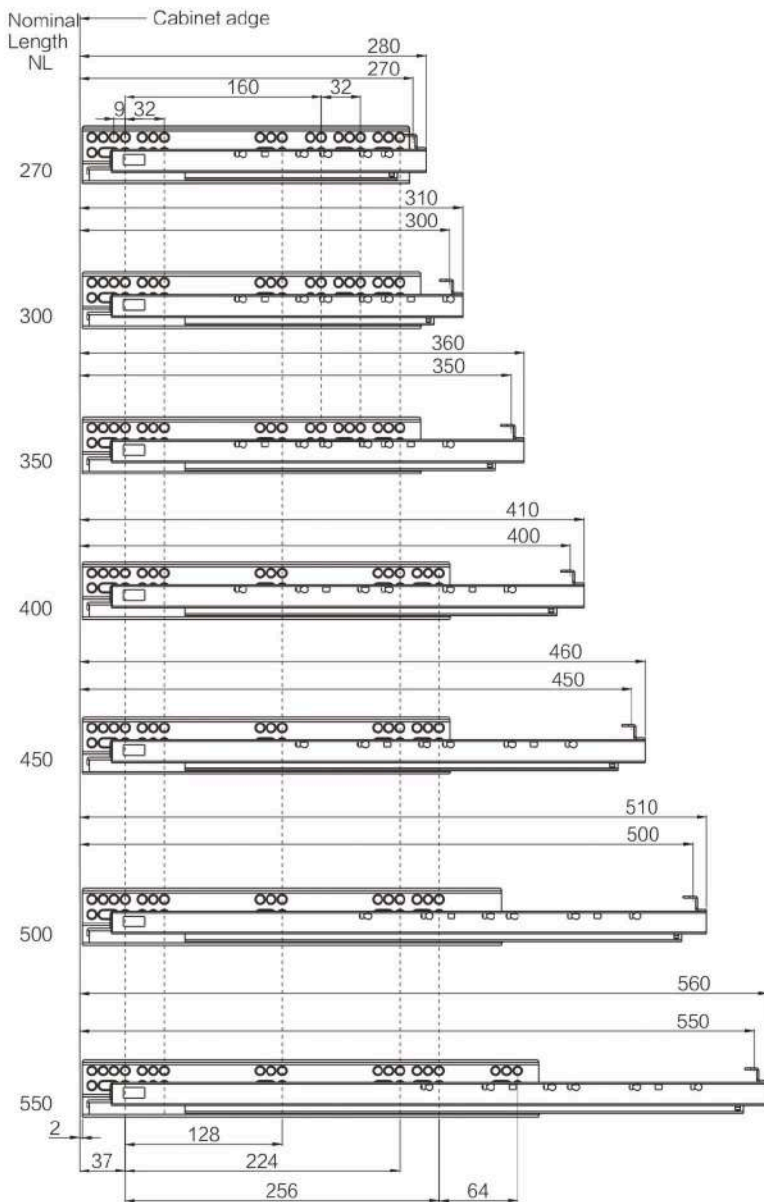
Installation for drawer with max 16mm thick drawer side
 LW=Internal Cabinet Width SKW=Internal drawer Width



Installation for drawer with max 19mm thick drawer side
 LW=Internal Cabinet Width SKW=Internal drawer Width

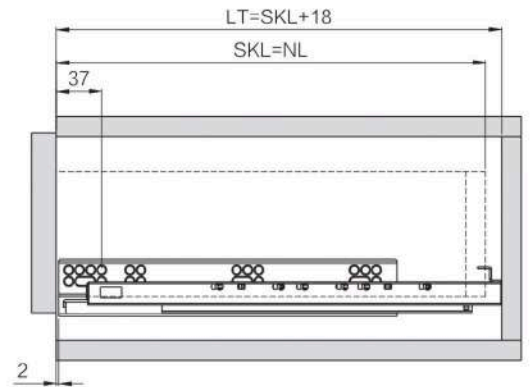


Installation Dimensions (mm)

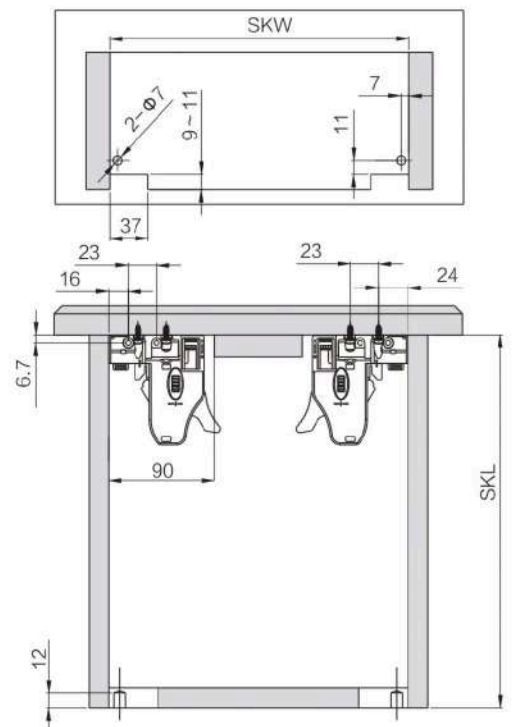


Drawer Dimensions (mm)

SKL Drawer length
 LT Inside cabinet length (min.)



Drawer box specification (mm)

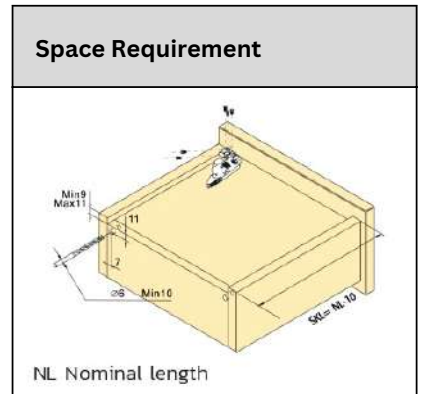


SYNCHRONIZED FULL EXTENSION CONCEALED UNDERMOUNT SLIDES WITH 3D LOCKING BRACKETS

(F-SP : Softclose + Push to Open Slide)



- Synchronized more light, more silent, more smooth, self & soft close system
- Quick and easy assembling and dismantle the drawer
- Height adjustment 0 - +3 mm
- Side adjustment +1.5 mm
- Depth (In and Out) adjustment 0 - +3 mm
- Loading capacity 35 Kg

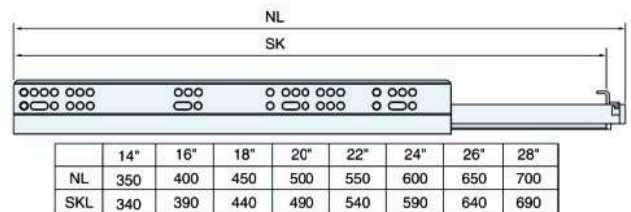


Item No.	Length	Slide
F-SP14-PLUS	350 mm (14")	Softclose
F-SP16-PLUS	400 mm (16")	&
F-SP18-PLUS	450 mm (18")	Push to Open

Optional Accessories

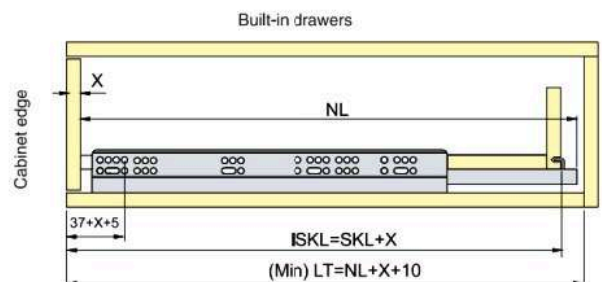
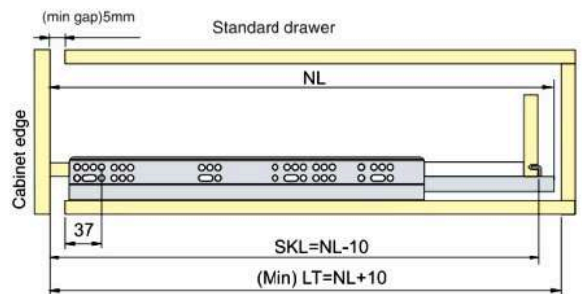
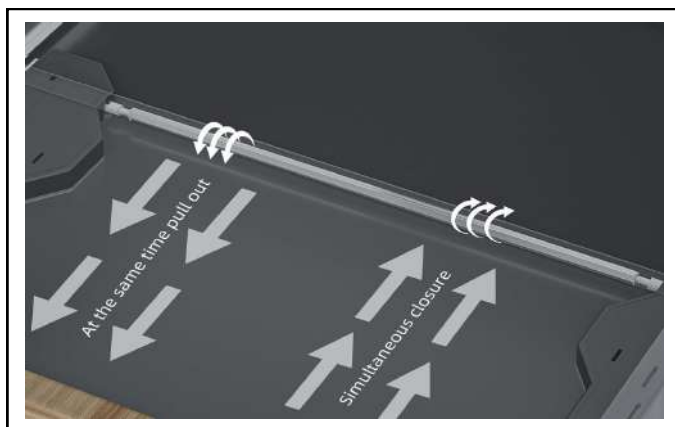
F-SP-SGR 1000 mm. Gallery Rail

Remark : Suitable for cabinet width > 800 mm.



Synchronous Gallery Rail

- Bottom-mounted synchro rod for stable pressing, synchronised eiection and cushioned synchronised reset
- Equipped with connector and two synchronised levers, which can be cut and fitted according to the width of the drawer it self.



Ø35 MM

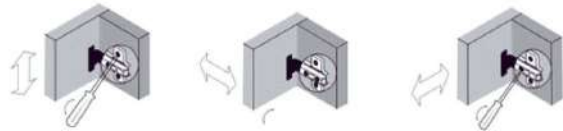
SOFTCLOSE CUP HINGE : CLIP-ON (HIN01-3D)



< Product description

- Open angle : 105 degree
- Diameter of hinge cup : 35 mm.
- Cup depth : 11.5 mm.
- Face panel (k) measurement : 3 - 7 mm
- Recommended door thickness : 14 - 21 mm
- K = Hinge cup drilling distance
- D = Door panel coverage distance
- H = Hinge base height
- A = Embed hinge door panel clearance
- T = Door panel thickness

Three-dimensional adjustment



Type	Item no.
Full Overlay	F-HIN01-3D

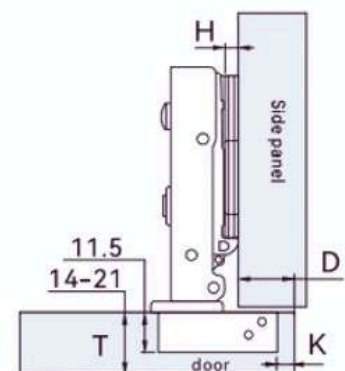
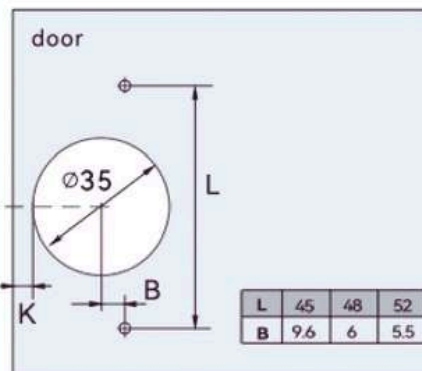
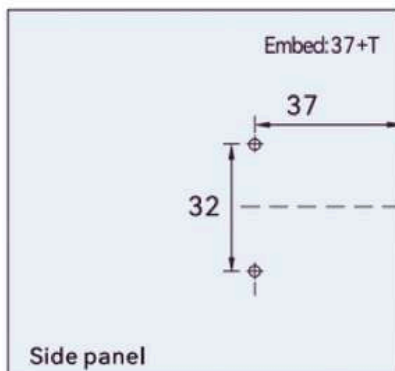
Type	Item no.
Half Overlay	H-HIN01-3D

Type	Item no.
Inset Overlay	I-HIN01-3D

D \ H	K 3	K 4	K 5	K 6	K 7
H=0	17	18	19	20	21
H=3	14	15	16	17	18
H=5	12	13	14	15	16

D \ H	K 3	K 4	K 5	K 6	K 7
H=0	9	10	11	12	13
H=3	6	7	8	9	10
H=5	4	5	6	7	8

A \ H	K 3	K 4	K 5
H=0	-2.5	-1.5	-0.5



Ø35 MM

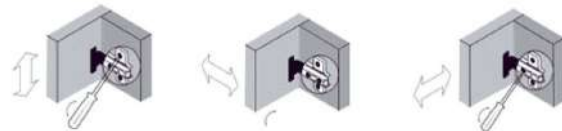
SOFTCLOSE CUP HINGE : CLIP-ON (HIN03-3D)



< Product description

- Open angle : 105 degree
- Diameter of hinge cup : 35 mm.
- Cup depth : 11.5 mm.
- Face panel (k) measurement : 3 - 7 mm
- Recommended door thickness : 14 - 21 mm
- K = Hinge cup drilling distance
- D = Door panel coverage distance
- H = Hinge base height
- A = Embed hinge door panel clearance
- T = Door panel thickness

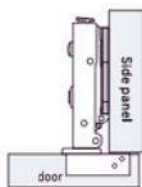
Three-dimensional adjustment



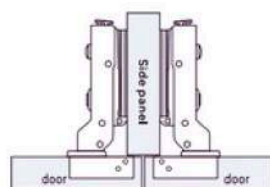
Type	Item no.
Full Overlay	F-HIN03-3D

Type	Item no.
Half Overlay	H-HIN03-3D

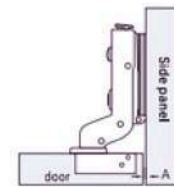
Type	Item no.
Inset Overlay	I-HIN03-3D



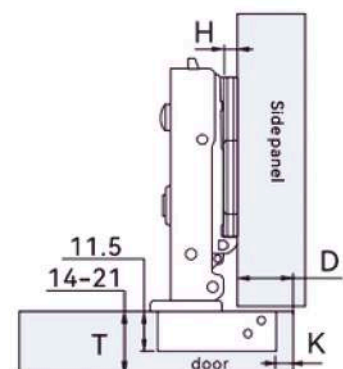
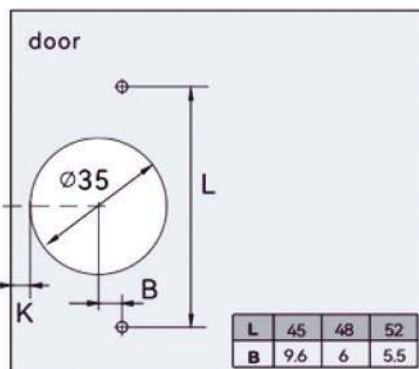
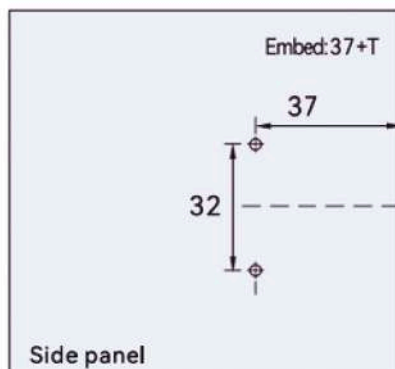
D	K	3	4	5	6	7
H=0		17	18	19	20	21
H=3		14	15	16	17	18
H=5		12	13	14	15	16



D	K	3	4	5	6	7
H=0		9	10	11	12	13
H=3		6	7	8	9	10
H=5		4	5	6	7	8



A	K	3	4	5
H=0		-2.5	-1.5	-0.5



Ø40 MM

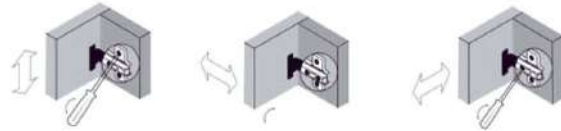
SOFTCLOSE CUP HINGE : CLIP-ON (HIN06-40)



< Product description

- Open angle : 95 degree
- Diameter of hinge cup : 40 mm.
- Cup depth : 12.8 mm.
- Face panel (k) measurement : 3 - 7 mm
- Recommended door thickness : 16 - 30 mm
- K = Hinge cup drilling distance
- D = Door panel coverage distance
- H = Hinge base height
- A = Embed hinge door panel clearance
- T = Door panel thickness

Three-dimensional adjustment



Type	Item no.
Full Overlay	F-HIN06-40

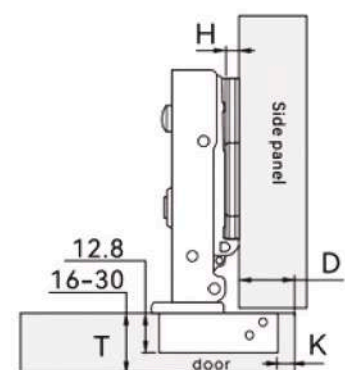
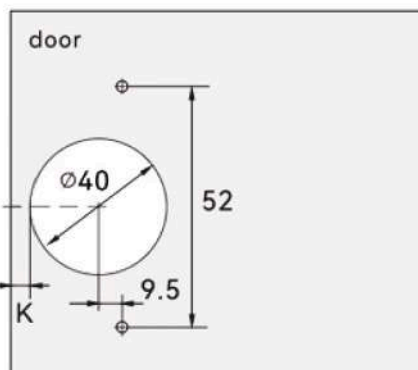
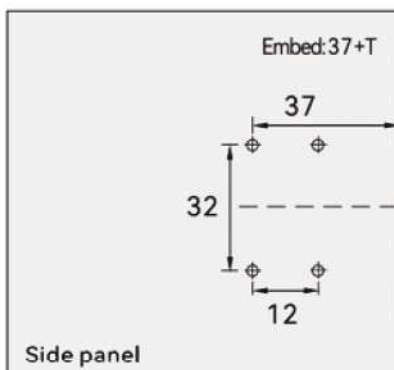
Type	Item no.
Half Overlay	H-HIN06-40

Type	Item no.
Inset Overlay	I-HIN06-40

D \ H	3	4	5	6	7
H=0	21	22	23	24	25
H=3	18	19	20	21	22
H=5	16	17	18	19	20

D \ H	3	4	5	6	7
H=0	12	13	14	15	16
H=3	9	10	11	12	13
H=5	7	8	9	10	11

A \ H	3	4	5
H=0	-2.5	-1.5	-0.5



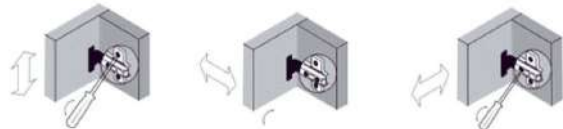
SOFTCLOSE HINGE FOR ALUMINIUM FRAME (HIN07-ALF)



< Product description

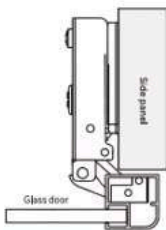
- Open angle : 95 degree
- Aluminum profile specification : 19 - 22 mm.
- D = Door panel coverage distance
- H = Hinge base height
- A = Door panel clearance
- V = Aluminum profile thickness
- T = Aluminum profile thickness

Three-dimensional adjustment

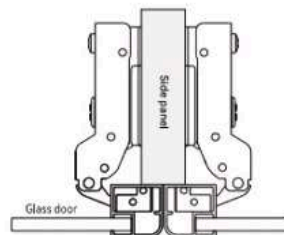


Type	Item no.
Full Overlay	F-HIN07-ALF

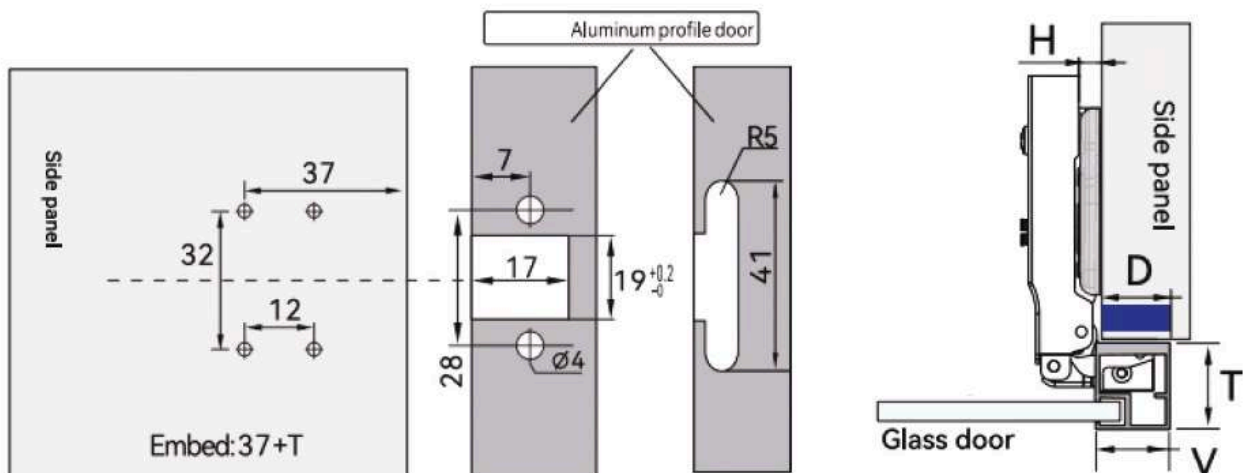
Type	Item no.
Half Overlay	H-HIN07-ALF



D \ V	19	20	21	22
H=0	17	18	19	20
H=2	15	16	17	18
H=4	13	14	15	16



D \ V	19	20	21	22
H=0	8	9	10	11
H=2	6	7	8	9
H=4	4	5	6	7



Ø35 MM

90° ANGLE CUP HINGE SERIES : SLIDE ON (HIN08-90)



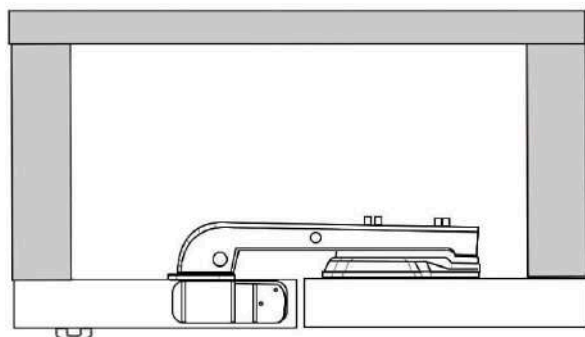
< Product description

- Special Angle Hinge - for blind corner cabinet
- Open angle 90 degree
- Diameter of hinge cup : 35 mm
- Cup depth : 11.5 mm
- Drilling distance on the door (k) : 3 - 6 mm
- Recommended door thickness : 14 - 21 mm
- Door adjustment
Height adjustment : +2 mm - 2 mm
Side adjustment : +2 mm - 2 mm
Depth adjustment : +3 mm - 2 mm

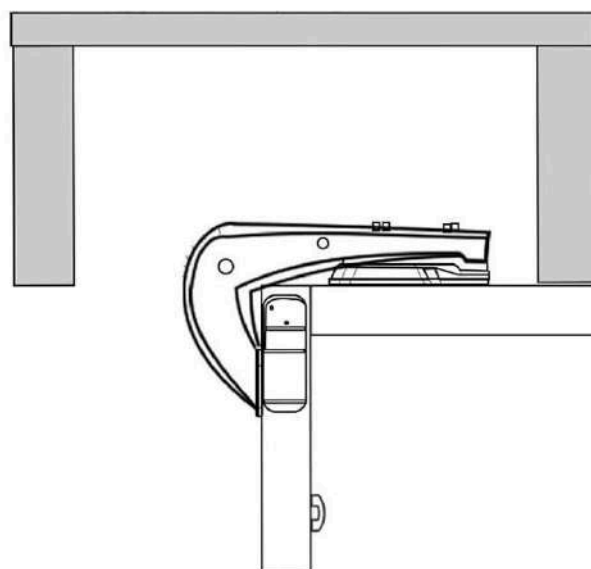
Type	Item no.
Full Overlay	F-HIN08-90



Close 180 degrees



Open 90 degrees



Ø35 MM

135° ANGLE CUP HINGE SERIES : SLIDE ON (HIN04-135)

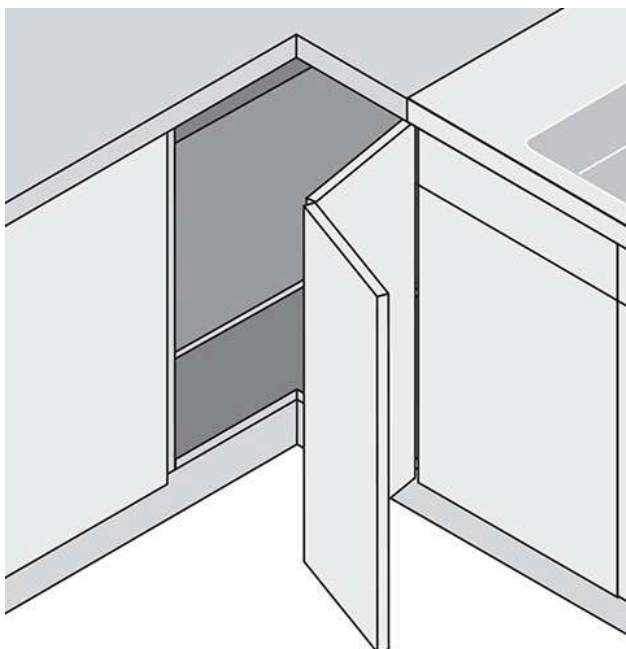
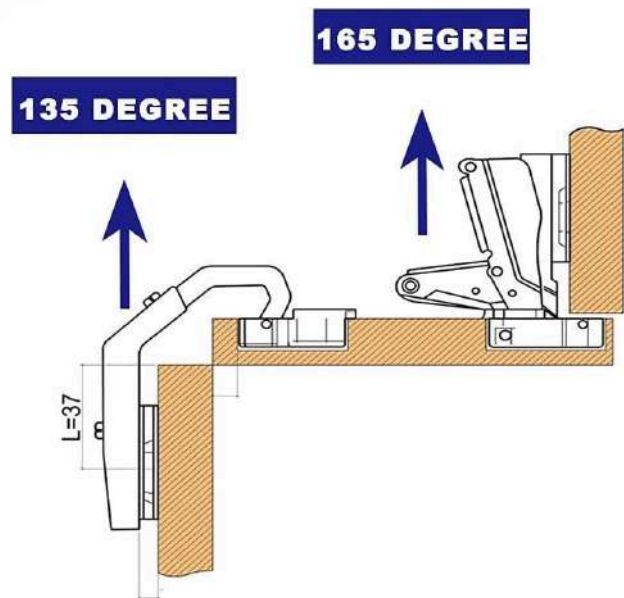


< Product description

- Special Angle Hinge – for folding doors
- Open angle 135 degree
- Diameter of hinge cup : 35 mm
- Cup depth : 11.5 mm
- Drilling distance on the door (k) : 3 - 6 mm
- Recommended Door thickness : 14 - 22 mm

Applied with 165 degree hinges (F-HIN05-165)

Type	Item no.
Full Overlay	F-HIN04-135



Ø35 MM

165° EUROPEAN SOFTCLOSE HINGE : CLIP-ON (HIN05-165)

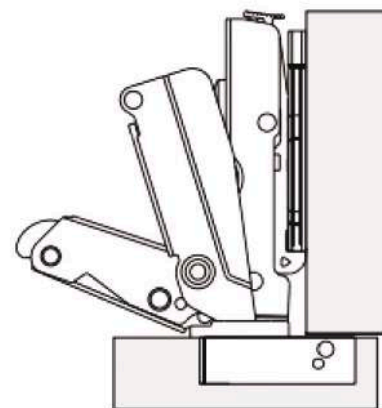


< Product description

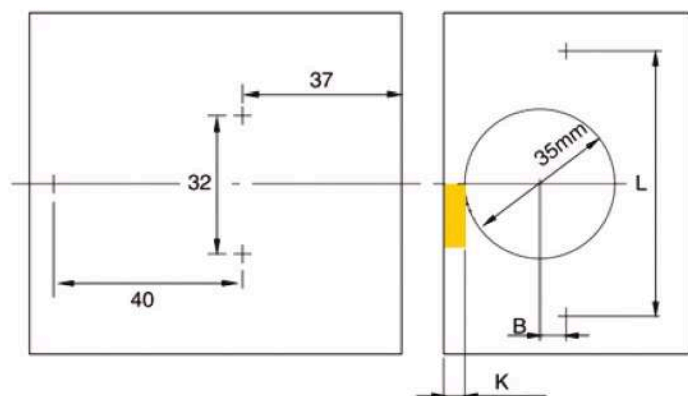
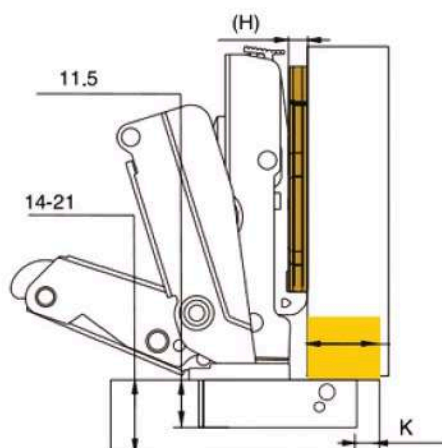
- Open angle : 165 degree
- Diameter of hinge cup : 35 mm
- Cup depth : 11.5 mm
- Drilling distance on the door (k) : 3 - 7 mm
- Recommended Door thickness : 14 - 21 mm
- K = Hinge cup drilling distance
- D = Door panel coverage distance
- H = Hinge base height
- A = Embed hinge door panel clearance
- T = Door panel thickness

Type	Item no.
Full Overlay	F-HIN05-165

(H)	↖				
	3	4	5	6	7
H=0	17	18	19	20	21
H=3	14	15	16	17	18
H=5	12	13	14	15	16



Full overlay



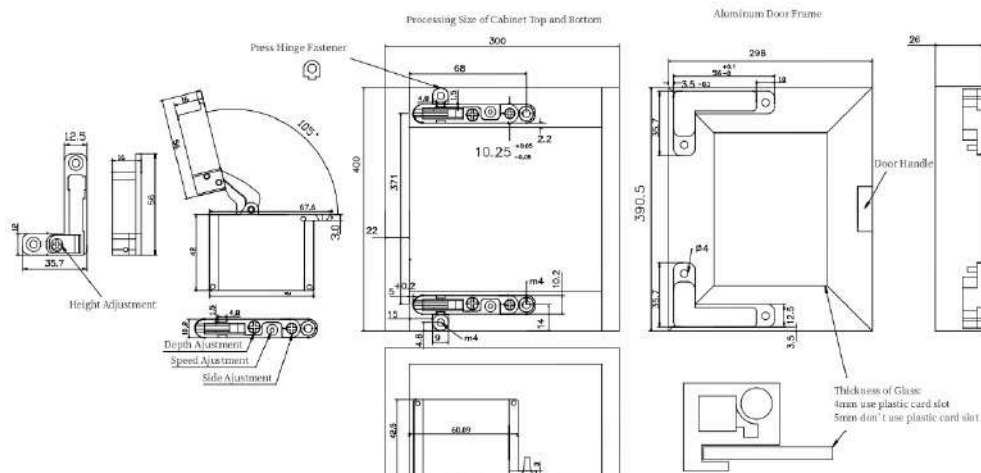
SOFTCLOSE INVISIBLE AIR HINGE (AIR-HIN01)



< Product description

- Opening angle : 105 degree
- Widely Used for Wooden and Aluminium Frame door
- Small and Compact Shape
- Installation on the Top and Bottom
- Loading Capacity 25 Kgs.
- Various Adjustment
Depth Adjustment
Speed Adjustment
Side Adjustment
Height Adjustment

Type	Item no.
Air Hing	AIR-HIN01



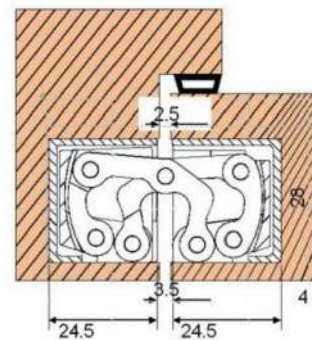
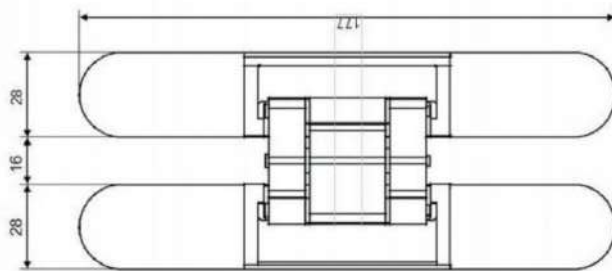
3D ADJUSTABLE CONCEALED HINGE (HG125)



< Product description

- Opening angle : 180 degree
- Max.door weight with **2 hinges** : 80 kgs.
- Min.door thickness 40 mm.
- Max.door width 1000 mm.
- Slim design for thin door 24 mm
- Materials : Zinc Alloy Alumumium
- Door Adjustment
Vertical Adjustment +-3
Horizontal Adjustment +-2
Depth Adjustment +-1

Type	Item no.
Conceled Hing	HG125



HYDRAULIC FLAP STAY

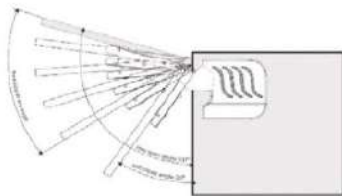


Product description

Single Lift up system

(FS100)

- Max Capacity : 8 kgs.
- Color : Grey + Chrome
- Material : Zinc Alloy, Plastic



HYDRAULIC FLAP STAY

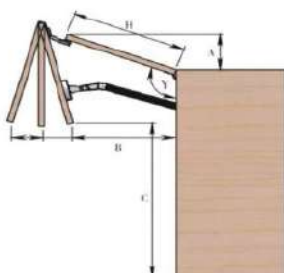


Product description

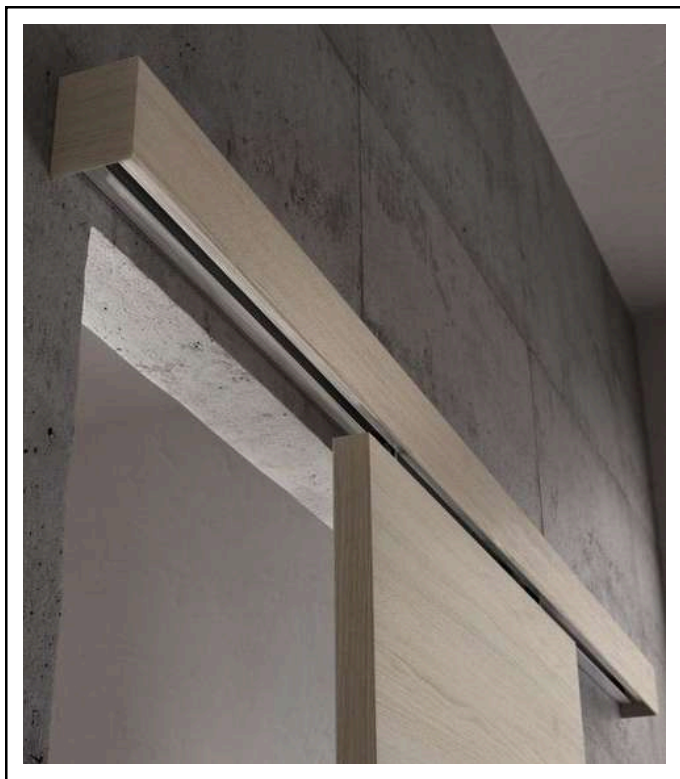
Double Lift up system

(FS227)

- Max Capacity : 6 kgs
- Color : Grey + Chrome
- Material : Zinc Alloy, Plastic



S LIDING DOOR SYSTEM



Double Softclose Sliding Roller

For Wooden Door & Frame (M981D)

For Glass Door (M90D)

Telescopic Sliding Door Roller

Softclose 3 link door (ML903)

Furniture Fitting & Better



DOUBLE SOFTCLOSE SLIDING ROLLER



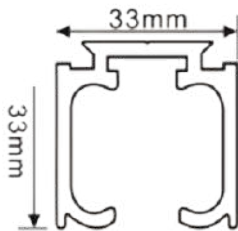
Double Softclose Sliding Roller

- Item No. : M981D
- For installation with : Wooden Door
Aluminium Frame Door
- Material : Zinc alloy + Nylon
- Load Bearing : 80 KG.



Double Softclose Sliding Roller

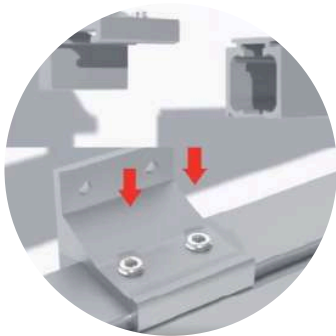
- Item No. : M90D
- For installation with : Glass Door
- Material : Zinc alloy + Nylon
- Load Bearing : 80 KG.



Aluminium Profile for M981D / M90D

- Item No. : MD914-2
- Material : Aluminium
- Length : 3 M.

OPTIONAL



Side Mounting Hanger

Item No. : MD9142
Material : Aluminium

Remark : 1 m. need 3 Pcs



Side Decoration For Two End

Item No. : MD9143
Color : Grey

Remark : 1 Pair = 2 Pcs.



Side Mount Decoration Cover

Item No. : MD9145
For Roller : M981D
Length : 3 M.

Top Mount Decoration Cover

Item No. : MD9146
For Roller : M90D
Length : 3 M.

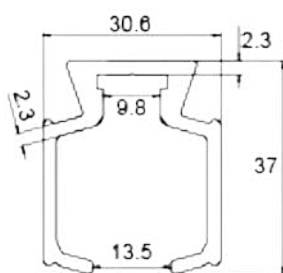
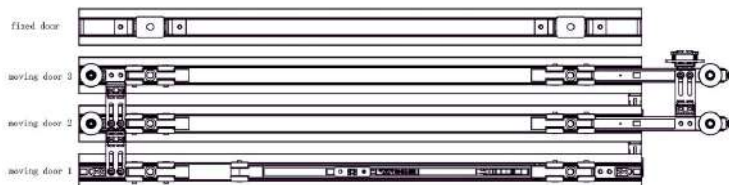
TELESCOPIC SLIDING DOOR ROLLER



Softclose 3 Link Door Roller

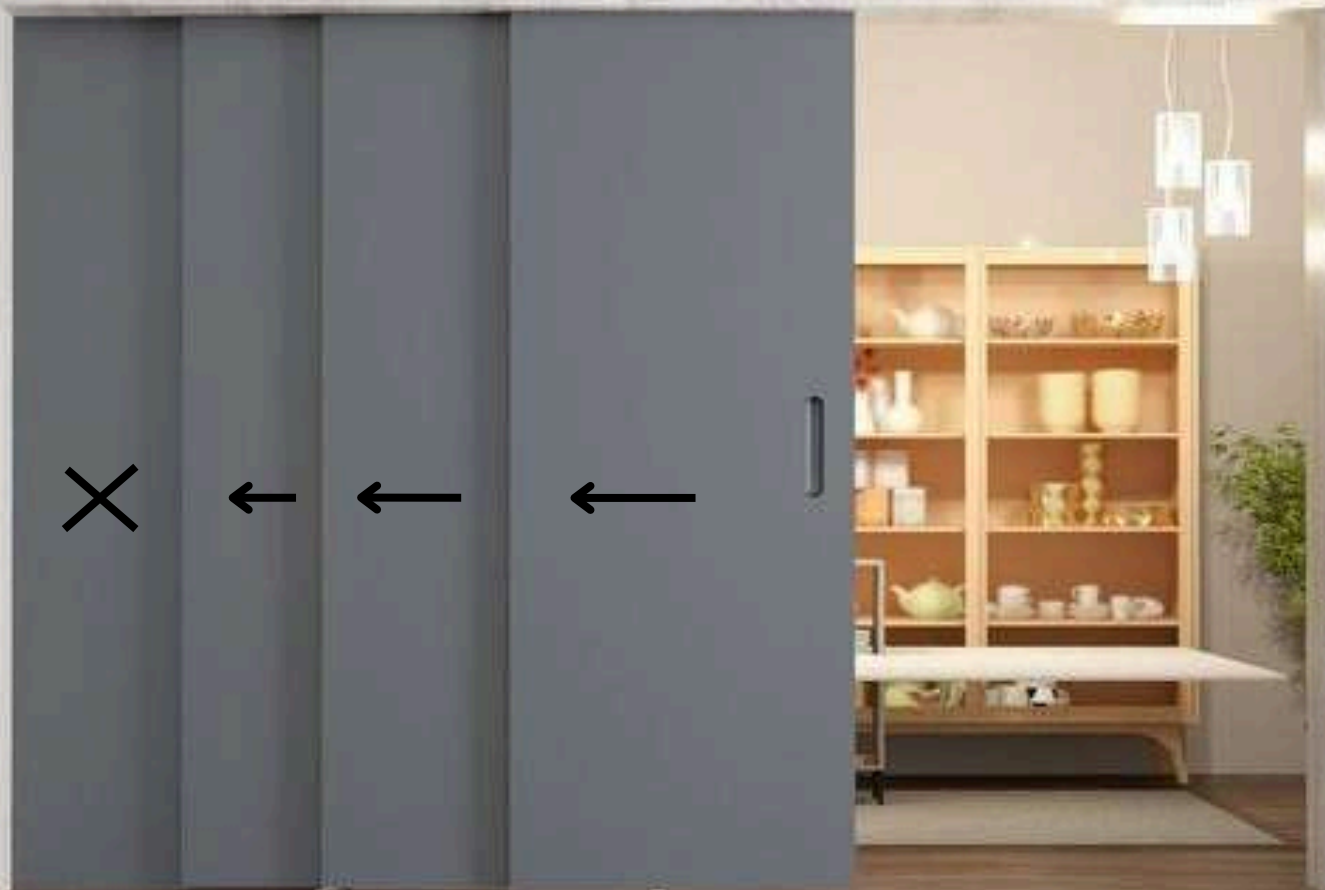
- Item No. : ML903
- For installation with: Aluminium Frame Door
- Load Bearing : 80 - 120 KG.

Ramark : 4 Doors (3 Link Door + 1 Fix Door)



Aluminium Profile for ML903

- Item No. : MD934-2
- Material : Aluminium
- Length : 3 M.

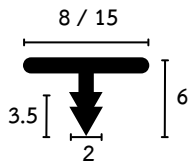


ALUMINIUM TRIM STRIP

คืออลูมิเนียมสำหรับตกแต่งหน้าบานตู้




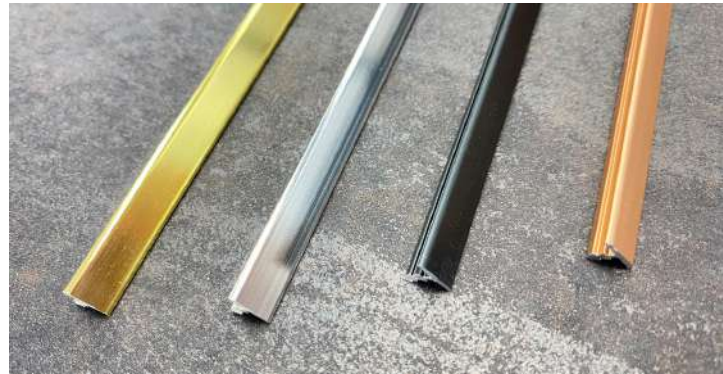
T SHAPE ALUMINIUM TRIM STRIP



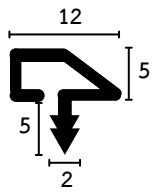
- (T-BL08) Black - Matt
- (T-PG08) Pink Gold - Matt
- (T-SV08) Silver - Shiny
- (T-GD08) Golden - Shiny
- (T-GD15) Golden - Brush

COLOR     SIZE : 8 MM. (3 M.)

COLOR  SIZE : 15 MM. (3 M.)



G SHAPE ALUMINIUM TRIM STRIP

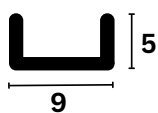


- (G-GD12) Golden - Matt
- (G-PG12) Pink Gold - Matt

COLOR   SIZE : 12 MM. (3 M.)

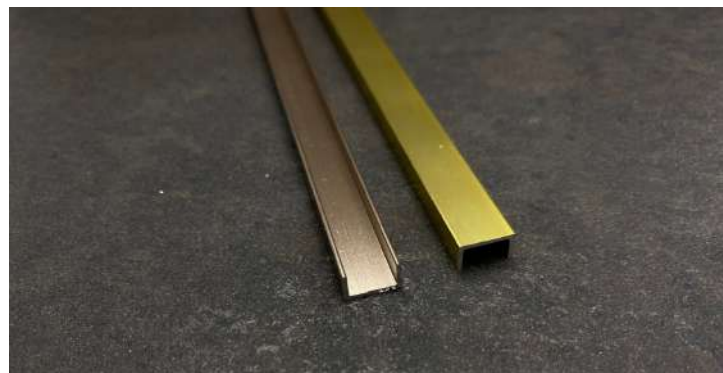


U SHAPE ALUMINIUM TRIM STRIP



- (U-GD9.5) Golden - Shiny
- (U-PG9.5) Pink gold - Shiny

COLOR   SIZE : 9 MM. (3 M.)

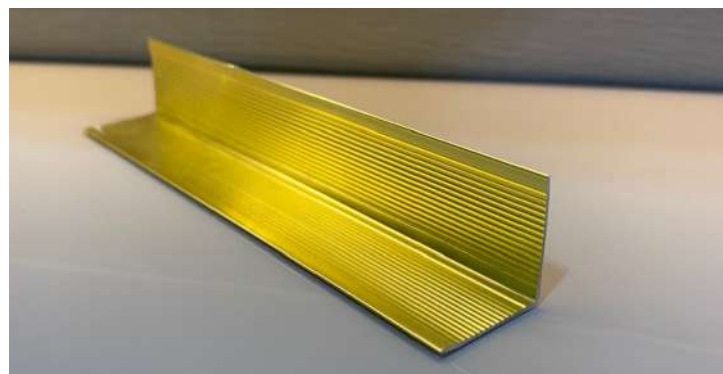


L SHAPE ALUMINIUM TRIM STRIP



- (L-GD20) Golden - blush

COLOR  SIZE : 20 MM. (3 M.)





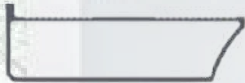
K539



K540



K208



K210



Pink Gold Brush



Black Matt



Accessories for Aluminum Frame



Hinges



Air Hinge



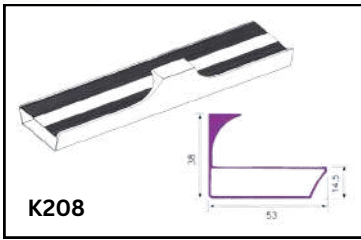
Connector



Screw

ALUMINIUM FRAME

เฟรมอลูมิเนียม รุ่นโซว์ขอบกระจก



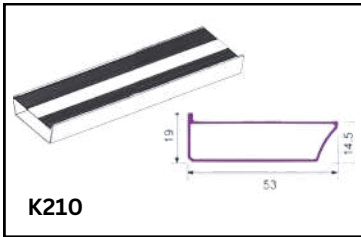
Aluminium Frame with Milling Handle

Item No

K208-BM-2600

เฟรมอลูมิเนียมสำหรับกระจก 5 mm.

- Length : 2600 mm. ● Black Matt



Aluminium Frame

Item No

K210-BM-2600

เฟรมอลูมิเนียมสำหรับกระจก 5 mm.

- Length : 2600 mm. ● Black Matt



Accessories (Corner Connector)

Item No

L201

ตัวยึดมุมเฟรมใหญ่

- Ramark : 1 Set = 4 Pcs.

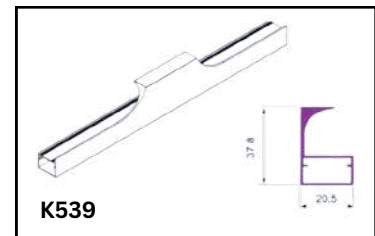
Aluminium Frame with Milling Handle

Item No

K539-1000

เฟรมอลูมิเนียมสำหรับกระจก 5 mm.

- Length : 1000 mm. ● Pink Gold Brush
- Length : 2600 mm. ● Black Matt



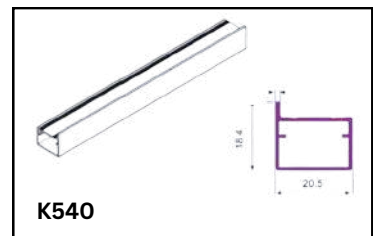
Aluminium Frame

Item No

K540-1000

เฟรมอลูมิเนียมสำหรับกระจก 5 mm.

- Length : 1000 mm. ● Pink Gold Brush
- Length : 2600 mm. ● Black Matt



Accessories (Corner Connector)

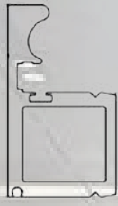
Item No

L203

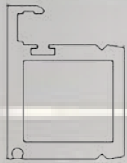
ตัวยึดมุมเฟรมเล็ก

- Ramark : 1 Set = 4 Pcs.





CWJ-153



CWJ-154



Black Matt



Gold Brush



Grey Matt



Pink Gold Brush

Accessories for Aluminum Frame



Hinges



Air Hinge



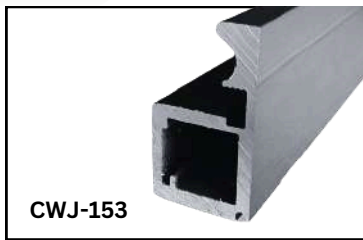
Connector



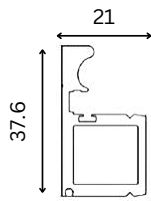
Screw

ALUMINIUM FRAME

เฟรมอลูมิเนียม รุ่นขอบ SLIM



CWJ-153



Aluminium Frame with Milling Handle

Item No	CWJ-153
---------	---------

เฟรมอลูมิเนียมสำหรับกระจก 5 mm.

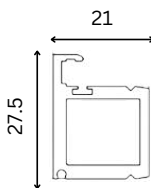
- Length : 3000 mm.

Handle 3 styles

A-200	
B-400	
C-1000	



CWJ-154

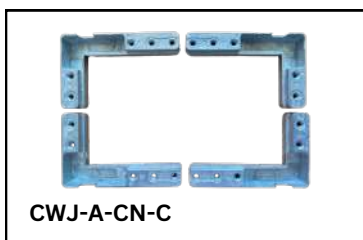


Aluminium Frame Profiles

Item No	CWJ-154
---------	---------

เฟรมอลูมิเนียมสำหรับกระจก 5 mm.

- Length : 3000 mm.



CWJ-A-CN-C

Accessories (Corner Connector)

Item No	CWJ-A-CN-C
---------	------------

ตัวยึดมุมเฟรม

- Remark : 1 Set = 4 Pcs.



CWJ-SC

Accessories (Screw)

Item No	CWJ-SC
---------	--------

สกรู



Black Matt



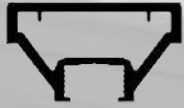
Gold Brush



Grey Matt



Pink Gold Brush



AL-F-SD-A2188



AL-F-SD-A2190



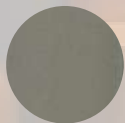
Connector



AL-F-SD-HD



Black Matt



Grey Matt



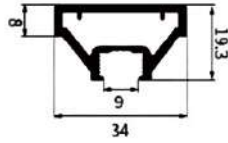
Accessories for Aluminum Frame

- Double Softclose Sliding Roller M981D
- Telescopic Sliding Door Roller ML903



ALUMINIUM FRAME FOR SLIDING DOOR

เฟรมอลูมิเนียมสำหรับบานเลื่อน



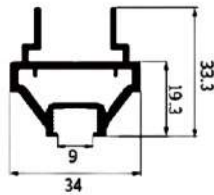
Aluminium Frame For Sliding Door "Left / Right"

Item No

AL-F-SD-A2188

เฟรมอลูมิเนียม สำหรับซ้ายและขวา

- Length : 3000 mm.



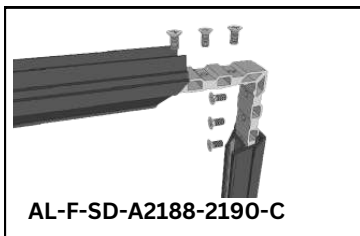
Aluminium Frame For Sliding Door "Top-Bottom"

Item No

AL-F-SD-A2190

เฟรมอลูมิเนียม สำหรับบนและล่าง

- Length : 3000 mm.



Accessories (Corner Connector)

Item No

AL-F-SD-A2188-2190-C

ตัวยึดมุมเฟรม



Accessories (Door Handle)

Item No

AL-F-SD-HD

มือจับเฟรม



Accessories (Plastic Strip for Glass)

Item No

AL-F-SD-PS

แถบพลาสติกสำหรับรองกระจก

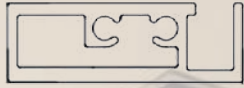
- Size : 5 mm. Length : 3500 mm.
- Size : 6 mm. Length : 3000 mm.
- Size : 8 mm. Length : 3500 mm.



Black Matt



Grey Matt



CWJ-135



CWJ-136



Black Matt

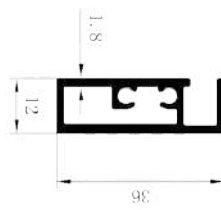
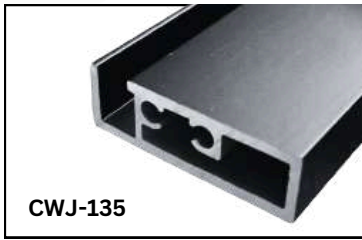


Gold Brush



ALUMINIUM FRAME FOR LED SHELF

เฟรมอลูมิเนียมสำหรับทำชั้นวางของพร้อมช่องใส่ไฟ LED



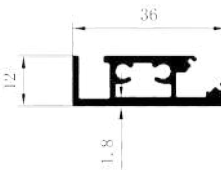
Aluminium Frame Shelf

Item No

CWJ-135

เฟรมอลูมิเนียม สำหรับทำชั้น

- Length : 3000 mm.



Aluminium Frame with Cover for LED Shelf

Item No

CWJ-136

เฟรมอลูมิเนียม สำหรับทำชั้นพร้อมช่องใส่ไฟ LED

- Length : 3000 mm.



Accessories (Support)

Item No

SS-001

ตัวรับชั้น

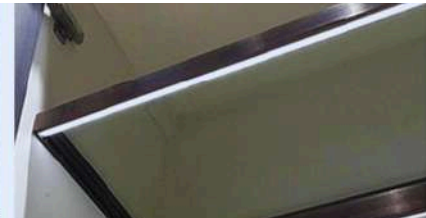
Applications: Cabinet, Wardrobe, Wine Cabinet, Display Cabinet



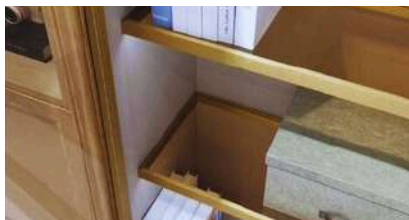
Easy Installation



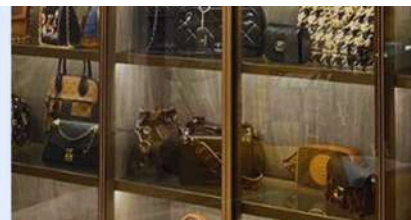
Elegant Appearance



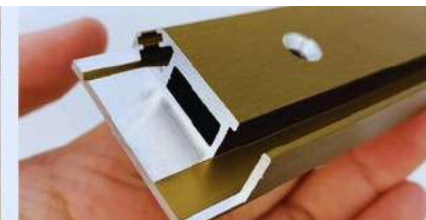
Soft Lighting



Unilateral Luminescence



Wardrobe Lighting



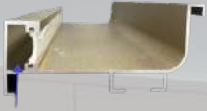
Good Quality and Strong



Black Matt



Gold Brush



AL-GL-L



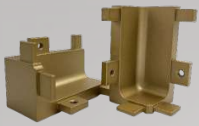
AL-GL-C



AL-GL-EC



AL-GL-OT



AL-GL-IN



AL-GL-CN



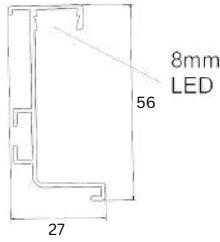
Black Matt



Bronze

ALUMINIUM LED GOLA PROFILES

เฟรมอลูมิเนียมโกล่าโปรไฟล์ พร้อมช่องไฟ LED



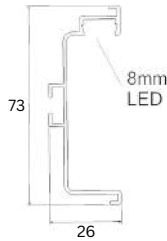
Aluminium LED (L) Gola Profiles

Item No

AL-GL-L

เฟรมอลูมิเนียมโกล่าโปรไฟล์ ตัว L

- Length : 3000 mm.



Aluminium LED (C) Gola Profiles

Item No

AL-GL-C

เฟรมอลูมิเนียมโกล่าโปรไฟล์ ตัว C

- Length : 3000 mm.



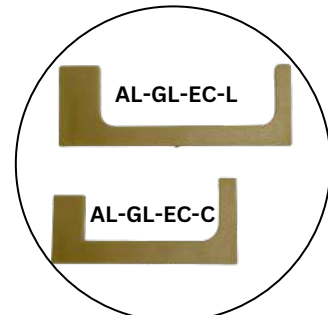
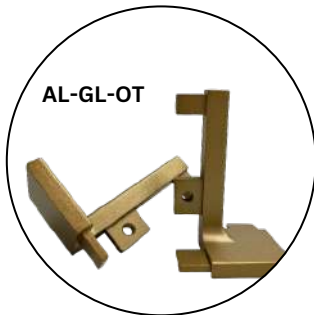
Gola Assembly Brackets for C and L Profiles

Item No

AL-GL-CN

ตัวยึดประกอบสำหรับโปรไฟล์ C / L

- Material : Zinc Alloy



Gola Corner Connector 90°

Item No. : **AL-GL-OT-C**
For : Outer (C Profile)

Item No. : **AL-GL-OT-L**
For : Outer (L Profile)

Gola Corner Connector 90°

Item No. : **AL-GL-IN-C**
For : Inner (C Profile)

Item No. : **AL-GL-IN-L**
For : Inner (L Profile)

Gola End Cap L/R

Item No. : **AL-GL-EC-C**
For : Gola (C Profile)

Item No. : **AL-GL-EC-L**
For : Gola (L Profile)

Remark : 1 Pair / Right & Left



Black Matt



Bronze

WARDROBE BASKET & ACCESSORIES



Trousers Rack

- Item No DYL-11
- Description Softclose Slide
- Finish Brown Aluminium
- Size (W x D x H) 350 x 460 x 120 mm.



Trousers Rack

- Item No DYL-12
- Description Softclose Slide
- Finish Brown Aluminium
- Size (W x D x H) 360 x 460 x 120 mm.



Trousers Rack

- Item No DYH-01
- Description Softclose Slide
- Finish Brown Aluminium
- Size (W x D x H) 764 x 460 x 60 mm.



Storage Basket

- Item No DYH-05
- Description Softclose Slide
- Finish Brown Aluminium
- Size (W x D x H) 764 x 460 x 200 mm.



Jewelry Box

- Item No DYH-03
- Description Softclose Slide
- Finish Brown Aluminium
- Size (W x D x H) 764 x 460 x 90 mm.

WARDROBE BASKET & ACCESSORIES



Clothes Hanger

- Item No DYL-09A
- Description Softclose Slide
- Finish Brown Aluminium
- Size (W x D x H) 120 x 460 x 120 mm.



Rotating Dressing Mirror

- Item No DYF-02
- Description Ball Bearing Slide, Push and Pull Smoothly and Rotate Freely (90 Degree)
- Finish Champagne
- Size (W x H) 400 x 1200



Rotating Shoes Rack (10 Layer)

- Item No DYK-02
- Description Each Layer can be 180 Degree Revolving
- Finish Brown Aluminium
- Size (W x D x H) 700 x 360 x 1630-1830 mm.
- Wardrobe Inner (W) >= 800 mm



Rotating Clothes Rack

- Item No DYM-05
- Description Each Layer can be 360 Degree Revolving
- Finish Champagne
- Size (W x H) Ø740 x (1830-2085) mm.
- Wardrobe Inner (W) >= 900 mm

WALK-IN CLOSET SYSTEM



Invisible cabinet bracket HYM-008 L/R

Kit Left and right drawers suspension brackets

Universal Shelf Brackets L500-H35.9

There is no difference between the brackets
Bracket For 18mm Or 25mm MDF
Material: Iron
Color: Powder coating

Universal Shelf Brackets HYM-006

There is no difference between the brackets
Bracket For 18mm Or 25mm MDF
Apply to Install Glass Brackets Lamps
Material: Iron
Color: Powder coating

Brackets external fixing 4822M4-8

Brackets central fixing 4822M4-12

Brackets for shoes rack HYM-009

There is no difference between the brackets
Bracket For 18mm Or 25mm MDF
Apply to Install Glass Brackets Lamps
Material: Iron
Color: Powder coating

Base for clothes rail XGY-2206 L/R

Kit Right and Left rod holders
Finish: Black, Bronze

Corner holder for wall fixing HYM-001

Corner holder for wall fixing For 90 degree
Material: Iron

Corner holder for wall fixing HYM-001A

Adjusting Leg HYM-002-003

Kit of adjustable levellers for corner

Board Hook HYM-005

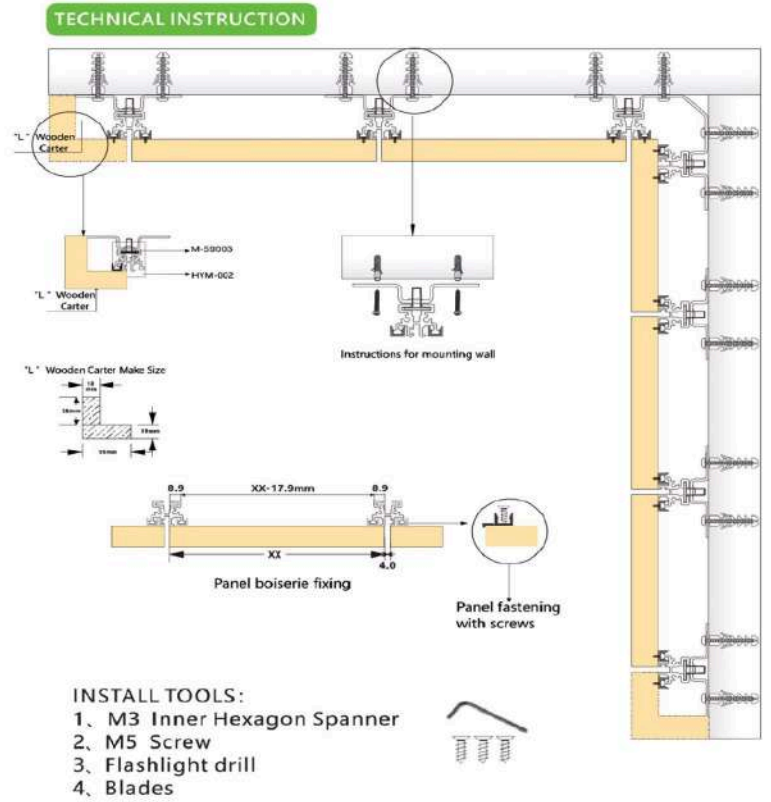
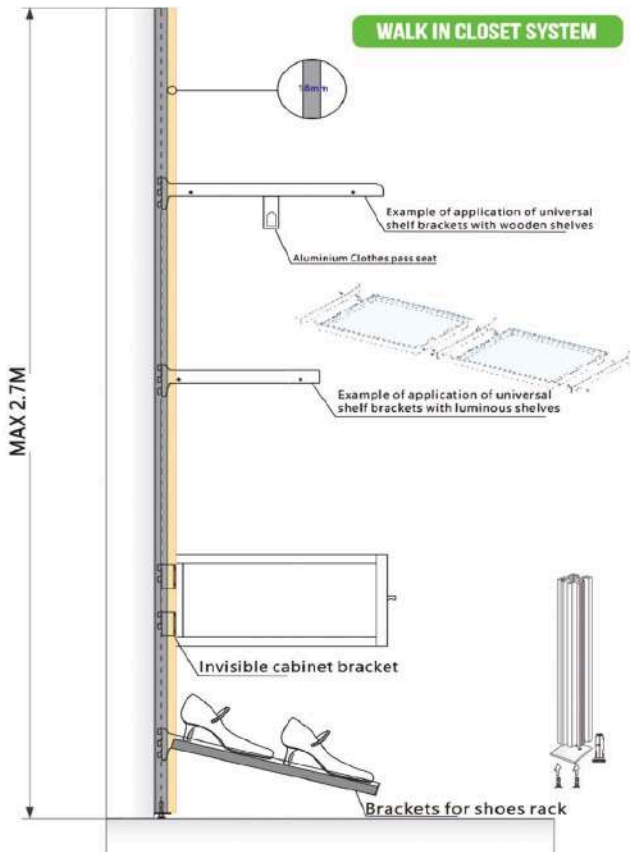
Rack M-59003

Clothes rail XGY-2189

Finish: Black, Bronze

Installation

WALK-IN CLOSET SYSTEM

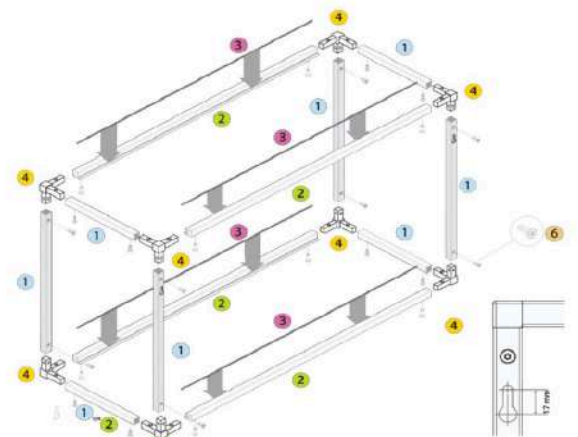
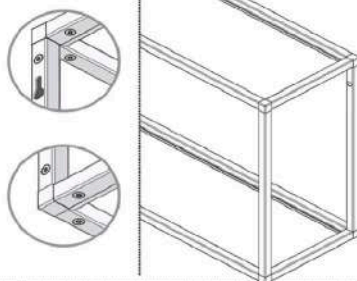


MODULAR FOR DECORATION



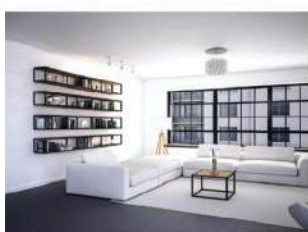
The new aluminum structure allows the housing of panels up to 18 mm thickness and glasses of 5 mm

Easily machined even from lengths, it can also be supplied in kits. For wall hanging and stand-alone



INSTALLATION INSTRUCTION

NP	CODE	NAME
1	F59001	STRUT
2	F59002	STRUT WITH SUPPORT
3	GASKET FOR PROFILE F59002	GASKET
4	F59003\F59005	CORNER JOINTS.3 -SIDED OR 4-SIDED
6	M5x12.BL	SCREW





FITTING FOR WARDROBE



WARDROBE HANGING RAILS WITH LED SENSOR SYSTEM

Item No. : YL1635CZ / GB070A

Finish : Black, Iron Grey

Length : 600, 800, 1000 mm.

Colour : 4000K (Cool White)

6000K (Day Light)

Finish



Black Iron Grey



ALUMINIUM FRAME SHELF WITH LED

Item No. : GB075

Finish : Black Brush

Size (WxDxH) : 1000 x 350 x 35 mm.

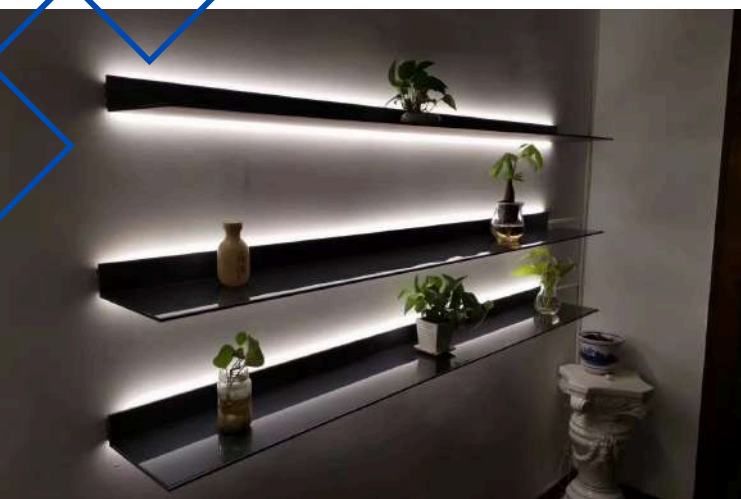
Size (WxDxH) : 1000 x 500 x 35 mm.

Colour : 3000K (Warm White)

Finish



Black



LED WALL MOUNTED SHELF

Item No. : YL1903

Finish : Black Matt

Size (WxDxH) : 900 x 245 x 63.5 mm.

Size (WxDxH) : 1200 x 245 x 63.5 mm.

Colour : 3000K (Warm White)

Finish



Black

(Warm White)
3000 K

(Cool White)
4000 K

(Day Light)
6000 K

ALUMINIUM HANDLE



Item No. : **K580**

Finish :

- Pink Gold Brush (K580-PB)
- Silver Matt (K580-SM)
- Silver Brush (K580-SB)
- Champagne Gloss (K580-CG)
- Black Brush (K580-BB)

Length : 197, 297, 347, 397, 447, 497, 547, 597, 797 mm.



K580-PB K580-SM K580-SB K580-CG K580-BB



Item No. : **HD-1000**

Finish :

- Black Matt (HD-1000-BB)
- Gold Matt (HD-1000-GD)

Length : 1000 mm.



HD-1000-GD

HD-1000-BB



Item No. : **K218**

Finish : Green Champagne Brush
Length : 220 mm.



Item No. : **K218-X**

Finish : Grey Matt
Length : 220 mm.



Item No. : **K220-A**

Finish : Black Brush
Length : 220 mm.



Item No. : **K220-C2**

Finish : Green Champagne Brush
Length : 220 mm.

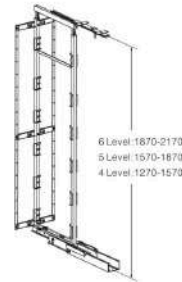
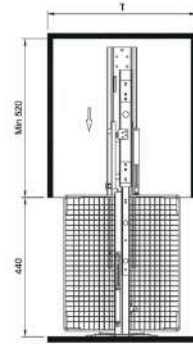
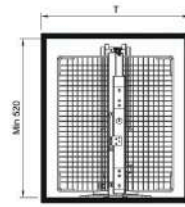


Item No. : **K220-F**

Finish : Golden Brush
Length : 220 mm.

Web Site





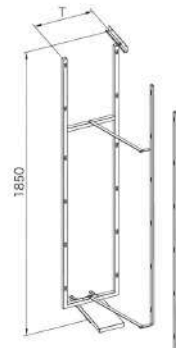
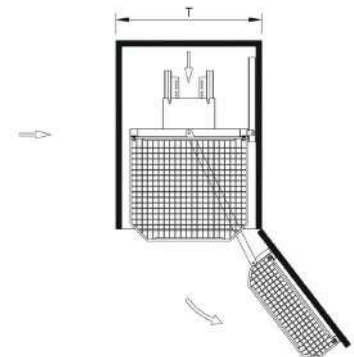
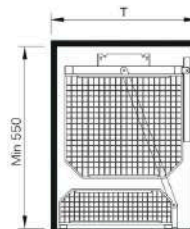
Pull Out Tall Unit

Item No	Cabinet Width	Dimension (WxDxH) mm.
174.040F6.300 (6 Baskets)	300 mm.	255 x 500 x (1870-2170)

Remark : Wire Bottom

Item No	Cabinet Width	Dimension (WxDxH) mm.
1805F6.300.01 (6 Baskets)	300 mm.	255 x 500 x (1870-2170)

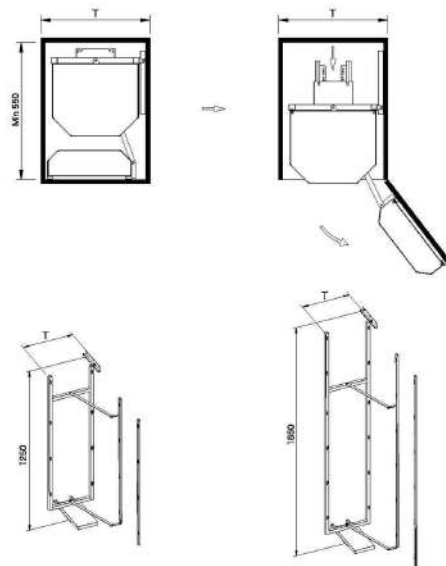
Remark : Wooden Bottom



Deluxe Larder Unit

Item No	Cabinet Width	Dimension (WxDxH) mm.
174.119F4.450 (8 Baskets)	450 mm.	405 x 530 x 1250

Remark : Wire Bottom



Deluxe Larder Unit (Aluminium + Acrylic)

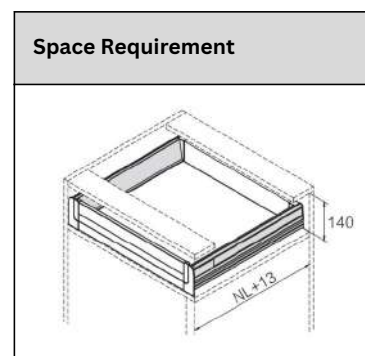
Item No	Cabinet Width	Dimension (WxDxH) mm.
GS05-02A (12 Baskets)	450 mm.	406 x 502 x 1880

Remark : Cabinet Height 1950 - 2200 mm

Stainless Steel Cutlery Organisers & Plate Carrier



- An effective way to store and separate your cutlery
- Manufactured from high-quality stainless steel
- Modular to fit most drawer systems
- Hygienic as can be easily removed for cleaning
- Material: Stainless Steel 304



NL Nominal length

Cutlery Tray

Item No	Cabinet Width	Dimension (WxDxH) mm.
TR-03-45	450 mm.	280 x 420 x 65
TR-03-50	500 mm.	280 x 475 x 63

Cutlery Tray

Item No	Cabinet Width	Dimension (WxDxH) mm.
TR-04-45	450 mm.	380 x 420 x 65
TR-04-50	500 mm.	380 x 475 x 65

Plate Carriers & Rack

Item No	Height-Max	Dimension (mm.)
PL-130	147 mm.	180 - 335

Remark : ABS + Stainless Steel





Stainless Steel Kitchen Basket

Softclose Slide



Dish Basket

Item No	Cabinet Width	Dimension (WxDxH) mm.
GYS04A-600	600 mm.	515 x 465 x 155
GYS04A-800	800 mm.	715 x 465 x 155

Remark : 304 Stainless Steel



Softclose Slide



Drawer Basket

Item No	Cabinet Width	Dimension (WxDxH) mm.
GYS04B-600	600 mm.	515 x 465 x 155
GYS04B-800	800 mm.	715 x 465 x 155

Remark : 304 Stainless Steel



Softclose Slide



Dish Basket

Item No	Cabinet Width	Dimension (WxDxH) mm.
GYS01-600-UP	600 mm.	535 x 415 x 155
GYS01-800-UP	800 mm.	735 x 415 x 155

Remark : 304 Stainless Steel



Softclose Slide



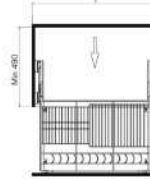
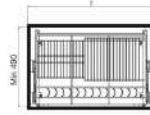
Drawer Basket

Item No	Cabinet Width	Dimension (WxDxH) mm.
GYS01-600-LO	600 mm.	535 x 415 x 155
GYS01-800-LO	800 mm.	735 x 415 x 155

Remark : 304 Stainless Steel



Chrome Series



Softclose Slide

Dish Basket

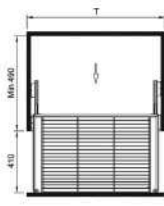
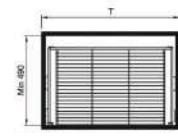
Item No	Cabinet Width	Dimension (WxDxH) mm.
174.047.800	800 mm.	698 x 460 x 135



Softclose Slide

Drawer Basket

Item No	Cabinet Width	Dimension (WxDxH) mm.
174.048.600	600 mm.	498 x 460 x 135
174.048.800	800 mm.	698 x 460 x 135



Softclose Slide

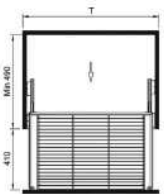
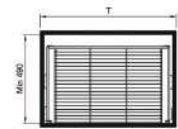
Drawer Basket

Item No	Cabinet Width	Dimension (WxDxH) mm.
174.052.450	450 mm.	395 x 460 x 140
174.052.800	800 mm.	745 x 460 x 140



1310.800.01 >

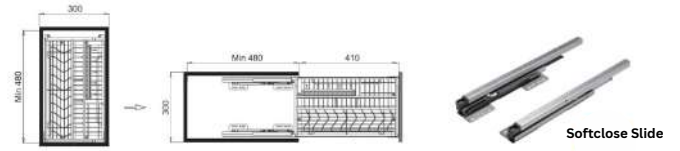
1314.800.01 >



Softclose Slide

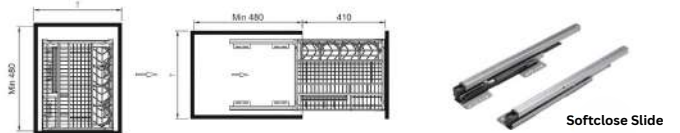
Drawer/Dish Basket Flat Wire

Item No	Cabinet Width	Dimension (WxDxH) mm.
1310.800.01	800 mm.	740 x 470 x 170
1314.800.01	800 mm.	740 x 470 x 184



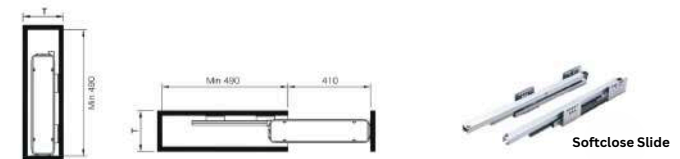
Pull Out Utility Basket

Item No	Cabinet Width	Dimension (WxDxH) mm.
1501.300.01	300 mm.	260 x 460 x 480



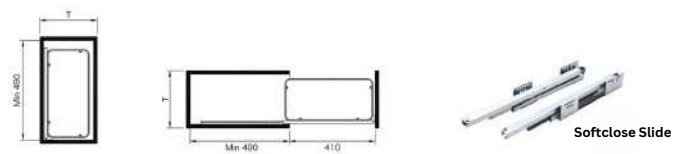
Pull Out Utility Basket

Item No	Cabinet Width	Dimension (WxDxH) mm.
1502.350.01	350 mm.	310 x 460 x 480
1502.400.01	400 mm.	360 x 460 x 480



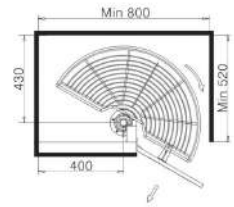
Side Mounted Basket 2 Levels Oval Wire

Item No	Cabinet Width	Dimension (WxDxH) mm.
1807.150.01 L/R	150 mm.	110 x 470 x 570



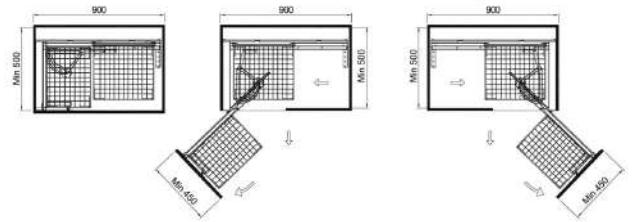
Side Mounted Basket 2 Levels Oval Wire

Item No	Cabinet Width	Dimension (WxDxH) mm.
1802F2.200.01 L/R	200 mm.	155 x 470 x 600
1802F2.300.01 L/R	300 mm.	255 x 470 x 600



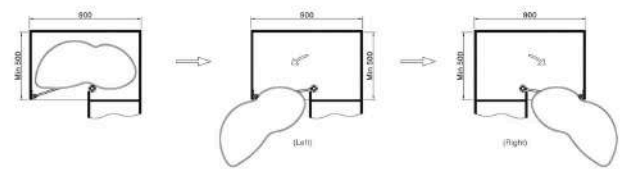
180 Degrees Swivel Basket 2 Levels

Item No	Cabinet Width	Dimension (WxDxH) mm.
174.039.180.800	800 mm.	740 x 394 x 680



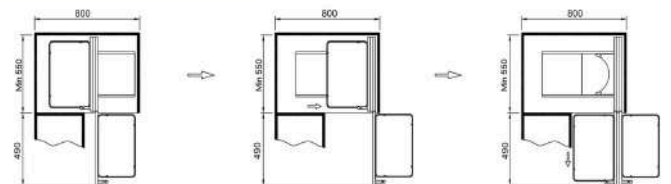
Pull Out Magic Corner

Item No	Cabinet Width	Dimension (WxDxH) mm.
174.033 L/R	900 mm.	850 x 490 x 520



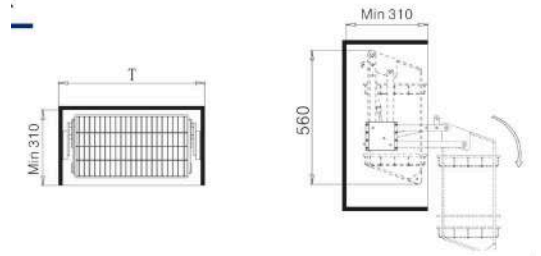
Swing Trays Oval Wire (White / Graphite)

Item No	Cabinet Width	Dimension (WxDxH) mm.
1808.900.01 L/R	900 mm.	810 x 500 x (570 - 710)
1808.900.09 R	900 mm.	810 x 500 x (600 - 750)



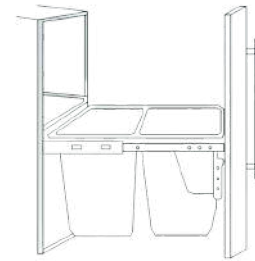
Complete Out Magic Corner Oval Wire

Item No	Cabinet Width	Dimension (WxDxH) mm.
1806.800.01	800 mm.	680 x 510 x 605



Pull Down Storage Rack

Item No	Cabinet Width	Dimension (WxDxH) mm.
174.082.600	600 mm.	466 x 260 x 560
174.082.800	800 mm.	666 x 260 x 560



Trash Bin

Item No	Cabinet Width	Dimension (WxDxH) mm.
G48-G2	400 mm.	345 x 480 x 430

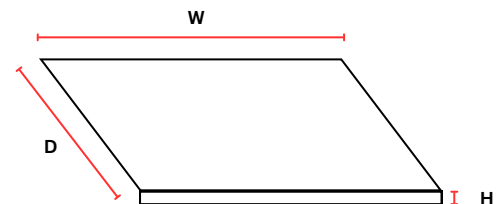
Remark : 40 Liters (20 L x 2)

สามารถติดตั้งได้ 2 แบบ : ปิดหน้าบาน / เปิดหน้าบาน



Anti-Slip Rubber Sheet (Food Grade)

Item No	Color	Dimension (WxL)
ASM MT-001	Grey	500 mm. x 20 m.



Aluminium Waterproof Board

Item No	Cabinet Width	Dimension (WxDxH) mm.
173.159.900	900 mm.	855 x 530 x 18

Remark : Pre - Order for customized size (Project)

4. Aluminium LED (L) Gold Profile as page 45

3. Aluminium LED (C) Gold Profile as page 45

1. Adjustable Leg with Clip

2. Aluminium Skirting Board with LED

KITCHEN ACCESSORIES

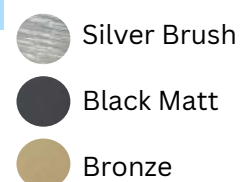
1. Adjustable Leg with Clip

Item No.	Finish	Dimension	Material
LEG-01	Black	H = 95 mm - 150 mm	Polypropylene (PP)



2. Aluminium Skirting Board with LED

Item No.	Finish	Dimension	Material
FE.0210-GY	Silver Brush	H = 100 mm, L = 4 m.	PVC, Aluminium
FE.0210-BB	Black Matt	H = 100 mm, L = 3 m.	Aluminium
FE.0210-GD	Bronze	H = 100 mm, L = 3 m.	Aluminium



Skirting Board Connector

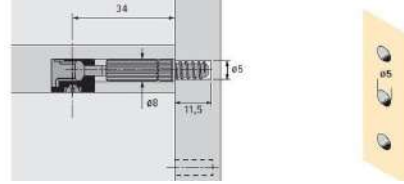
Item No.	Finish	Dimension	Material
(360°) FE.0206-GY	Silver Brush	H = 100 mm	PVC, Aluminium
(90°) FE.0204-GY	Silver Brush	H = 100 mm	PVC, Aluminium
FE.0204-BB	Black Matt	H = 100 mm	Aluminium
FE.0204-GD	Bronze	H = 100 mm	Aluminium
(180°) FE.0201-GY	Silver Brush	H = 100 mm	PVC, Aluminium
FE.0201-BB	Black Matt	H = 100 mm	Aluminium
FE.0201-GD	Bronze	H = 100 mm	Aluminium





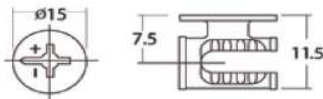
Connecting Bolt (แบบเหล็กผ่า)

- Material : Steel + Plastic
- Finish : Galvanized
- Length : 34 mm.
- Spiral : 11 mm.



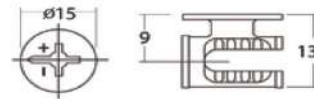
Minifix for 19 mm. (เหล็กผ่า)

- Item No. : MF-019-SET
- Material : Zinc Alloy
- Finish : Nickel
- Diameter : 15 mm.
- Height : 13 mm.



Minifix for 15, 16 mm. (เหล็กผ่า)

- Item No. : MF-015-SET
- Material : Zinc Alloy
- Finish : Nickel
- Diameter : 15 mm.
- Height : 11.5 mm.



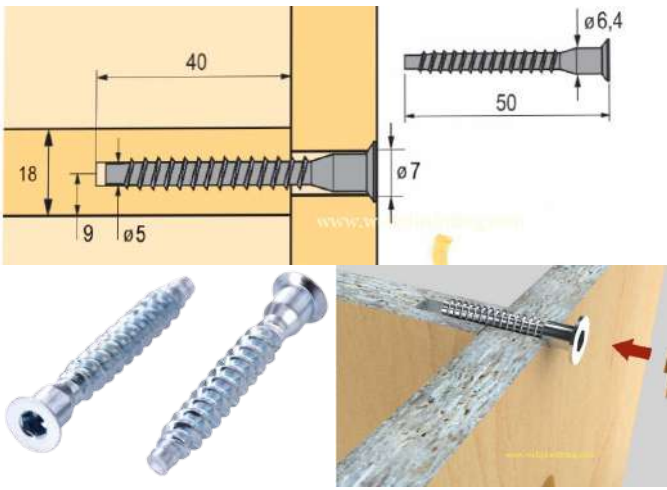
Connecting Fitting (เดือยล๊อคแบบซ่อน)

- Item No. : HS-019
- Material : Steel & ABS Plastic
- Finish : Nickel
- L1 (mm) / Thread Length : 11 mm.
- (Ø) / Thread Diameter : 6 mm.
- L (mm) / Effective Size : 28 mm.
- L2 (mm) / Total Length : 39 mm.



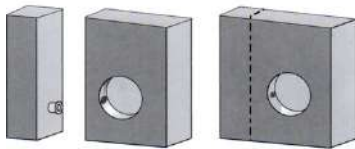
Push Latch (แม่ทงกด-เดือยสแตนเลส 304)

- Item No. : PL-002S
- Material : Stainless Steel
- Finish : Grey
- Adjustable Head : Extended 4-5 mm.



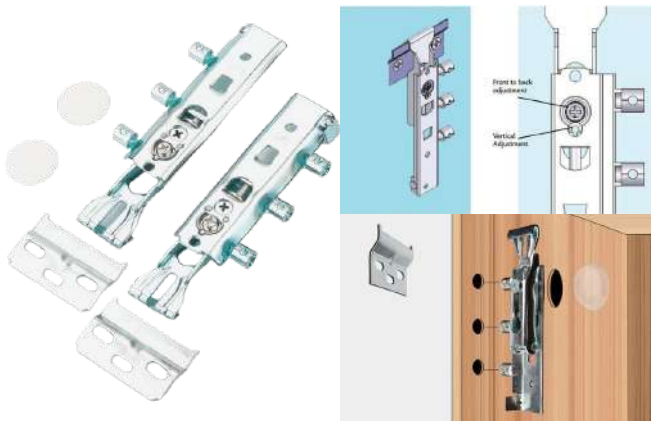
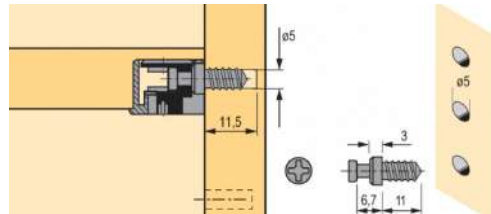
Chip Board Screw (สกรูขีปนอร์ด)

- Item No. : WS-0540
- Material : Steel
- Finish : Blue - Zinc
- Size (MxL) : 5.0 x 40 mm



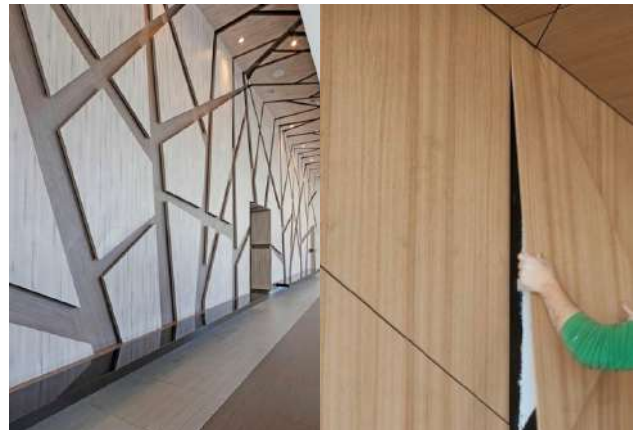
Connector (ตัวรับชิ้นไม้แบบถอดประกอบได้)

- Item No. : CF.5221
- Material : Zinc Alloy
- Finish : Nickel
- Details : with Screw



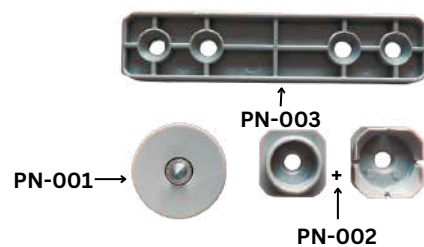
Cabinet Hanger (อุปกรณ์แขวนตู้ลอยแบบซ่อน)

- Item No. : CH-001
- Usage : Kitchen, Bathroom Cabinet
- Material : Steel + Zinc Alloy
- Finish : Zinc
- Load Capacity : 130 Kg./Pair
- Accessories : Screws + Connector



Panel Catch (อุปกรณ์ติดผนัง)

- Locator Item No. : PN-001
- Fitting Male + Female Item No. : PN-002
- Fitting Item No. : PN-003



FOLDABLE COFFEE TABLE FITTING

อุปกรณ์โต๊ะพับ สำหรับโต๊ะกลาง



- Item No. : B04-5B
- Finish : Black
- Length : 500 - 900 mm.
- Capacity : 7 - 9 Kg.



- Item No. : B12-1H
- Finish : Black
- Size : 570 x 420 x 150 mm.
- Capacity : 15 - 25 Kg.



- Item No. : B12-1D (สະບູໄຟຟ້າ)
- Finish : Black
- Size : 570 x 420 x 150 mm.
- Capacity : 15 - 25 Kg.

FOLDABLE TABLE FITTING

อุปกรณ์โต๊ะพับ



Pull-Out Folding Table System (อุปกรณ์โต๊ะพับ)

- Item No. : MC.2301
- Material : Aluminium
- Finish : Matt
- Capacity : 40 Kg.
- Length of Slide : 1250 mm.
- Width : 600 - 900 mm.



Pull-Out Folding Table System (อุปกรณ์โต๊ะพับแบบมีล้อ)

- Item No. : MC.2302
- Material : Aluminium
- Finish : Matt
- Capacity : 80 Kg.
- Length of Slide : 1450 mm.
- Width : 600 - 900 mm.

FURNITURE FITTING



Bed Mechanism (อุปกรณ์สำหรับเตียงพับได้)

- Item No. : QDYXC-01A
- Size : 1200 x 2000 mm.
(4 Feet Bed)



Stairway Track (รางสำหรับตู้ใต้บันได)

- Item No. : TLHT-01
- Material : Galvanized
- Size : 1000 mm. (1 m)
- Loading : 120 Kg.



Pull-Out Wardrobe Softclose Slide (ชุดรางบานดึง)

- Item No. : TLHT-02
- Size : 500 mm.
- Loading : 60 Kg.



พีวีซีปิดขอบ PVC Edge Banding

- ความหนา 0.5 มม. : กว้าง 15, 19, 22 มม
- ความหนา 1 มม. : กว้าง 12, 19, 23, 28, 32, 42, 50 มม
(1 ม้วน = 200 เมตร)
- ความหนา 2 มม. : กว้าง 22, 28, 32 มม
(1 ม้วน = 100 เมตร)

เอบีเอสปิดขอบ ABS Edge Banding

- ความหนา 0.5 มม. : กว้าง 15, 19, 22 มม
- ความหนา 1 มม. : กว้าง 12, 19, 23, 28, 32, 42, 50 มม
(1 ม้วน = 200 เมตร)
- ความหนา 2 มม. : กว้าง 22, 28, 32 มม
(1 ม้วน = 100 เมตร)

EDGE BANDING

อลูมิเนียมปิดขอบ Aluminium Edge Banding

- ความหนา 1 มม. : กว้าง 23, 28 มม.
- ความหนา 1 มม. : กว้าง 19 มม. (เส้น)



JW-280.30

กาวเม็ด สีเหลือง
อุณหภูมิสูง 180 - 200 องศา
ปิดขอบ ตรง, โค้ง, เฟ
แบบ Un-filled คุณภาพสูง



JW-282.40

กาวเม็ด สีเหลืองใส
อุณหภูมิต่ำ 130 - 150 องศา
ปิดขอบ ตรง
แบบ Un-filled



JW-288.70

กาวเม็ด สีเบจ
อุณหภูมิสูง 180 - 200 องศา
ปิดขอบ ตรง