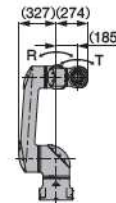
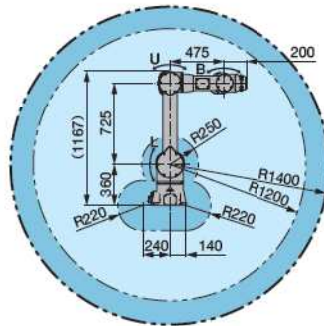
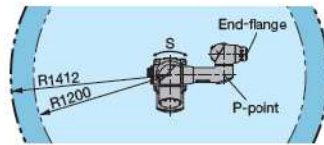


# HC20SDTP

(Dust- and Drip-proof Specification)



Model		MOTOMAN-HC20SDTP (Dust- and Drip-proof Spec.)
Type		YR-1-06VXSCP20-B00
Controlled Axis		6 (vertically articulated)
Payload		20 kg
Maximum Reach		1412 mm (up to end-flange)
Repeatability*1		0.05 mm
Range of Motion	S-axis (turning)	-210° - +210°
	L-axis (lower arm)	-180° - +180°
	U-axis (upper arm)	-290° - +290°
	R-axis (wrist roll)	-210° - +210°
	B-axis (wrist pitch/yaw)	-180° - +180°
	T-axis (wrist twist)	-210° - +210°
Maximum Speed*2	S-axis (turning)	1.83 rad/s, 105°/s
	L-axis (lower arm)	1.57 rad/s, 90°/s
	U-axis (upper arm)	2.35 rad/s, 135°/s
	R-axis (wrist roll)	2.27 rad/s, 130°/s
	B-axis (wrist pitch/yaw)	3.14 rad/s, 180°/s
	T-axis (wrist twist)	3.14 rad/s, 180°/s
Maximum Speed of the Tip*2	Collaborative operation mode	1000 mm/s *5
	Normal operation mode	2000 mm/s
Allowable Moment	R-axis (wrist roll)	58.8 N·m
	B-axis (wrist pitch/yaw)	58.8 N·m
	T-axis (wrist twist)	29.4 N·m
Allowable Inertia (GD <sup>2</sup> /4)	R-axis (wrist roll)	4.0 kg·m <sup>2</sup>
	B-axis (wrist pitch/yaw)	4.0 kg·m <sup>2</sup>
	T-axis (wrist twist)	2.0 kg·m <sup>2</sup>
Approx. Mass		97 kg
IEC Protection Class		IP67 *6
Ambient Conditions	Temperature	0 °C to +40 °C
	Humidity	20% to 80%RH (non-condensing)
	Vibration	4.9 m/s <sup>2</sup> (0.5 G) or less
	Altitude	1000 m or less
Power Requirements*3		1.5 kVA
Mounting*4		Floor, ceiling, wall, tilt
Compatible Controller		YRC1000micro, YRC1000

\*1: Repeatability conforms to ISO 9283.

\*2: The maximum speed in this table is the available maximum value and will vary depending on the load, posture, or range of motion.

\*3: The power requirement value is obtained using Yaskawa's in-house measurement conditions and will vary depending on the load, motion pattern, or cycle time.

\*4: When wall- or tilt-mounted, the S-axis motion range is limited.

\*5: A safe speed must be set based on the results of the risk assessment.

\*6: The entire manipulator is dust-proof and water-proof against water jets with protection rating IP66, and dust-proof and drip-proof against water immersion with protection rating IP67.