

▶ MOTOMAN-HC Series Specifications

HC10DTP

(Dust- and Drip-proof Specification)



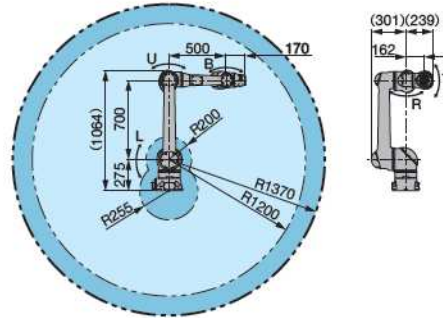
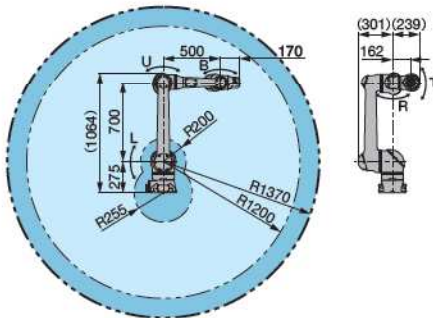
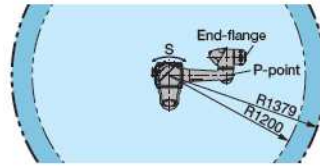
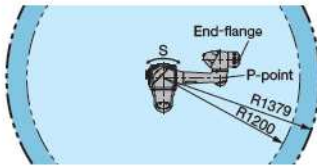
HC10DTFP

(Food Specification)



■ Dimensions Units: mm □: P-point Maximum Envelope ■: End-flange Maximum Envelope

Note: Refer to individual dimension diagrams for details including the shape of the flange and dimensions.



Model	MOTOMAN-HC10DTP (Dust- and Drip-proof Spec.)	MOTOMAN-HC10DTFP (Food Spec.)	
Type	YR-1-06VXCP10-B00	YR-1-06VXCP10-F00	
Controlled Axis	6 (vertically articulated)	6 (vertically articulated)	
Payload	10 kg	10 kg	
Maximum Reach	1379 mm (up to end-flange)	1379 mm (up to end-flange)	
Repeatability*1	0.05 mm	0.05 mm	
Range of Motion	S-axis (turning)	-210°-- +210°	-210°-- +210°
	L-axis (lower arm)	-180°-- +180°	-180°-- +180°
	U-axis (upper arm)	-290°-- +290°	-290°-- +290°
	R-axis (wrist roll)	-210°-- +210°	-210°-- +210°
	B-axis (wrist pitch/yaw)	-180°-- +180°	-180°-- +180°
	T-axis (wrist twist)	-210°-- +210°	-210°-- +210°
Maximum Speed*2	S-axis (turning)	2.27 rad/s, 130°/s	2.27 rad/s, 130°/s
	L-axis (lower arm)	2.27 rad/s, 130°/s	2.27 rad/s, 130°/s
	U-axis (upper arm)	3.14 rad/s, 180°/s	3.14 rad/s, 180°/s
	R-axis (wrist roll)	3.14 rad/s, 180°/s	3.14 rad/s, 180°/s
	B-axis (wrist pitch/yaw)	4.36 rad/s, 250°/s	4.36 rad/s, 250°/s
	T-axis (wrist twist)	4.36 rad/s, 250°/s	4.36 rad/s, 250°/s
Maximum Speed of the Tip*2	Collaborative operation mode	1000 mm/s *5	1000 mm/s *5
	Normal operation mode	2000 mm/s	2000 mm/s
Allowable Moment	R-axis (wrist roll)	27.4 N·m	27.4 N·m
	B-axis (wrist pitch/yaw)	27.4 N·m	27.4 N·m
	T-axis (wrist twist)	9.8 N·m	9.8 N·m
Allowable Inertia (GD ² /4)	R-axis (wrist roll)	0.78 kg·m ²	0.78 kg·m ²
	B-axis (wrist pitch/yaw)	0.78 kg·m ²	0.78 kg·m ²
	T-axis (wrist twist)	0.10 kg·m ²	0.10 kg·m ²
Approx. Mass	58 kg	58 kg	
IEC Protection Class	IP67 *6	IP67 *6	
Ambient Conditions	Temperature	0 °C to +40 °C	
	Humidity	20% to 80%RH (non-condensing)	
	Vibration	4.9 m/s ² (0.5 G) or less	
	Altitude	1000 m or less	
Power Requirements*3	1.0 kVA		
Mounting*4	Floor, ceiling, wall, tilt		
Compatible Controller	YRC1000micro, YRC1000		

*1: Repeatability conforms to ISO 9283.

*2: The maximum speed in this table is the available maximum value and will vary depending on the load, posture, or range of motion.

*3: The power requirement value is obtained using Yaskawa's in-house measurement conditions and will vary depending on the load, motion pattern, or cycle time.

*4: When wall- or tilt-mounted, the S-axis motion range is limited.

*5: A safe speed must be set based on the results of the risk assessment.

*6: The entire manipulator is dust-proof and water-proof against water jets with protection rating IP66, and dust-proof and drip-proof against water immersion with protection rating IP67.