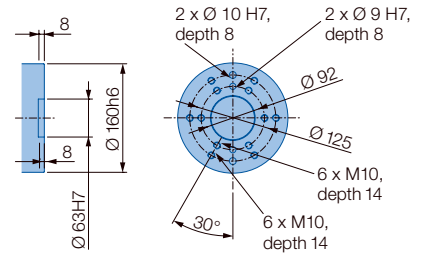
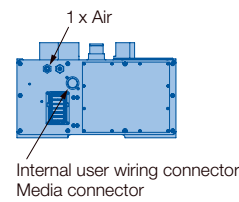


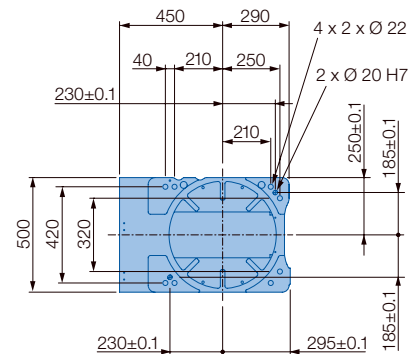
View A



View B

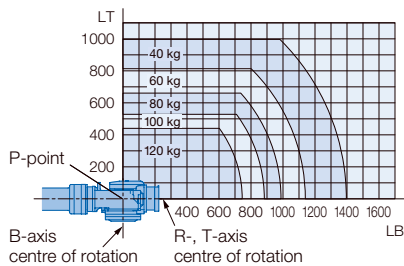


View C



Mounting option: Floor
Protection class: IP54/67

Allowable wrist load



Specifications GP180-120					
Axes	Maximum motion range [°]	Maximum speed [°/sec.]	Allowable moment [Nm]	Allowable moment of inertia [kg · m²]	Controlled axes
					6
					Max. payload [kg]
					Repeatability [mm]
					Max. working range R [mm]
					Temperature [°C]
					Humidity [%]
					Weight [kg]
					Power supply, average [KVA]
S	±180	125	–	–	
L	+76/–60	115	–	–	
U	+90/–86	125	–	–	
R	±360	182	883	79	
B	±130	175	883	79	
T	±360	265	520	40	