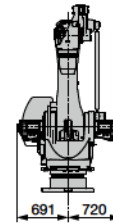
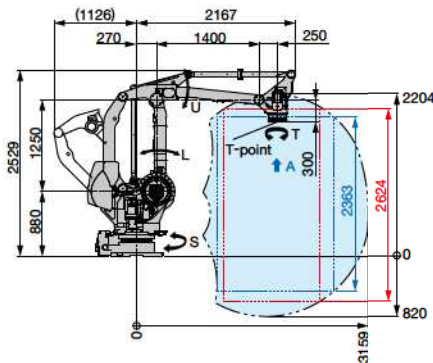
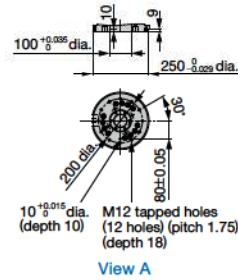
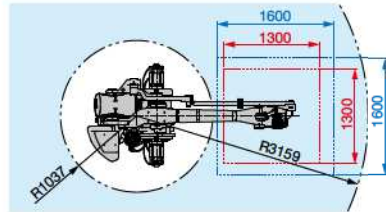


PL500



■ Dimensions Units: mm □: T-point Maximum Envelope

Note: Refer to individual dimension diagrams for detailed dimensions and specifications of the following models.



Model		MOTOMAN-PL500
Type		YR-1-04LXH500-A00
Controlled Axis		4 (vertically articulated)
Payload		500 kg
Maximum Reach		3159 mm
Repeatability*1		0.05 mm
Range of Motion	S -axis (turning)	- 180° -+ 180°
	L -axis (lower arm)	- 45° -+ 90°
	U -axis (upper arm)	- 120° -+ 15.5°
	T -axis (wrist twist)	- 360° -+ 360°
Maximum Speed*2	S -axis (turning)	1.48 rad/s, 85°/s
	L -axis (lower arm)	1.48 rad/s, 85°/s
	U -axis (upper arm)	1.48 rad/s, 85°/s
	T -axis (wrist twist)	3.40 rad/s, 195°/s
Allowable Inertia (GD ² /4)		T -axis (wrist twist) 200 kg · m ²
Approx. Mass		2390 kg
IEC Protection Class		IP54
Ambient Conditions	Temperature	0 °C to + 45 °C
	Humidity	20% to 80%RH (non-condensing)
	Vibration	4.9 m/s ² (0.5 G) or less
	Altitude	1000 m以下
Power Requirements*3		8.0 kVA
Mounting		Floor

*1: Repeatability conforms to ISO 9283.

*2: The maximum speed in this table is the available maximum value and will vary depending on the load, posture, or range of motion.

*3: The power requirement value is obtained using Yaskawa's in-house measurement conditions and will vary depending on the load, motion pattern, or cycle time.