



**HCP PUMP**

# HVM/HVMT

VERTICAL MULTISTAGE CENTRIFUGAL PUMP

**50Hz**



[www.hcppump.com](http://www.hcppump.com)

### Introduction

HVM, HVMT is a high-efficiency and energy-saving vertical multi-stage centrifugal pump. The centrifugal force generated by the impeller of the rotary pump drives the fluid to transfer. Its pump body and motor are composed of main shaft, impeller, diffuser, pump case and mechanical seal, and connected by coupling.

HVM, HVMT series can be used as booster pump alone or as auxiliary booster equipment in the booster system of construction and industry. Its piping structure ensures that the pump is directly installed in the same horizontal piping system with the same diameter in and out. This design makes the structure and piping of the pump more compact.

HVM, HVMT series vertical multi-stage centrifugal pump can be installed vertically or horizontally on pipeline according to different installation space. In the case of horizontal installation, the pump needs to be added with fixed module to ensure the stability of the pump during operation.

### Motor

- Totally enclosed, fan-cooled, 2-pole standard motors
- Enclosure class: IP55
- Insulation class: F
- Voltage: 3x220-240/380-415V  
1x220-240V
- Available with single-phase motors(0.37kW-2.2kW)

### Performance curves

- The motors used for the measurements are based on 2900rpm or 2950 rpm
- Tolerances to ISO 9906
- Measurements have been made with airless water at a temperature of 20 °C
- The curves apply to the following kinematic viscosity: = 1 mm<sup>2</sup>/s
- Select a best efficiency of the pump which is operating within the bold curve of the pump performance.

### Pump material

Cast iron  
Stainlesssteel(AISI304/I316)  
Duplex stainless steel(2205)

### Pipe connection

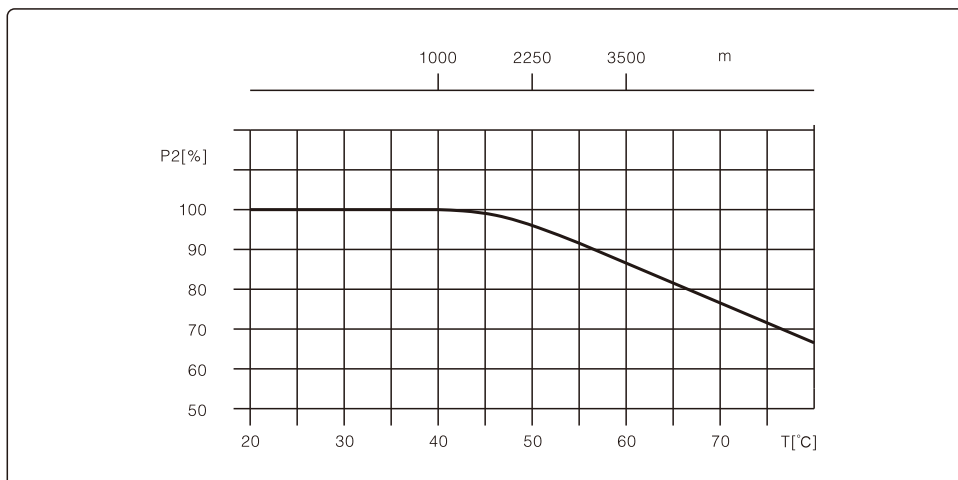
DIN flange, ANSI flange  
Thread  
Tri-Clamp  
Oval flange

### Pump operating conditions

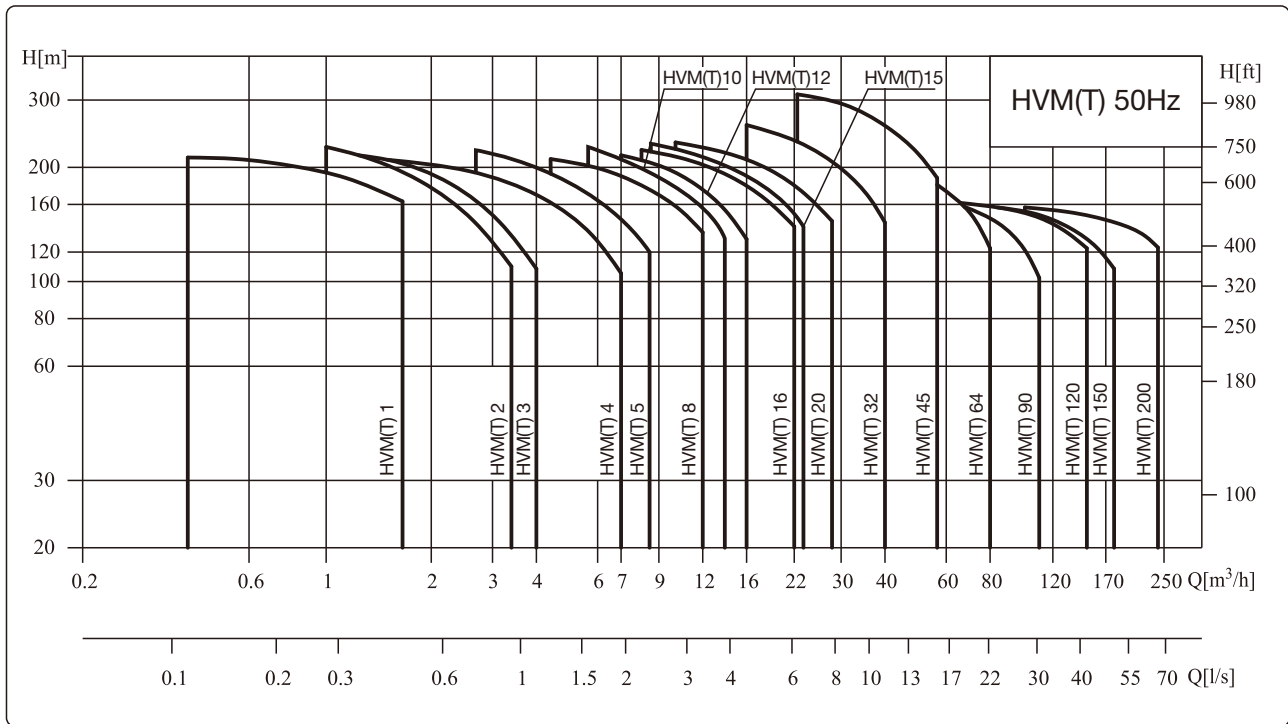
- Pumping liquids which are thin, clean, non-flammable, non-combustible or non-explosive liquids, not containing solid particles or fibers.
- Maximum ambient temperature: +40 °C
- Maximum altitude above sea level: 1000 m

### Ambient temperature

If the ambient temperature exceeds the 40 °C or the pump is installed at an altitude exceeding 1000 m, the motor output power P2 will decrease. In such cases, it necessary to use a motor with a higher rated output.



**Pump performance range**



**Minimum inlet pressure, NPSH**

Cavitation may occur if the following conditions exist during the operation of the water pump:

- The water tank or pool is lower than the water pump inlet;

High liquid temperature;

- Actual flow significantly greater than rated flow;
- Pressure in the pump lower than the vaporization pressure of the conveying liquid.

•To avoid cavitation, make sure there is a minimum pressure on the inlet side of the pump. The maximum suction range H (m) can be calculated as follows:

$P_b$ =Atmospheric pressure (atmospheric pressure can be set to 1bar), in closed system,  $P_b$  is system pressure

$H_f$ =Net positive suction head (can be read from the maximum possible flow rate of the pump on the NPSH curve)

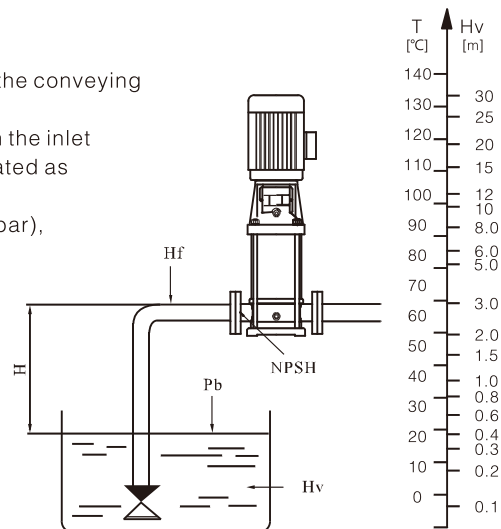
$H_f$ =Pipeline loss at inlet

$H_v$ =Vaporization pressure

$H_s$ =Safety margin=Minimum 0.5m head

If the calculated value of H is positive, the pump can be operated at the maximum suction range H.

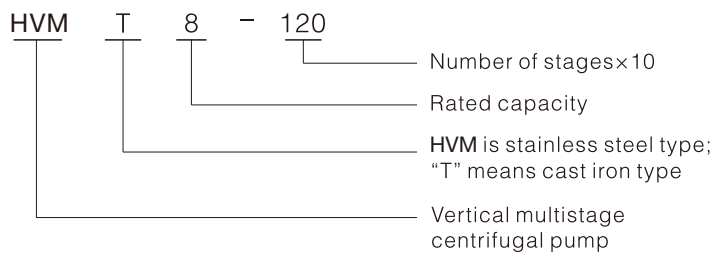
If the calculated H is negative, there must be a head with minimum inlet pressure H.



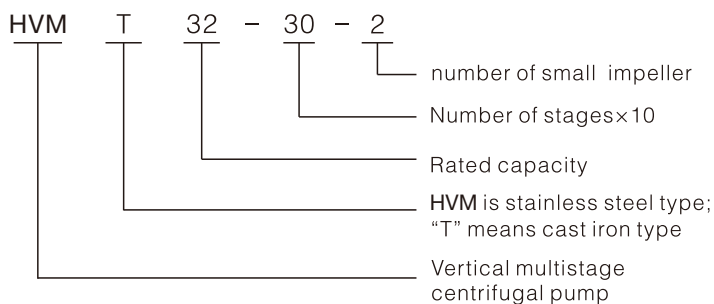
Minimum inlet pressure

### Definition of model

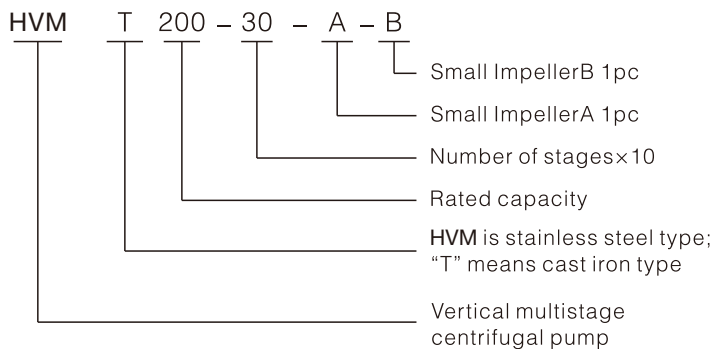
HVM/HVMT 1,2,3,4,5,8,10,12,15,16,20



HVM/HVMT 32,45,64,90,120,150



HVM/HVMT 200



### Motor

- Full-enclosed ari-blast two-pole standard motor
- Protection class: IP55
- Insulation class: F
- Standard voltage: 50Hz: 3\*220-230/346-440V  
3\*220-255/380-440V  
3\*220-277/380-480V

### Operation conditions

- Thin, clean, non-flammable and non-explosive liquid containing no solid granules and fibers.
- Liquid temperature:  
Normal temperature type: -15°C~+70°C,  
Hot water type: -15°C~+120°C
- Ambient temperature: up to +40°C
- Altitude: up to 1000m

### Applications

Water supply

- Water filter
- Supercharging
- Pressurization of hotels
- Industrial pressurization

Industrial boosting

- Cleaning system
- High pressure flushing system
- Firefighting system
- Car cleaning equipment

Industrial liquid transport

- Cooling air conditioning system
- Boiler feed water
- Condensing system and cooling tower
- Machine tool cooling lubrication system

Water treatment

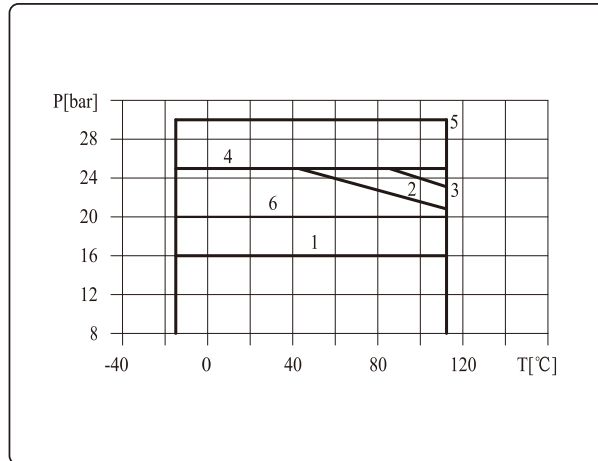
- Ultrafiltration system
- Reverse osmosis system
- Distillation system
- Separator
- Swimming pool

Irrigation

- Regional irrigation
- Sprinkler irrigation
- Drip irrigation
- Greenhouse irrigation

**Max working pressure**

The following figure shows the limitation of pressure and temperature, which shall be in the scope as shown in the figure.



Model	Curve number
HVMT 1,2,3,4,5 Flange	2
HVMT 1,2,3,4,5 Oval Flange	1
HVM 1,2,3,4,5 Flange, Tri-Clamp, Thread	2
HVMT8,10,12,15,16,20 Flange	3
HVMT8,10,12,15,16,20 Oval Flange	1
HVM 8,10,12,15,16,20 Flange, Tri-Clamp, Thread	3
HVM,HVMT 32	
32-10-1~32-70	1
32-80-2~32-120	4
32-130-2~32-160	5
HVM,HVMT 45	
45-10-1~45-60	1
45-70-2~45-90	4
45-100-2~45-130-2	5
HVM,HVMT 64	
64-10-1~64-50	1
64-60-2~64-80-1	4
HVM,HVMT 90	
90-10-1~90-50-2	1
90-50~90-60	4
HVM,HVMT 120,150,200	6

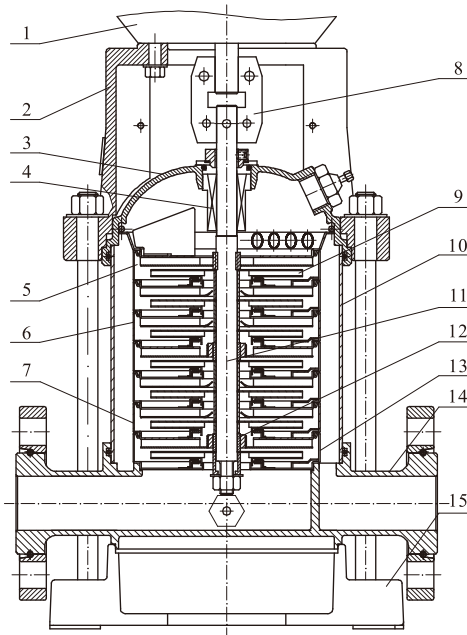
### Product range introduction

Parameter	HVM(T)1	HVM(T)2	HVM(T)3	HVM(T)4	HVM(T)5	HVM(T)8	HVM(T)10	HVM(T)12	HVM(T)15	HVM(T)16	HVM(T)20
Rated flow rate [m <sup>3</sup> /h]	1	2	3	4	5	8	10	12	15	16	20
Rated flow rate [l/s]	0.28	0.56	0.83	1.1	1.39	2.2	2.78	3.3	4.17	4.4	5.6
Flow rate [m <sup>3</sup> /h]	0.4~1.8	1~3.5	1.2~4	1.5~7	2.5~8.5	5~12	5~13	7~16	8~23	8~22	10~28
Flow rate [l/s]	0.11~0.5	0.28~0.97	0.33~1.1	0.42~1.9	0.69~2.36	1.39~3.3	1.39~3.61	1.9~4.4	2.22~6.39	2.2~6.1	2.8~7.8
Maximum pressure [bar]	21	23	22	21	24	21	23	22	23	22	23
Power [kW]	0.37~2.2	0.37~3	0.37~3	0.37~4	0.37~5.5	0.75~7.5	0.75~7.5	1.5~11	1.1~15	2.2~15	1.1~18.5
Temperature range [°C]	-15~120										
Highest efficiency [%]	44	46	50	58	63	62	70	63	73	66	69
HVM Pipe connection											
DIN flange	DN25	DN25	DN25	DN32	DN32	DN40	DN40	DN50	DN50	DN50	DN50
Thread	R <sub>1</sub> 1 <sup>1</sup> / <sub>4</sub> "	R <sub>1</sub> 1 <sup>1</sup> / <sub>4</sub> "	R <sub>1</sub> 1 <sup>1</sup> / <sub>4</sub> "	R <sub>1</sub> 1 <sup>1</sup> / <sub>4</sub> "	R <sub>1</sub> 1 <sup>1</sup> / <sub>4</sub> "	R <sub>1</sub> 2"	R <sub>1</sub> 2"	R <sub>1</sub> 2"	R <sub>1</sub> 2"	R <sub>1</sub> 2"	R <sub>1</sub> 2"
Clamp connection	DN32	DN32	DN32	DN32	Dn32	DN50	DN50	DN50	DN50	DN50	DN50
HVMT Pipe connection											
DIN flange	DN25	DN25	DN25	DN32	DN32	DN40	DN40	DN50	DN50	DN50	DN50
Oval flange	R <sub>p</sub> 1	R <sub>p</sub> 1	R <sub>p</sub> 1	R <sub>p</sub> 1 <sup>1</sup> / <sub>4</sub>	R <sub>p</sub> 1 <sup>1</sup> / <sub>4</sub>	R <sub>p</sub> 1 <sup>1</sup> / <sub>2</sub>	R <sub>p</sub> 1 <sup>1</sup> / <sub>2</sub>	R <sub>p</sub> 1 <sup>1</sup> / <sub>2</sub>	R <sub>p</sub> 1 <sup>1</sup> / <sub>2</sub>	R <sub>p</sub> 1 <sup>1</sup> / <sub>2</sub>	R <sub>p</sub> 1 <sup>1</sup> / <sub>2</sub>

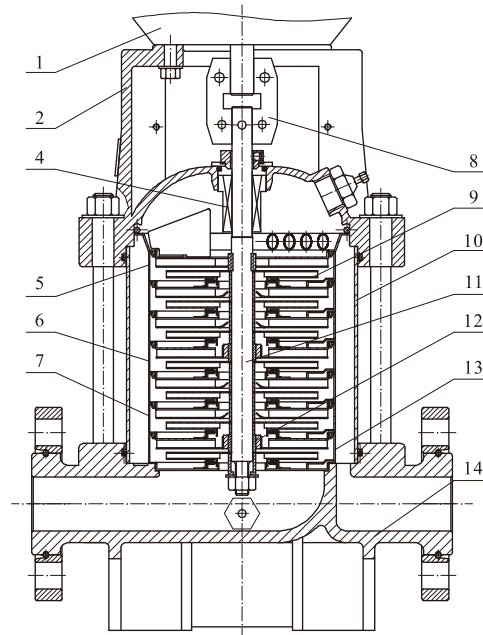
Parameter	HVM/HVMT 32	HVM/HVMT 45	HVM/HVMT 64	HVM/HVMT 90	HVM/HVMT 120	HVM/HVMT 150	HVM/HVMT 200
Rated flow rate [m <sup>3</sup> /h]	32	45	64	90	120	150	200
Rated flow rate [l/s]	8.9	12.5	17.8	25	33.3	41.7	55.6
Flow rate [m <sup>3</sup> /h]	16~40	25~55	30~80	50~110	60~150	80~180	100~240
Flow rate [l/s]	4.4~11	6.9~15.3	8~22	14~30	17~42	22~50	28~67
Maximum pressure [bar]	26	30	22	17	16	16	16
Power [kW]	1.5~30	3~45	4~45	5.5~45	11~75	11~75	18.5~110
Temperature range [°C]	-15~120						
Highest efficiency [%]	74	75	76	77	74	73	79
Pipe connection							
DIN flange	DN65	DN80	DN100	DN100	DN125	DN125	DN150



**Structure HVM/HVMT 1,2,3,4,5**



**HVM**

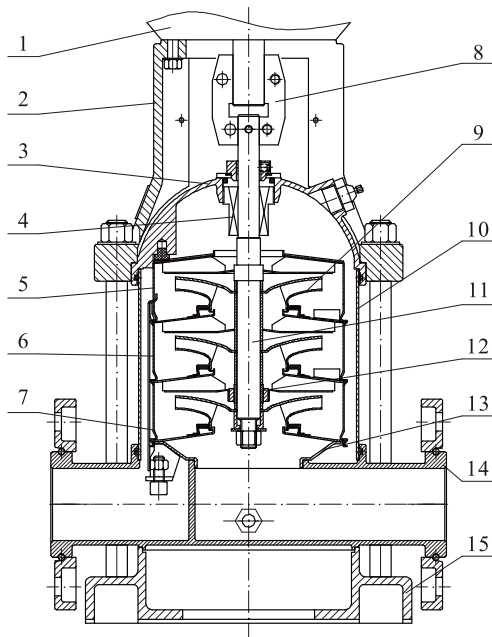


**HVMT**

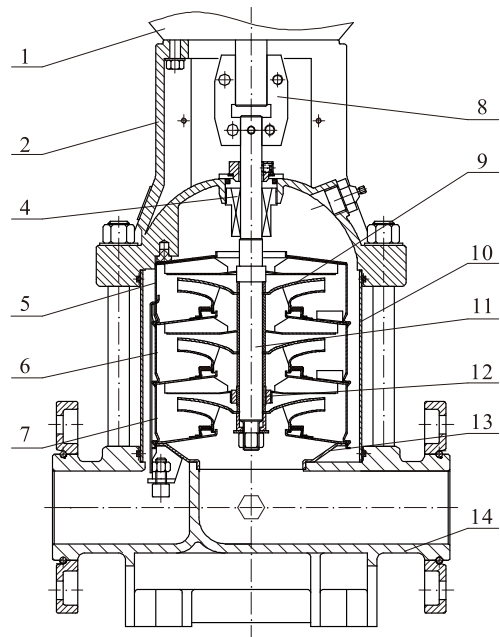
**Materials HVM/HVMT 1,2,3,4,5**

No.	Spare parts	Materials		GB		EN DIN		AISI/ASTM	
		HVM	HVMT	HVM	HVMT	HVM	HVMT	HVM	HVMT
1	Motor	/		/		/		/	
2	Bracket	Ductile cast iron		GB 1348-QT500-7		EN 1563 EN-GJS-500-7		ASTMA536 65-45-12	
3	Seal base	Stainless steel /Ductile cast iron		GB/T20878-06Cr19Ni10 /GB1348-QT500-7		EN 10088-1.4301 /EN 1563 EN-GJS-500-7		AISI304 /ASTMA536 65-45-12	
4	Mechanical seal	/		/		/		/	
5	Top diffuser	Stainless steel		GB/T20878-06Cr19Ni10		EN 10088-1.4301		AISI304	
6	Diffuser	Stainless steel		GB/T20878-06Cr19Ni10		EN 10088-1.4301		AISI304	
7	Support diffuser	Stainless steel		GB/T20878-06Cr19Ni10		EN 10088-1.4301		AISI304	
8	Coupling	Ductile cast iron		GB 1348-QT500-7		EN 1563 EN-GJS-500-7		ASTMA536 65-45-12	
9	Impeller	Stainless steel		GB/T20878-06Cr19Ni10		EN 10088-1.4301		AISI304	
10	Cylinder	Stainless steel		GB/T20878-06Cr19Ni10		EN 10088-1.4301		AISI304	
11	Shaft	Stainless steel		GB/T20878-06Cr19Ni10		EN 10088-1.4301		AISI304	
12	Bearing	SiC/WC		/		/		/	
13	Inducer	Stainless steel		GB/T20878-06Cr19Ni10		EN 10088-1.4301		AISI304	
14	Intel&outlet chamber	Stainless steel /Ductile cast iron		GB/T20878-06Cr19Ni10 /GB1348-QT500-7		EN 10088-1.4301 /EN 1563 EN-GJS-500-7		AISI304 /ASTMA536 65-45-12	
15	Base	Ductile cast iron		GB 1348-QT500-7		EN 1563 EN-GJS-500-7		ASTM A536 65-45-12	

### Structure HVM/HVMT 8,10,12,15,16,20



HVM



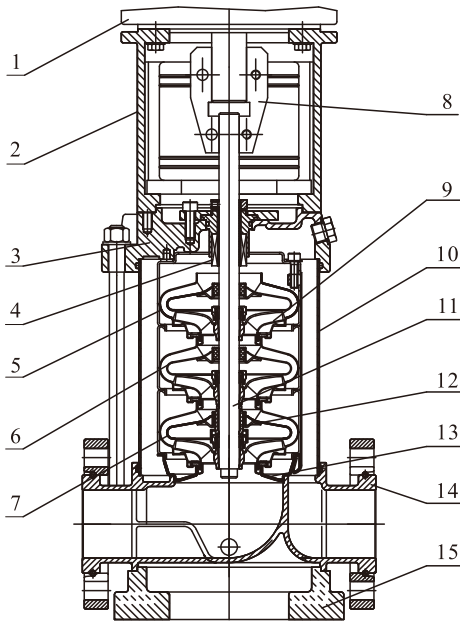
HVMT

### Materials HVM/HVMT 8,10,12,15,16,20

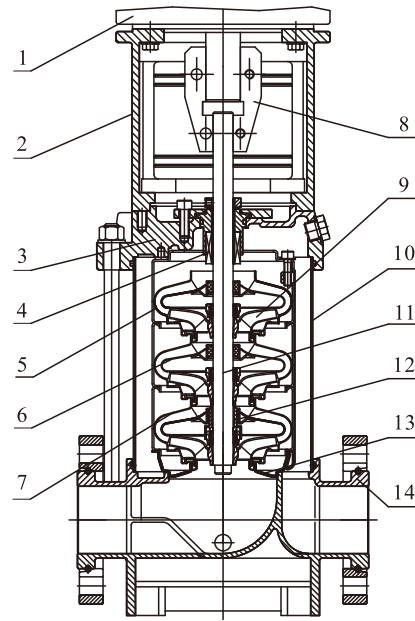
No.	Spare parts	Materials		GB		EN DIN		AISI/ASTM	
		HVM	HVMT	HVM	HVMT	HVM	HVMT	HVM	HVMT
1	Motor	/		/		/		/	
2	Bracket	Ductile cast iron		GB 1348-QT500-7		EN 1563 EN-GJS-500-7		ASTMA53665-45-12	
3	Seal base	Stainless steel /Ductile cast iron		GB/T20878-06Cr19Ni10 /GB1348-QT500-7		EN 10088-1.4301 /EN 1563 EN-GJS-500-7		AISI304 /ASTMA536 65-45-12	
4	Mechanical seal	/		/		/		/	
5	Top diffuser	Stainless steel		GB/T20878-06Cr19Ni10		EN 10088-1.4301		AISI304	
6	Diffuser	Stainless steel		GB/T20878-06Cr19Ni10		EN 10088-1.4301		AISI304	
7	Support diffuser	Stainless steel		GB/T20878-06Cr19Ni10		EN 10088-1.4301		AISI304	
8	Coupling	Ductile cast iron		GB 1348-QT500-7		EN 1563 EN-GJS-500-7		ASTMA536 65-45-12	
9	Impeller	Stainless steel		GB/T20878-06Cr19Ni10		EN 10088-1.4301		AISI304	
10	Cylinder	Stainless steel		GB/T20878-06Cr19Ni10		EN 10088-1.4301		AISI304	
11	Shaft	Stainless steel		GB/T20878-06Cr19Ni10		EN 10088-1.4301		AISI304	
12	Bearing	SiC/WC		/		/		/	
13	Inducer	Stainless steel		GB/T20878-06Cr19Ni10		EN 10088-1.4301		AISI304	
14	Inlet&outlet chamber	Stainless steel /Ductile cast iron		GB/T20878-06Cr19Ni10 /GB1348-QT500-7		EN 10088-1.4301 /EN 1563 EN-GJS-500-7		AISI304 /ASTMA536 65-45-12	
15	Base	Ductile cast iron		GB 1348-QT500-7		EN 1563 EN-GJS-500-7		ASTM A536 65-45-12	



**Structure HVM/HVMT 32,45,64,90**



**HVM**

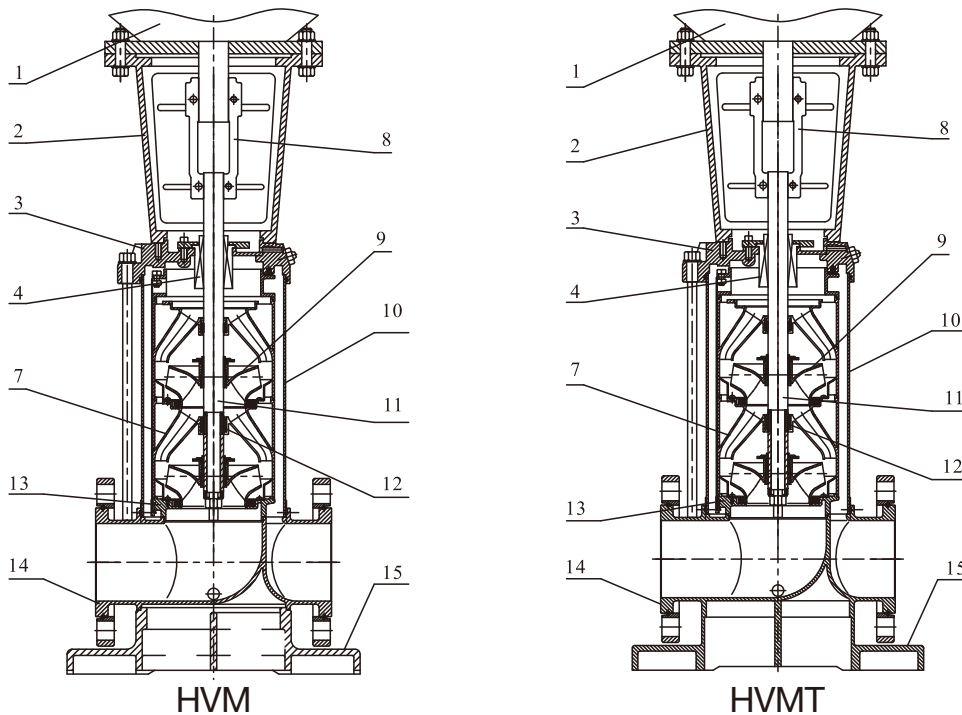


**HVMT**

**Materials HVM/HVMT 32,45,64,90**

No.	Spare parts	Materials		GB		EN DIN		AISI/ASTM	
		HVM	HVMT	HVM	HVMT	HVM	HVMT	HVM	HVMT
1	Motor	/		/		/		/	
2	Bracket	Ductile cast iron		GB 1348-QT500-7		EN 1563 EN-GJS-500-7		ASTMA536 65-45-12	
3	Seal base	Stainless steel /Ductile cast iron		GB/T20878-06Cr19Ni10 /GB1348-QT500-7		EN 10088-1.4301 /EN 1563 EN-GJS-500-7		AISI304 /ASTMA536 65-45-12	
4	Mechanical seal	/		/		/		/	
5	Top diffuser	Stainless steel		GB/T20878-06Cr19Ni10		EN 10088-1.4301		AISI304	
6	Diffuser	Stainless steel		GB/T20878-06Cr19Ni10		EN 10088-1.4301		AISI304	
7	Support diffuser	Stainless steel		GB/T20878-06Cr19Ni10		EN 10088-1.4301		AISI304	
8	Coupling	Ductile cast iron		GB 1348-QT500-7		EN 1563 EN-GJS-500-7		ASTMA536 65-45-12	
9	Impeller	Stainless steel		GB/T20878-06Cr19Ni10		EN 10088-1.4301		AISI304	
10	Cylinder	Stainless steel		GB/T20878-06Cr19Ni10		EN 10088-1.4301		AISI304	
11	Shaft	Stainless steel		GB/T20878-06Cr19Ni10		EN 10088-1.4301		AISI304	
12	Bearing	SiC/WC		/		/		/	
13	Inducer	Stainless steel		GB/T20878-06Cr19Ni10		EN 10088-1.4301		AISI304	
14	Inlet&outlet chamber	Stainless steel /Ductile cast iron		GB/T20878-06Cr19Ni10 /GB1348-QT500-7		EN 10088-1.4301 /EN 1563 EN-GJS-500-7		AISI304 /ASTMA536 65-45-12	
15	Base	Ductile cast iron		GB 1348-QT500-7		EN 1563 EN-GJS-500-7		ASTM A536 65-45-12	

### Structure HVM/HVMT 120,150,200

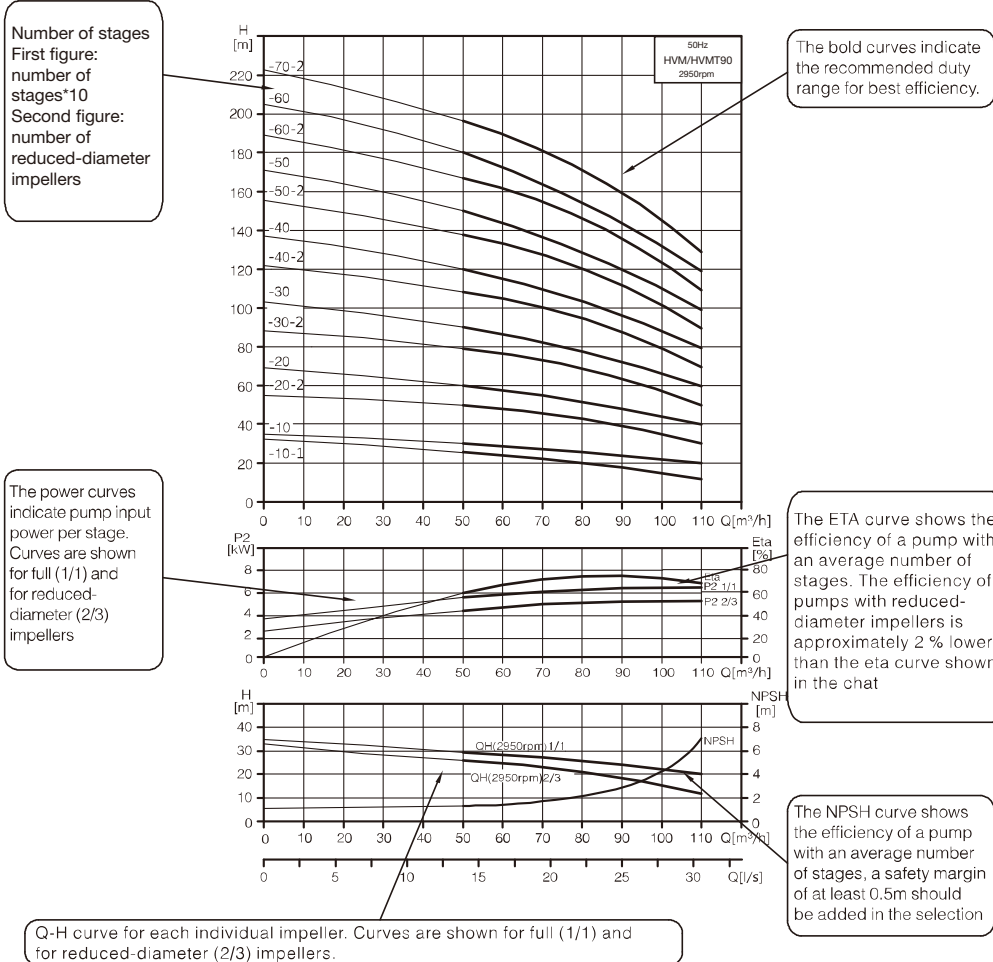


### Materials HVM/HVMT 120,150,200

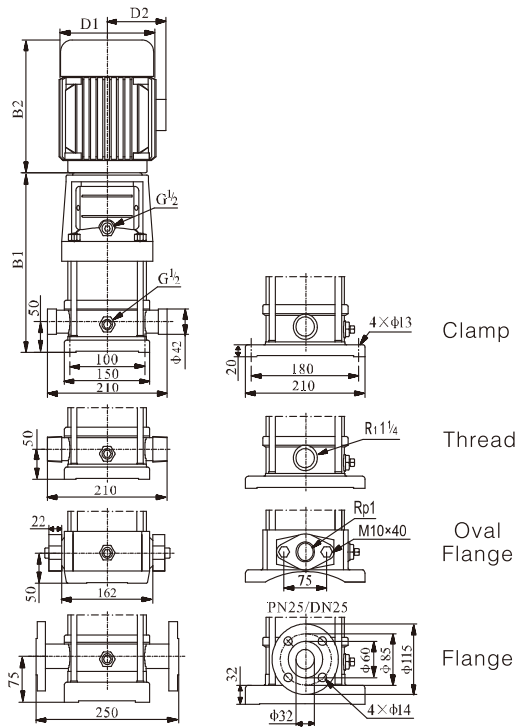
No.	Spare parts	Materials		GB		EN DIN		AISI/ASTM	
		HVM	HVMT	HVM	HVMT	HVM	HVMT	HVM	HVMT
1	Motor	/		/		/		/	
2	Bracket	Ductile cast iron		GB 1348-QT500-7		EN 1563 EN-GJS-500-7		ASTMA536 65-45-12	
3	Seal base	Stainless steel /Ductile cast iron		GB/T20878-06Cr19Ni10 /GB1348-QT500-7		EN 10088-1.4301 /EN 1563 EN-GJS-500-7		AISI304 /ASTMA536 65-45-12	
4	Mechanical seal	/		/		/		/	
5	Top diffuser	Stainless steel		GB/T20878-06Cr19Ni10		EN 10088-1.4301		AISI304	
6	Diffuser	Stainless steel		GB/T20878-06Cr19Ni10		EN 10088-1.4301		AISI304	
7	Support diffuser	Stainless steel		GB/T20878-06Cr19Ni10		EN 10088-1.4301		AISI304	
8	Coupling	Ductile cast iron		GB 1348-QT500-7		EN 1563 EN-GJS-500-7		ASTMA536 65-45-12	
9	Impeller	Stainless steel		GB/T20878-06Cr19Ni10		EN 10088-1.4301		AISI304	
10	Cylinder	Stainless steel		GB/T20878-06Cr19Ni10		EN 10088-1.4301		AISI304	
11	Shaft	Stainless steel		GB/T20878-06Cr19Ni10		EN 10088-1.4301		AISI304	
12	Bearing	SiC/WC		/		/		/	
13	Inducer	Stainless steel		GB/T20878-06Cr19Ni10		EN 10088-1.4301		AISI304	
14	Intel&outlet chamber	Stainless steel /Ductile cast iron		GB/T20878-06Cr19Ni10 /GB1348-QT500-7		EN 10088-1.4301 /EN 1563 EN-GJS-500-7		AISI304 /ASTMA536 65-45-12	
15	Base	Ductile cast iron		GB 1348-QT500-7		EN 1563 EN-GJS-500-7		ASTM A536 65-45-12	

**Curve charts reading**

Performance cruve



### Installation dimensions and weight



Model	Dimension ( mm )					Weight (kg)
	B1	B2	B1+B2	D1	D2	
HVM(T)1-20	258	239	497	148	117	20
HVM(T)1-30	276	239	515	148	117	20
HVM(T)1-40	294	239	533	148	117	21
HVM(T)1-50	312	239	551	148	117	21
HVM(T)1-60	330	239	569	148	117	22
HVM(T)1-70	348	239	587	148	117	23
HVM(T)1-80	366	239	605	148	117	24
HVM(T)1-90	384	239	623	148	117	25
HVM(T)1-100	402	239	641	148	117	26
HVM(T)1-110	420	239	659	148	117	26
HVM(T)1-120	448	280	728	170	142	29
HVM(T)1-130	466	280	746	170	142	30
HVM(T)1-150	502	280	782	170	142	31
HVM(T)1-170	538	280	818	170	142	33
HVM(T)1-190	574	280	854	170	142	34
HVM(T)1-210	610	280	890	170	142	35
HVM(T)1-230	646	280	926	170	142	36
HVM(T)1-250	692	333	1025	190	155	42
HVM(T)1-270	728	333	1061	190	155	43
HVM(T)1-300	782	333	1115	190	155	45
HVM(T)1-330	836	333	1169	190	155	49
HVM(T)1-360	890	333	1223	190	155	51

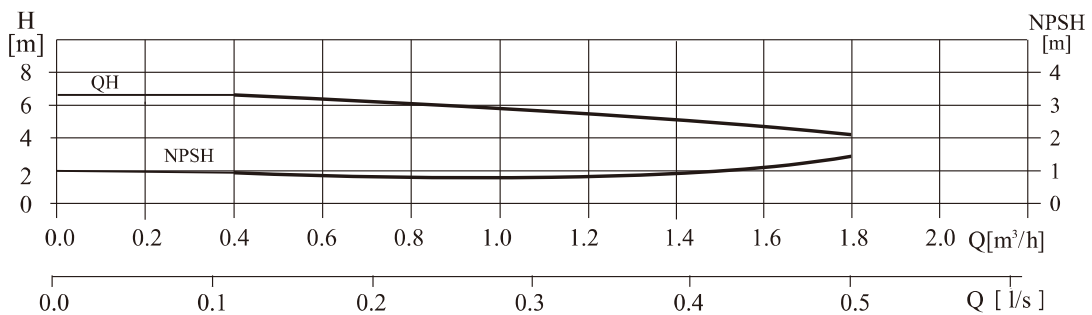
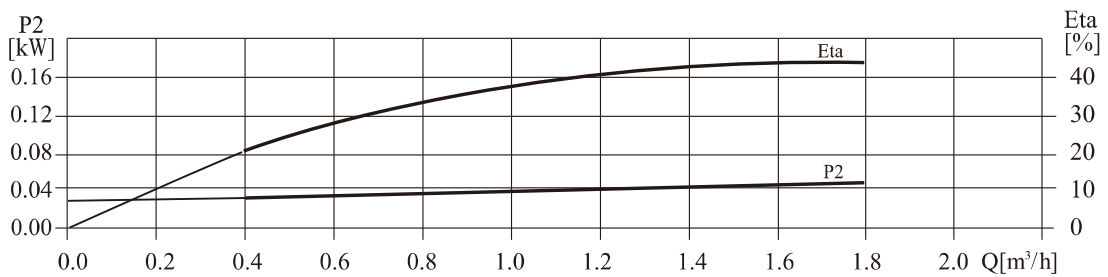
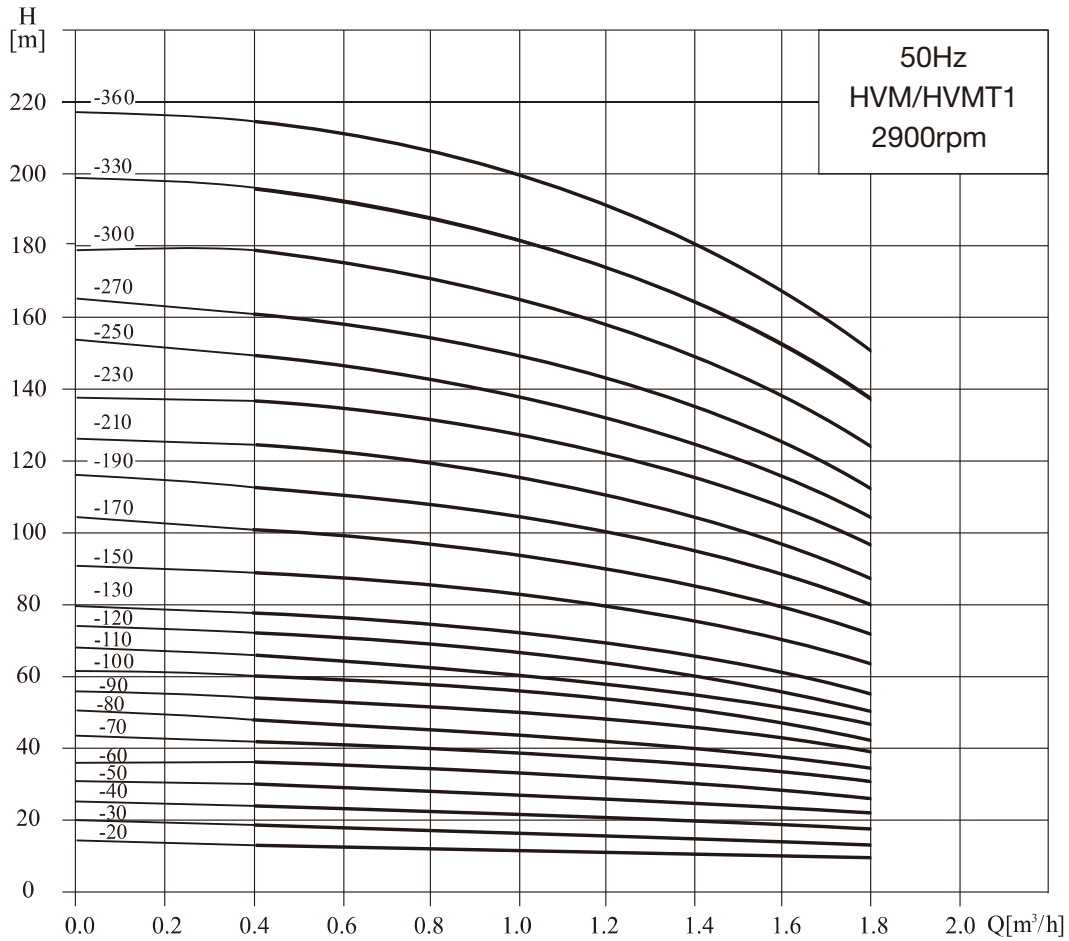
### Performance data

Model	Power		Q (m³/h)	0.4	0.6	0.8	1.0	1.2	1.4	1.6	1.8
	kW	Hp									
HVM(T)1-20	0.37	0.5	H (m)	13	12.5	12	11.5	11	10.5	10	9.5
HVM(T)1-30	0.37	0.5		19	18	17.5	17	16.5	16	15	14
HVM(T)1-40	0.37	0.5		24	23.5	23	22.5	21.5	21	19	18
HVM(T)1-50	0.37	0.5		30	29.6	29	28	27	26	24	22
HVM(T)1-60	0.37	0.5		36	35.5	35	33.5	33	31	28	26
HVM(T)1-70	0.37	0.5		42	41	40.5	39	38	36	33	30
HVM(T)1-80	0.55	0.75		48	47	46	45	43	41	38	34
HVM(T)1-90	0.55	0.75		54	53	52	51	49	46	43	39
HVM(T)1-100	0.55	0.75		60	59	58	57	54	51	48	43
HVM(T)1-110	0.55	0.75		66	65	63	61	59	56	52	47
HVM(T)1-120	0.75	1		72	71	69	67	64	61	57	51
HVM(T)1-130	0.75	1		78	77	75	73	69	66	62	55
HVM(T)1-150	0.75	1		89	88	86	84	79	76	71	63
HVM(T)1-170	1.1	1.5		101	99	97	95	89	86	80	71
HVM(T)1-190	1.1	1.5		113	110	108	106	99	96	89	79
HVM(T)1-210	1.1	1.5		124	122	120	117	110	106	98	87
HVM(T)1-230	1.1	1.5		137	133	131	128	121	116	107	96
HVM(T)1-250	1.5	2		149	145	143	139	131	126	116	104
HVM(T)1-270	1.5	2		161	157	155	150	141	136	125	112
HVM(T)1-300	1.5	2		178	175	171	166	157	150	139	124
HVM(T)1-330	2.2	3	196	192	188	183	173	165	154	137	
HVM(T)1-360	2.2	3	214	210	205	200	190	181	169	151	

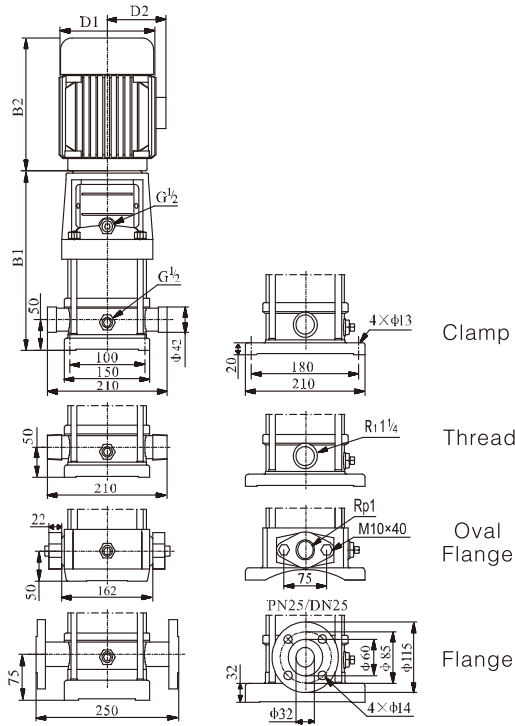
HVMT1-250~1-360 No oval flange pump.

The appearance dimensions of Single Phase motor and Explosion-proof motor changed, reach us for details.

**Performance cruve**



### Installation dimensions and weight



Model	Dimension ( mm )					Weight (kg)
	B1	B2	B1+B2	D1	D2	
HVM(T)2-20	258	239	497	148	117	20
HVM(T)2-30	276	239	515	148	117	20
HVM(T)2-40	294	239	533	148	117	22
HVM(T)2-50	312	239	551	148	117	23
HVM(T)2-60	340	280	620	170	142	26
HVM(T)2-70	358	280	638	170	142	26
HVM(T)2-90	394	280	674	170	142	28
HVM(T)2-110	430	280	710	170	142	29
HVM(T)2-130	476	333	809	190	155	35
HVM(T)2-150	512	333	845	190	155	36
HVM(T)2-180	566	333	899	190	155	41
HVM(T)2-220	638	333	971	190	155	42
HVM(T)2-260	720	348	1068	197	165	52

### Performance data

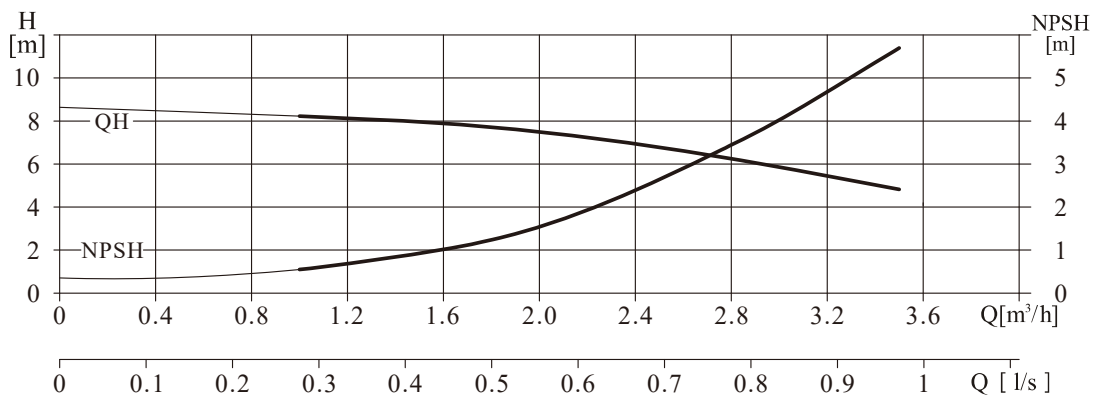
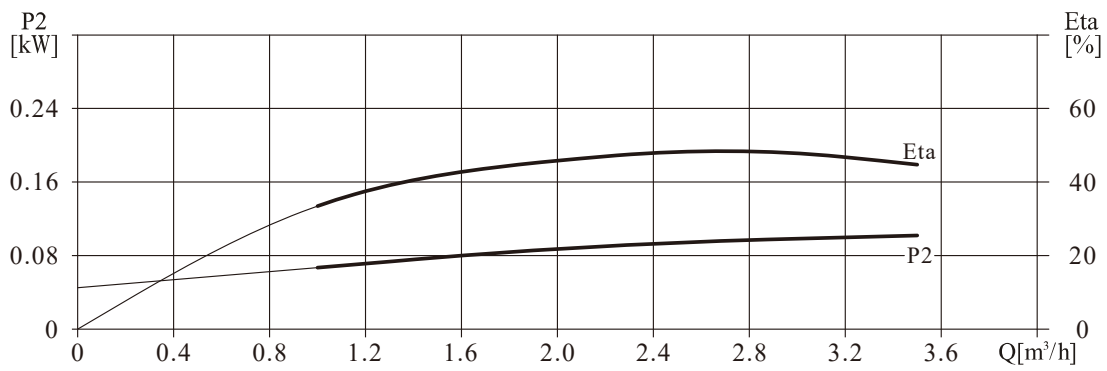
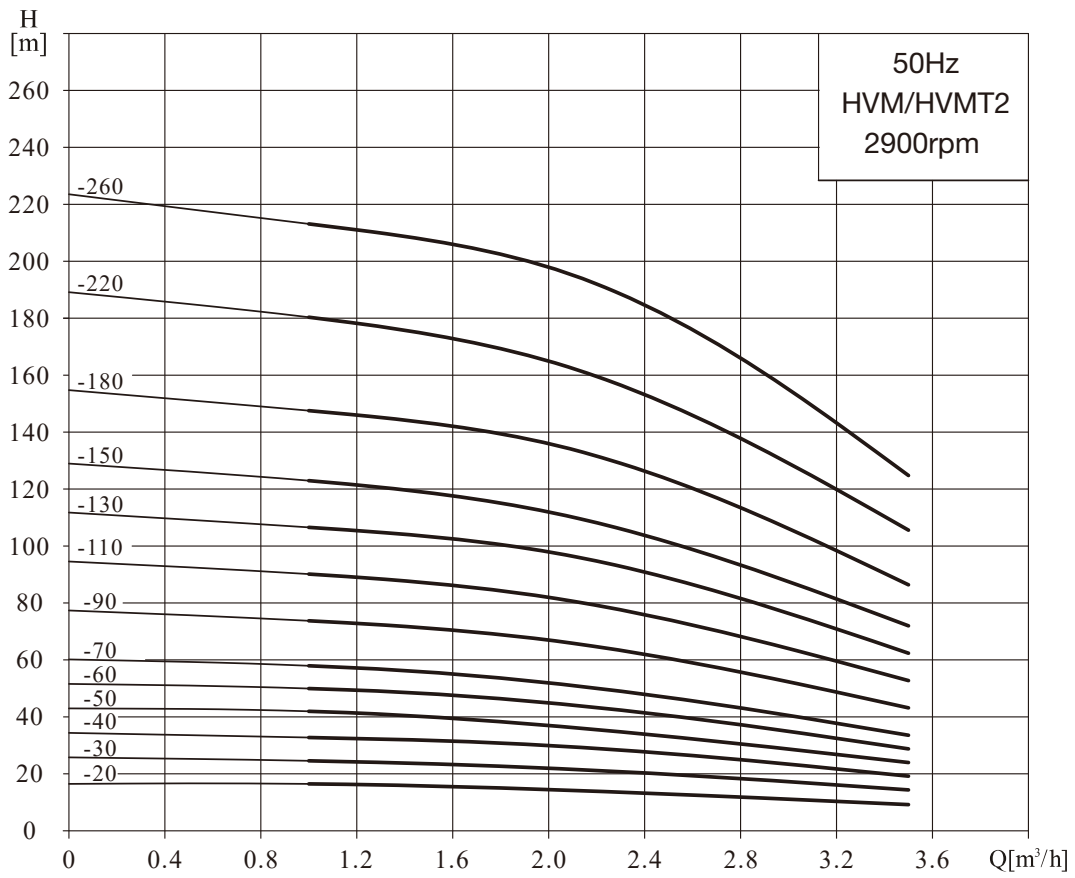
Model	Power		Q (m³/h)	1	1.2	1.6	2.0	2.4	2.8	3.2	3.5
	kW	Hp									
HVM(T)2-20	0.37	0.5	H (m)	16.5	16	15.5	14.5	13	12	11	9
HVM(T)2-30	0.37	0.5		25	24	23	22	21	19	17	14
HVM(T)2-40	0.55	0.75		33	32	31	30	28	26	22	19
HVM(T)2-50	0.55	0.75		42	41	39	37	35	32	28	24
HVM(T)2-60	0.75	1		50	49	47	45	42	38	34	29
HVM(T)2-70	0.75	1		58	57	55	52	49	45	39	34
HVM(T)2-90	1.1	1.5		74	73	70	67	63	58	50	43
HVM(T)2-110	1.1	1.5		90	89	86	82	77	70	62	53
HVM(T)2-130	1.5	2		107	105	101	98	91	83	73	62
HVM(T)2-150	1.5	2		123	122	117	112	105	96	84	72
HVM(T)2-180	2.2	3		148	146	140	136	126	115	101	86
HVM(T)2-220	2.2	3		180	178	172	165	154	141	123	106
HVM(T)2-260	3.0	4		213	211	203	198	182	166	146	125

HVMT2-180~2-260 No oval flange pump.

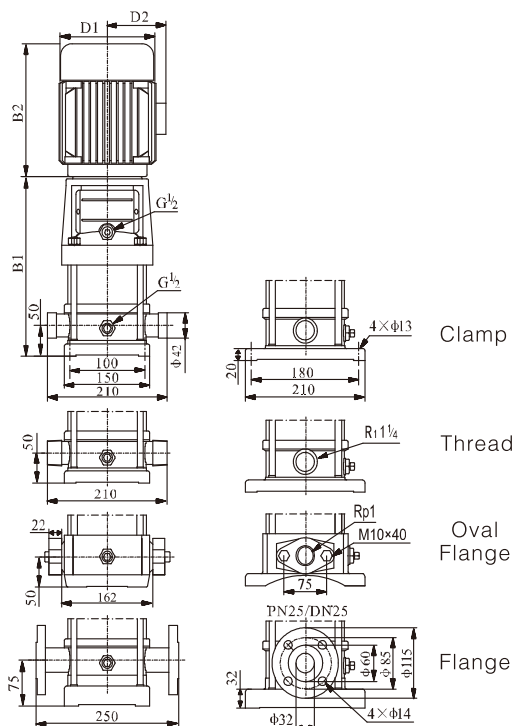
The appearance dimensions of Single Phase motor and Explosion-proof motor changed, reach us for details.



**Performance cruve**



### Installation dimensions and weight



Model	Dimension ( mm )					Weight (kg)
	B1	B2	B1+B2	D1	D2	
HVM(T)3-20	258	239	497	148	117	20
HVM(T)3-30	276	239	515	148	117	20
HVM(T)3-40	294	239	533	148	117	21
HVM(T)3-50	312	239	551	148	117	21
HVM(T)3-60	330	239	569	148	117	23
HVM(T)3-70	348	239	587	148	117	24
HVM(T)3-80	376	280	656	170	142	27
HVM(T)3-90	394	280	674	170	142	28
HVM(T)3-100	412	280	692	170	142	28
HVM(T)3-110	430	280	710	170	142	29
HVM(T)3-120	448	280	728	170	142	30
HVM(T)3-130	466	280	746	170	142	31
HVM(T)3-150	502	280	782	170	142	32
HVM(T)3-170	548	333	881	190	155	38
HVM(T)3-190	584	333	917	190	155	39
HVM(T)3-210	620	333	953	190	155	42
HVM(T)3-230	656	333	989	190	155	43
HVM(T)3-250	692	333	1025	190	155	44
HVM(T)3-270	728	333	1061	190	155	45
HVM(T)3-290	764	333	1097	190	155	46
HVM(T)3-310	810	348	1158	197	165	54
HVM(T)3-330	846	348	1194	197	165	55
HVM(T)3-360	900	348	1248	197	165	57

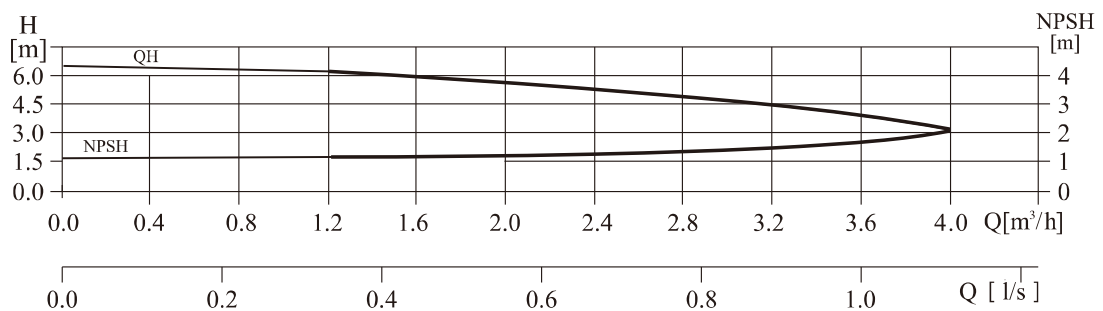
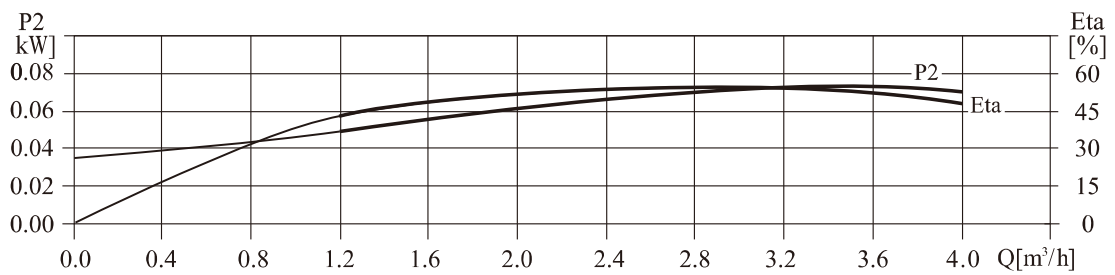
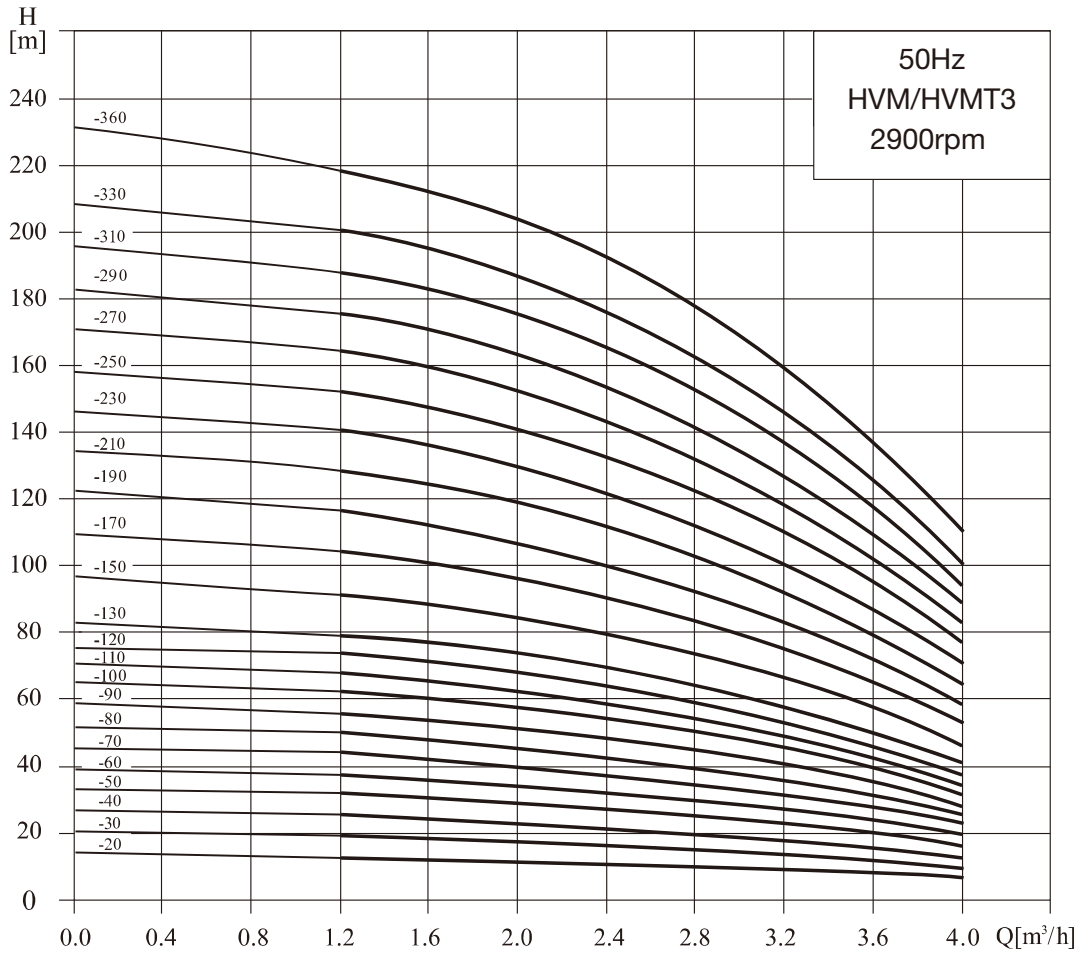
### Performance data

Model	Power		Q (m³/h)	1.2	1.6	2.0	2.4	2.8	3.0	3.2	3.6	4.0
	kW	Hp										
HVM(T)3-20	0.37	0.5	H (m)	12.5	11.5	11	10.5	10	9	8	7	6
HVM(T)3-30	0.37	0.5		19	18.5	17.5	16.5	15	14	13	11	9
HVM(T)3-40	0.37	0.5		25	24	23	21.5	20	19	18	15	12
HVM(T)3-50	0.37	0.5		31	30	29	27	25	23	22	19	16
HVM(T)3-60	0.55	0.75		36	35	34	32	30	28	27	23	19
HVM(T)3-70	0.55	0.75		43	41	39	37	34	32	31	27	22
HVM(T)3-80	0.75	1		49	47	45	43	39	37	35	31	25
HVM(T)3-90	0.75	1		55	53	51	48	45	42	40	35	28
HVM(T)3-100	0.75	1		61	59	57	54	50	47	45	39	31
HVM(T)3-110	1.1	1.5		67	64	61	58	54	51	49	42	34
HVM(T)3-120	1.1	1.5		73	70	67	63	58	55	52	45	37
HVM(T)3-130	1.1	1.5		78	76	73	69	64	60	57	49	40
HVM(T)3-150	1.1	1.5		90	88	84	79	73	69	66	57	46
HVM(T)3-170	1.5	2		103	100	96	90	83	79	75	64	52
HVM(T)3-190	1.5	2		115	112	107	100	92	88	83	72	58
HVM(T)3-210	2.2	3		128	124	119	112	102	98	91	79	64
HVM(T)3-230	2.2	3		140	135	130	122	112	107	100	86	70
HVM(T)3-250	2.2	3		151	147	141	131	122	116	109	94	76
HVM(T)3-270	2.2	3		164	159	152	143	132	124	117	101	82
HVM(T)3-290	2.2	3		175	170	163	153	142	133	126	109	88
HVM(T)3-310	3.0	4	187	182	175	165	153	142	135	116	94	
HVM(T)3-330	3.0	4	199	194	187	176	163	151	145	125	100	
HVM(T)3-360	3.0	4	218	212	204	192	178	168	159	137	109	

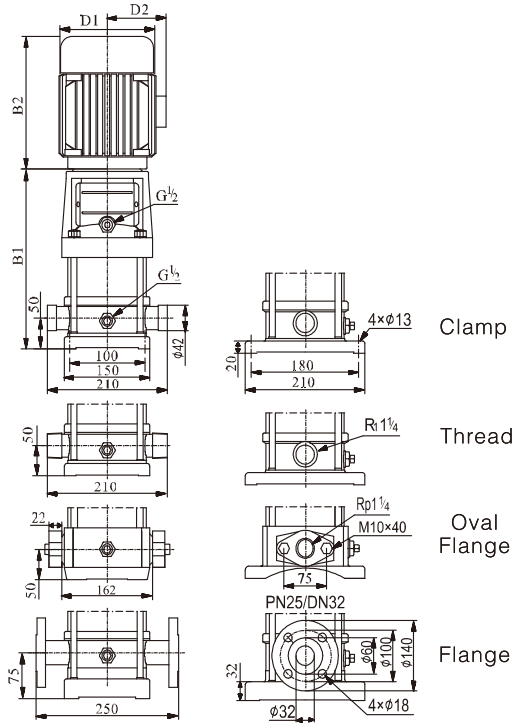
HVMT3-250~3-360 No oval flange pump.

The appearance dimensions of Single Phase motor and Explosion-proof motor changed, reach us for details.

**Performance cruve**



### Installation dimensions and weight



Model	Dimension ( mm )					Weight (kg)
	B1	B2	B1+B2	D1	D2	
HVM(T)4-20	276	239	515	148	117	21
HVM(T)4-30	303	239	542	148	117	22
HVM(T)4-40	340	280	620	170	142	25
HVM(T)4-50	367	280	647	170	142	27
HVM(T)4-60	394	280	674	170	142	27
HVM(T)4-70	431	333	764	190	155	33
HVM(T)4-80	458	333	791	190	155	33
HVM(T)4-100	512	333	845	190	155	37
HVM(T)4-120	566	333	899	190	155	38
HVM(T)4-140	630	348	978	197	165	46
HVM(T)4-160	684	348	1032	197	165	48
HVM(T)4-190	765	382	1147	230	188	57
HVM(T)4-220	846	382	1228	230	188	59

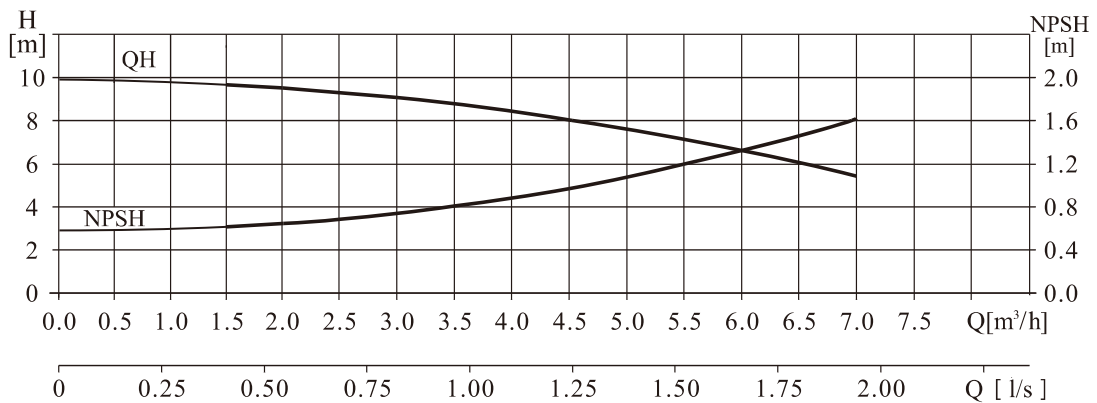
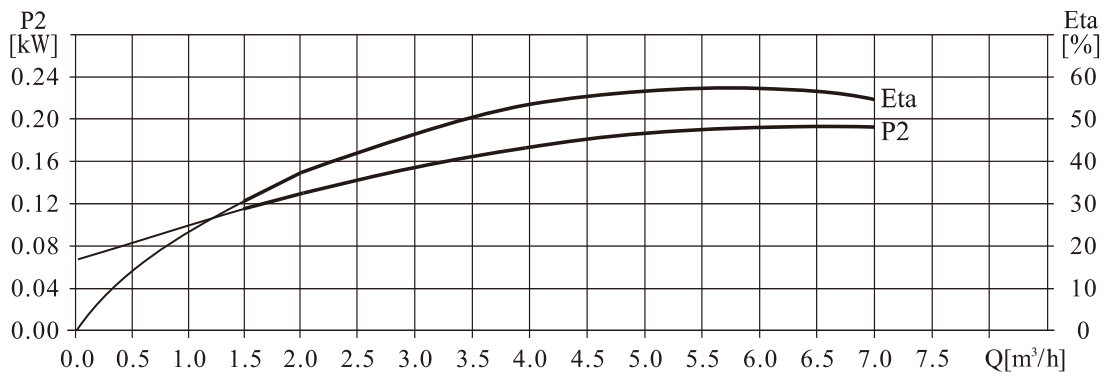
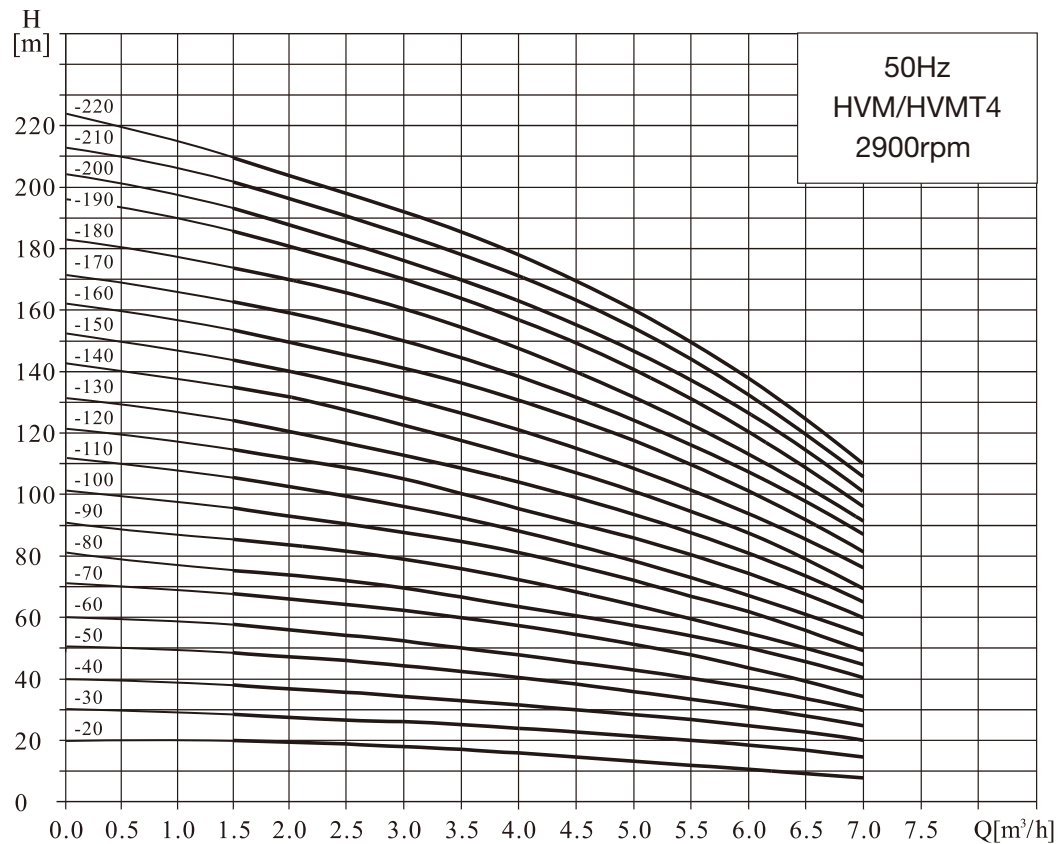
### Performance data

Model	Power		Q (m³/h)	1.5	2.0	3.0	4.0	5.0	6.0	7.0
	kW	Hp								
HVM(T)4-20	0.37	0.5	H (m)	19	18	17	15	13	10	8
HVM(T)4-30	0.55	0.75		28	27	26	24	20	18	13
HVM(T)4-40	0.75	1		38	36	34	32	27	24	19
HVM(T)4-50	1.1	1.5		47	45	43	40	34	31	23
HVM(T)4-60	1.1	1.5		56	54	52	48	41	37	28
HVM(T)4-70	1.5	2		66	63	61	56	48	43	33
HVM(T)4-80	1.5	2		74	72	70	64	55	50	38
HVM(T)4-100	2.2	3		96	90	87	81	71	62	48
HVM(T)4-120	2.2	3		114	108	104	95	85	75	58
HVM(T)4-140	3.0	4		136	126	122	112	101	89	68
HVM(T)4-160	3.0	4		152	144	140	129	115	101	78
HVM(T)4-190	4.0	5.5		183	171	168	153	137	122	93
HVM(T)4-220	4.0	5.5		211	200	192	178	160	138	108

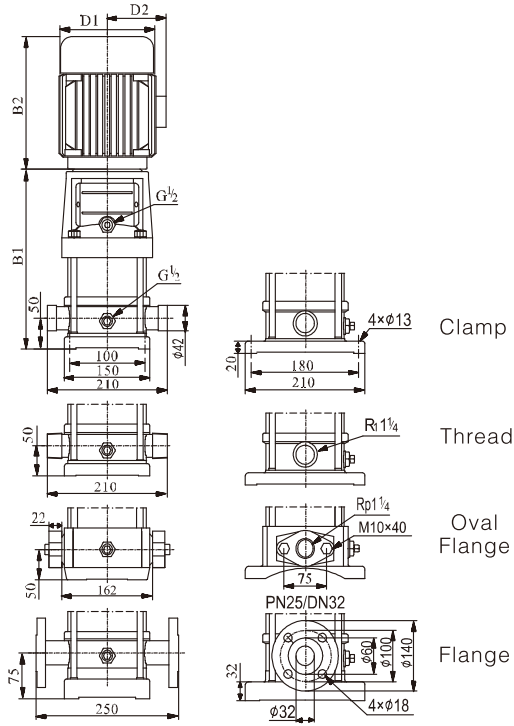
HVMT4-190~4-220 No oval flange pump.

The appearance dimensions of Single Phase motor and Explosion-proof motor changed, reach us for details.

**Performance cruve**



### Installation dimensions and weight



Model	Dimension ( mm )					Weight (kg)
	B1	B2	B1+B2	D1	D2	
HVM(T)5-20	276	239	515	148	117	21
HVM(T)5-30	303	239	541	148	117	22
HVM(T)5-40	330	239	569	148	117	23
HVM(T)5-50	367	280	647	170	142	25
HVM(T)5-60	394	280	674	170	142	26
HVM(T)5-80	448	280	728	170	142	27
HVM(T)5-100	512	333	845	190	155	33
HVM(T)5-120	566	333	899	190	155	37
HVM(T)5-140	620	333	953	190	155	38
HVM(T)5-160	674	333	1007	190	155	39
HVM(T)5-180	738	348	1086	197	165	48
HVM(T)5-200	792	348	1140	197	165	49
HVM(T)5-220	846	382	1228	230	185	57
HVM(T)5-240	900	382	1282	230	185	58
HVM(T)5-260	954	382	1336	230	185	59
HVM(T)5-290	1035	382	1417	230	185	60
HVM(T)5-320	1136	435	1571	260	210	75
HVM(T)5-360	1244	435	1679	260	210	76

### Performance data

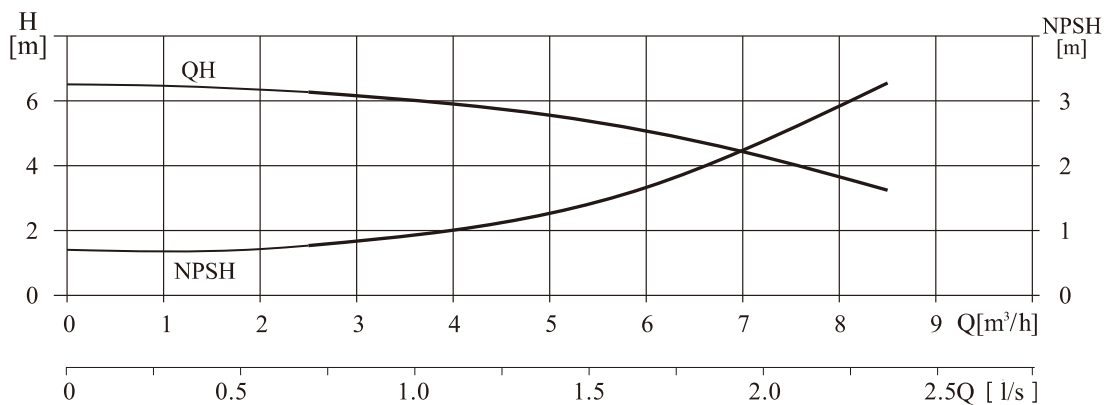
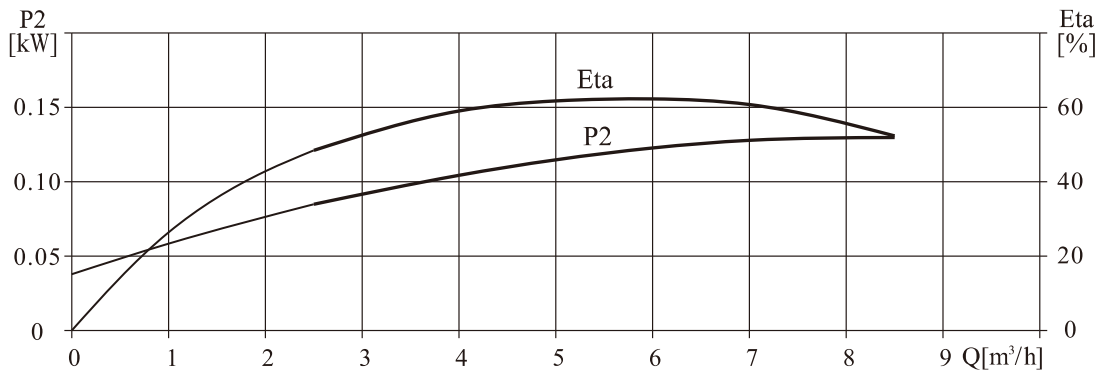
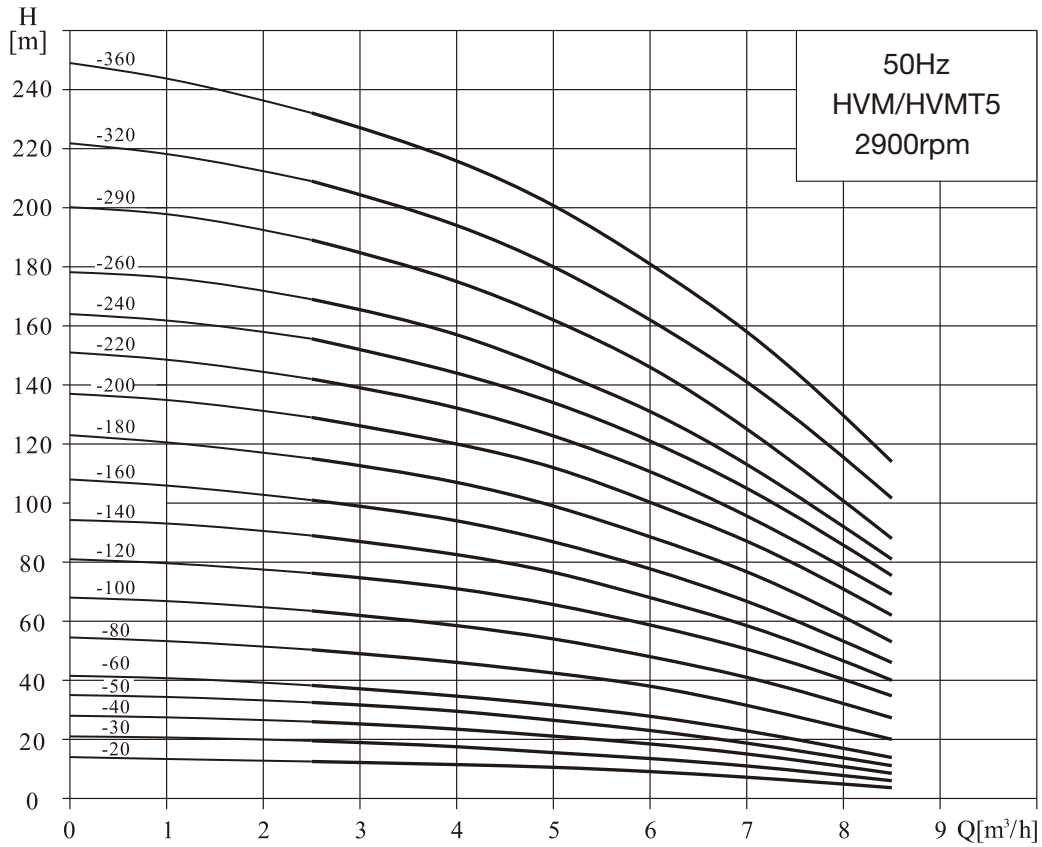
Model	Power		Q (m <sup>3</sup> /h)	2.5	4	5	6	7	8.5
	kW	Hp							
HVM(T)5-20	0.37	0.5	H (m)	12.5	11.5	10.5	9	7	3.5
HVM(T)5-30	0.55	0.75		19.5	17.5	15.5	13.5	11	6
HVM(T)5-40	0.55	0.75		26	23.5	21	18.5	15	8.5
HVM(T)5-50	0.75	1		32.5	29.5	26.5	23	18.5	11
HVM(T)5-60	1.1	1.5		38.5	34.5	31.5	28	23	14
HVM(T)5-80	1.1	1.5		50.5	46	42.5	38	31.5	20
HVM(T)5-100	1.5	2		63.5	58.5	54	48	41	27.5
HVM(T)5-120	2.2	3		76	71	65.5	58.5	50.5	35
HVM(T)5-140	2.2	3		89	82	76.5	68	58.5	40
HVM(T)5-160	2.2	3		101	94	87	77.5	66.5	46
HVM(T)5-180	3.0	4		115	107	99	88.5	77	53
HVM(T)5-200	3.0	4		129	120	112	100	87	62
HVM(T)5-220	4.0	5.5		142	132	123	111	96	69
HVM(T)5-240	4.0	5.5		156	144	134	121	105	75.5
HVM(T)5-260	4.0	5.5		169	157	145	131	113	81
HVM(T)5-290	4.0	5.5		189	175	162	146	125	88
HVM(T)5-320	5.5	7.5		209	194	180	162	141	102
HVM(T)5-360	5.5	7.5		232	216	201	181	158	114

HVMT5-260~5-360 No oval flange pump.

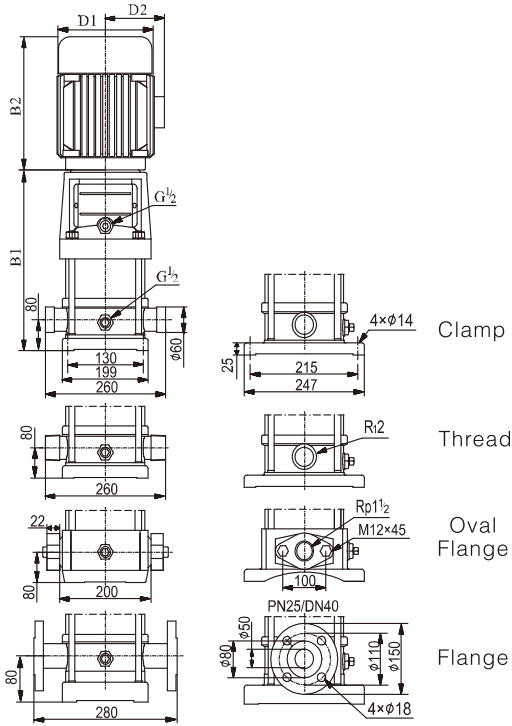
The appearance dimensions of Single Phase motor and Explosion-proof motor changed, reach us for details.



**Performance cruve**



### Installation dimensions and weight



Model	Dimension ( mm )					Weight (kg)
	B1	B2	B1+B2	D1	D2	
HVM(T)8-20	347	280	627	170	142	32
HVM(T)8-30	377	280	657	170	142	34
HVM(T)8-40	417	333	750	190	155	40
HVM(T)8-50	447	333	780	190	155	44
HVM(T)8-60	477	333	810	190	155	45
HVM(T)8-80	547	348	895	197	165	53
HVM(T)8-100	607	382	989	230	188	64
HVM(T)8-120	667	382	1049	230	188	66
HVM(T)8-140	747	435	1182	260	208	81
HVM(T)8-160	807	435	1242	260	208	84
HVM(T)8-180	867	435	1302	260	208	93
HVM(T)8-200	927	435	1362	260	208	94

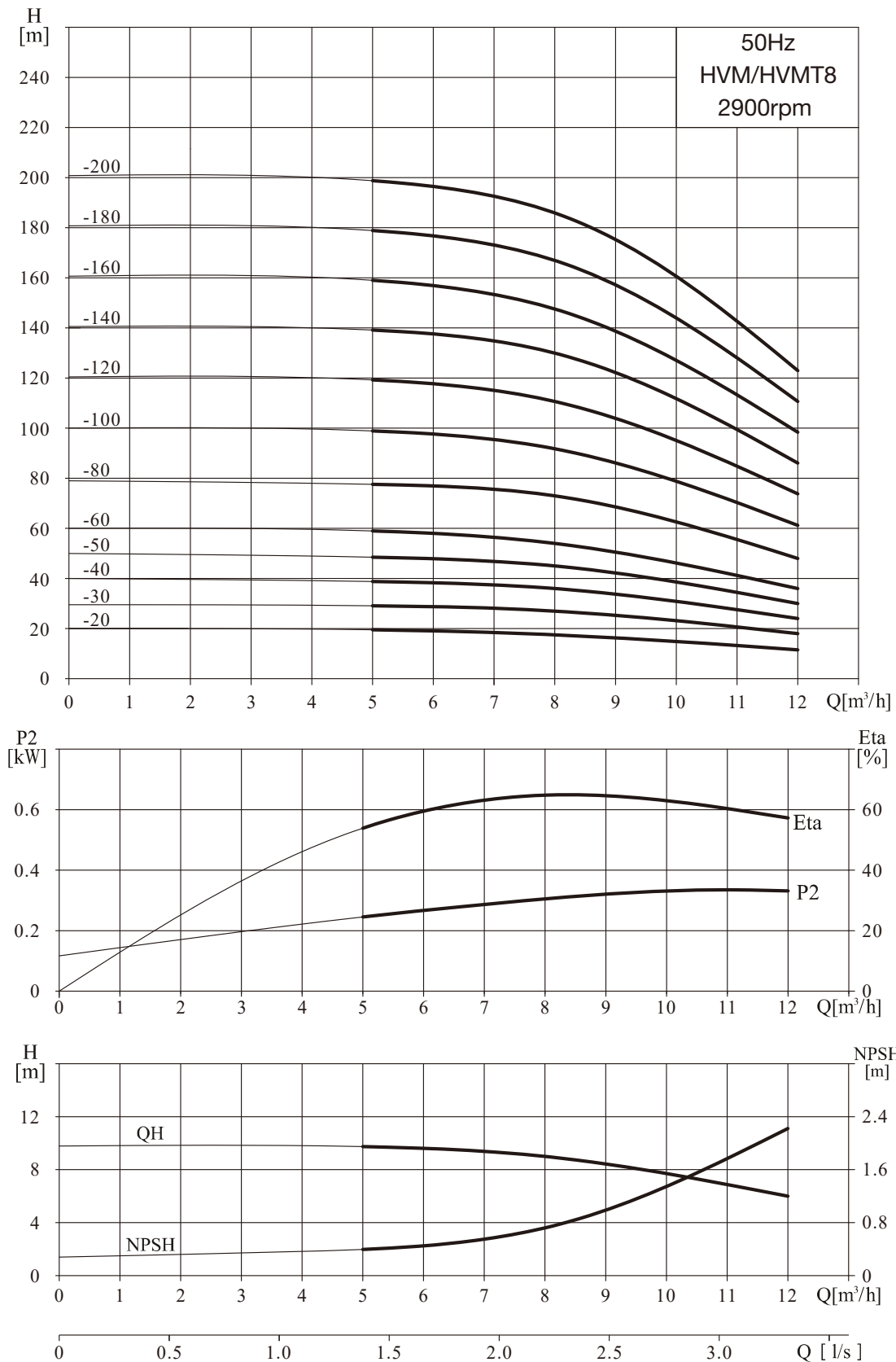
### Performance data

Model	Power		Q (m <sup>3</sup> /h)	5	6	7	8	9	10	11	12
	kW	Hp									
HVM(T)8-20	0.75	1	H (m)	19.5	19	18.5	17.5	16	15	13	12
HVM(T)8-30	1.1	1.5		29	28.5	28	27	26	23	21	18
HVM(T)8-40	1.5	2		39	38	37	36	34	31	28	24
HVM(T)8-50	2.2	3		49	48	47	45	43	39	35	30
HVM(T)8-60	2.2	3		59	58	56	54	51	47	42	36
HVM(T)8-80	3.0	4		78	77	75	73	68	62	56	48
HVM(T)8-100	4.0	5.5		99	98	96	92	87	80	71	61
HVM(T)8-120	4.0	5.5		119	118	116	111	105	96	86	74
HVM(T)8-140	5.5	7.5		139	138	135	130	122	112	100	86
HVM(T)8-160	5.5	7.5		159	157	154	148	139	128	115	98
HVM(T)8-180	7.5	10		179	177	173	167	157	144	129	111
HVM(T)8-200	7.5	10		199	197	193	186	174	160	144	123

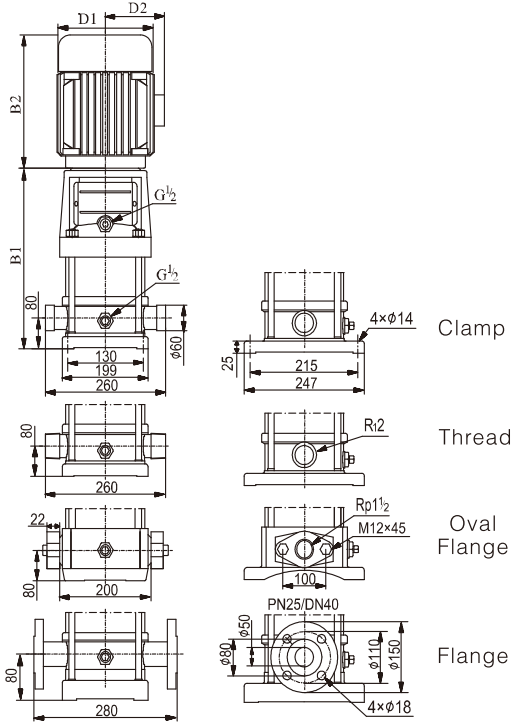
HVMT8-140-8-200 No oval flange pump.

The appearance dimensions of Single Phase motor and Explosion-proof motor changed, reach us for details.

**Performance cruve**



### Installation dimensions and weight



Model	Dimension ( mm )					Weight (kg)
	B1	B2	B1+B2	D1	D2	
HVM(T)10-20	347	280	627	170	142	32
HVM(T)10-30	377	280	657	170	142	34
HVM(T)10-40	417	333	750	190	155	40
HVM(T)10-50	447	333	780	190	155	44
HVM(T)10-60	477	333	810	190	155	45
HVM(T)10-70	517	348	865	197	165	52
HVM(T)10-80	547	348	895	197	165	53
HVM(T)10-90	577	348	925	197	165	54
HVM(T)10-100	607	382	989	230	185	64
HVM(T)10-120	667	382	1049	230	185	66
HVM(T)10-140	747	435	1182	260	210	81
HVM(T)10-160	807	435	1242	260	210	82
HVM(T)10-180	867	435	1302	260	210	93
HVM(T)10-200	927	435	1362	260	210	94
HVM(T)10-220	987	435	1422	260	210	95

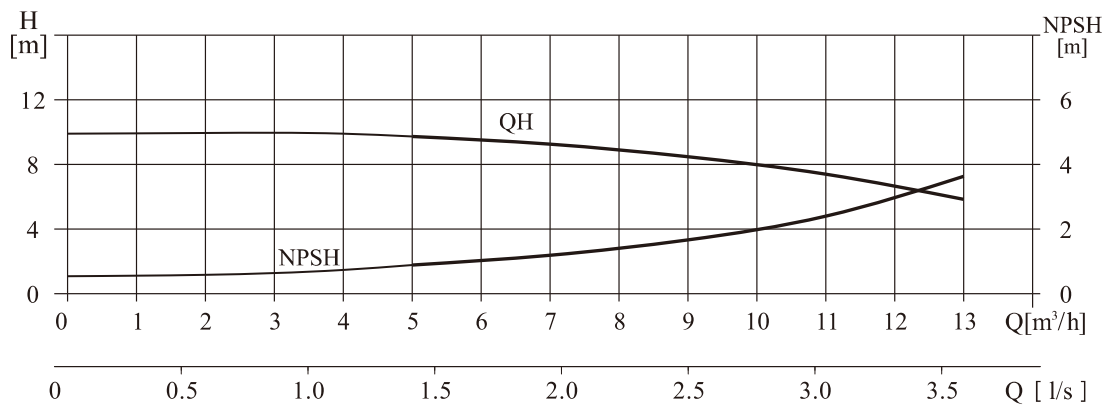
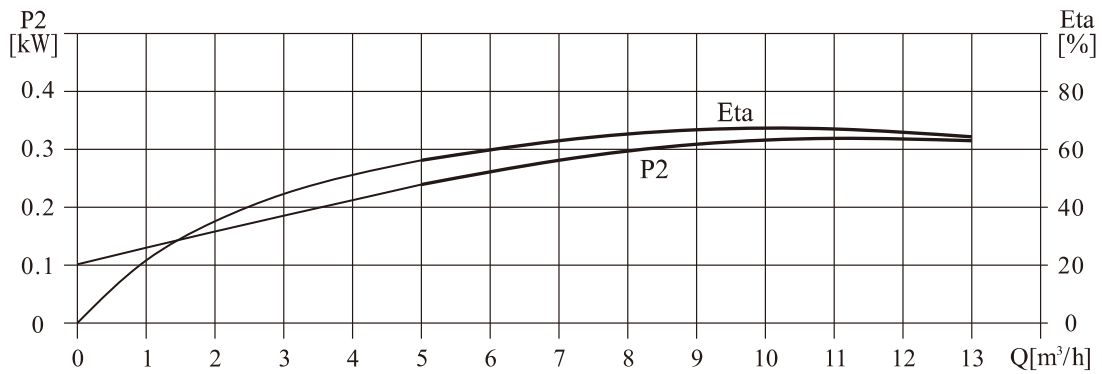
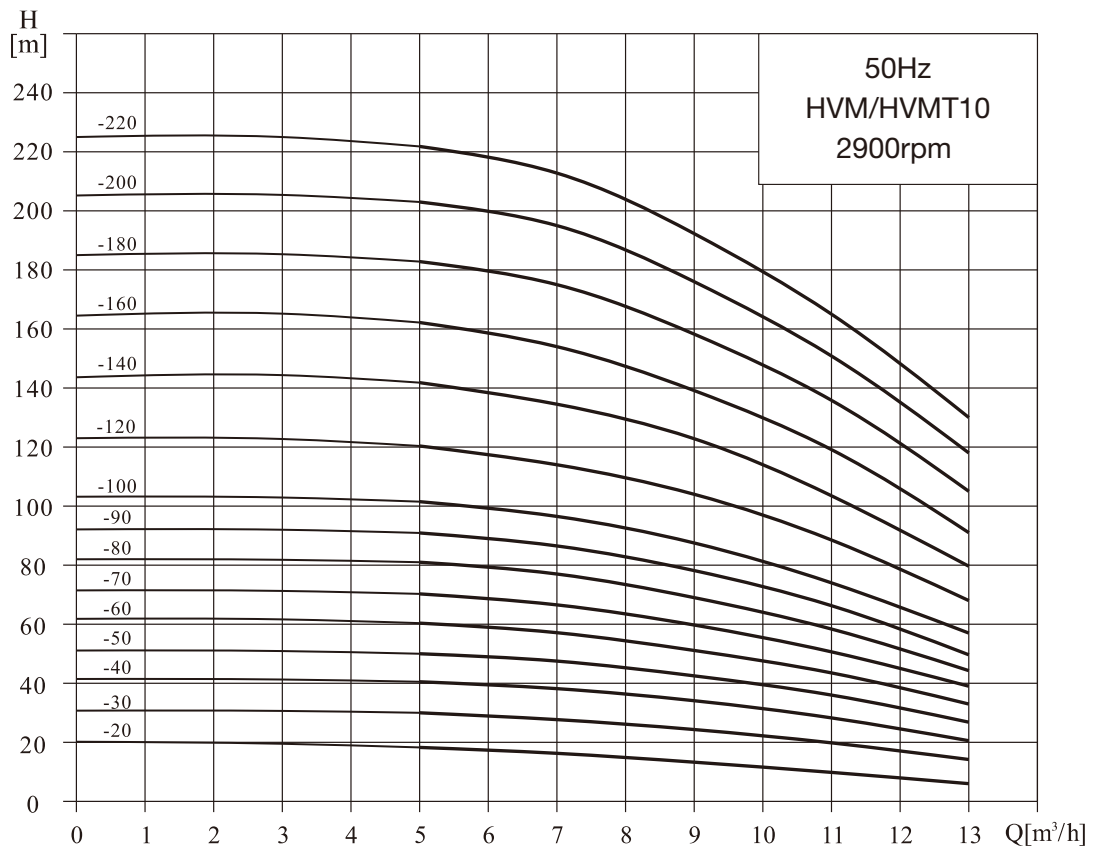
### Performance data

Model	Power		Q (m <sup>3</sup> /h)	5	6	7	8	9	10	11	12	13
	kW	Hp										
HVM(T)10-20	0.75	1	H (m)	18.5	17	16	14	13	12	10	8.5	7
HVM(T)10-30	1.1	1.5		30	28.5	27.5	25.5	24.5	22	20	18	14.5
HVM(T)10-40	1.5	2		40.5	39.5	38.5	36.5	34	31.5	28.5	25.5	21
HVM(T)10-50	2.2	3		50	49	47.5	45.5	42.5	39.5	36	32	27
HVM(T)10-60	2.2	3		60	59	57	55	51	47.5	43.5	39	33.5
HVM(T)10-70	3.0	4		70.5	69	66.5	64	59.5	55.5	50.5	45.5	39
HVM(T)10-80	3.0	4		81	79	77	74.5	69	64	58.5	53	44.5
HVM(T)10-90	3.0	4		91	89	86.5	82.5	78	72	66.5	59.5	50
HVM(T)10-100	4.0	5.5		101.5	99	96.5	92.5	87.5	81.5	74	67	57
HVM(T)10-120	4.0	5.5		120.5	119	114	110	104	97	88.5	80	68
HVM(T)10-140	5.5	7.5		142	139	134.5	131	123	114	103.5	93.5	80
HVM(T)10-160	5.5	7.5		162	159	154	148.5	139	130	119	107	91
HVM(T)10-180	7.5	10		183	180	175	167	158	148	136	121	105
HVM(T)10-200	7.5	10		203	200	195	186	176	165	151	134	118
HVM(T)10-220	7.5	10		222	219	213	203	192	179	165	149	130

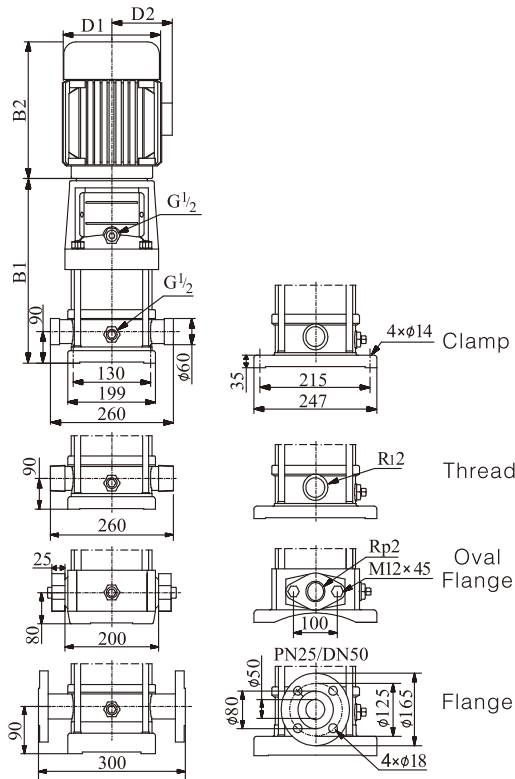
HVMT10-160~10-220 No oval flange pump.

The appearance dimensions of Single Phase motor and Explosion-proof motor changed, reach us for details.

**Performance cruve**



### Installation dimensions and weight



Model	Dimension ( mm )					Weight (kg)
	B1	B2	B1+B2	D1	D2	
HVM(T)12-20	367	333	700	190	155	39
HVM(T)12-30	397	333	730	190	155	43
HVM(T)12-40	437	348	785	197	165	51
HVM(T)12-50	467	348	815	197	165	53
HVM(T)12-60	497	382	879	230	188	61
HVM(T)12-70	547	435	982	260	208	73
HVM(T)12-80	577	435	1012	260	208	74
HVM(T)12-90	607	435	1042	260	208	76
HVM(T)12-100	637	435	1072	260	208	83
HVM(T)12-120	697	435	1132	260	208	87
HVM(T)12-140	845	580	1425	350	260	158
HVM(T)12-160	905	580	1485	350	260	161
HVM(T)12-180	965	580	1545	350	260	164

### Performance data

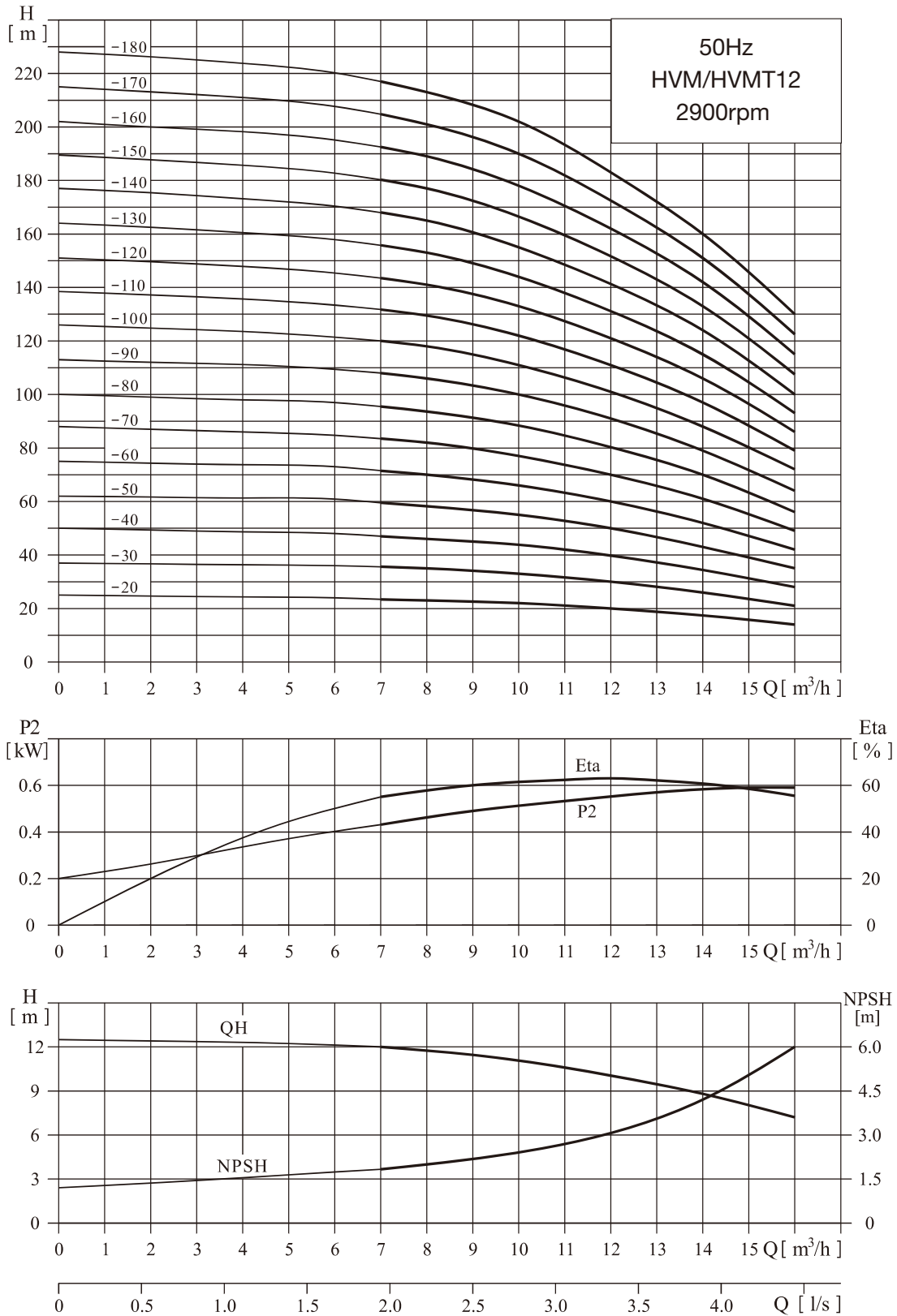
Model	Power		Q (m³/h)	7	8	9	10	11	12	13	14	15	16
	kW	Hp											
HVM(T)12-20	1.5	2	H (m)	23.5	23	22.5	22	21	20	18.5	17	15.5	14
HVM(T)12-30	2.2	3		35.5	35	34	33	31.5	30	28	26	23.5	21
HVM(T)12-40	3	4		47	46	45	44	42	40	37	34	31	28
HVM(T)12-50	3	4		59.5	58	56.5	55	52.5	50	46.5	43	39	35
HVM(T)12-60	4	5.5		71.5	70	68	66	63	60	56	52	47	42
HVM(T)12-70	5.5	7.5		83.5	82	79.5	77	73.5	70	65.5	61	55	49
HVM(T)12-80	5.5	7.5		95.5	94	91	88	84	80	75	70	63	56
HVM(T)12-90	5.5	7.5		108	106	103	100	95.5	91	85	79	71.5	64
HVM(T)12-100	7.5	10		120	118	114.5	111	106	101	94.5	88	80	72
HVM(T)12-120	7.5	10		143.5	141	137	133	127	121	113.5	106	96	86
HVM(T)12-140	11	15		168	165	160	155	148	141	132.5	124	112	100
HVM(T)12-160	11	15		192.5	189	183.5	178	170	162	152	142	128.5	115
HVM(T)12-180	11	15		217	213	207.5	202	192.5	183	171.5	160	145	130

HVMT12-140~12-180 No oval flange pump.

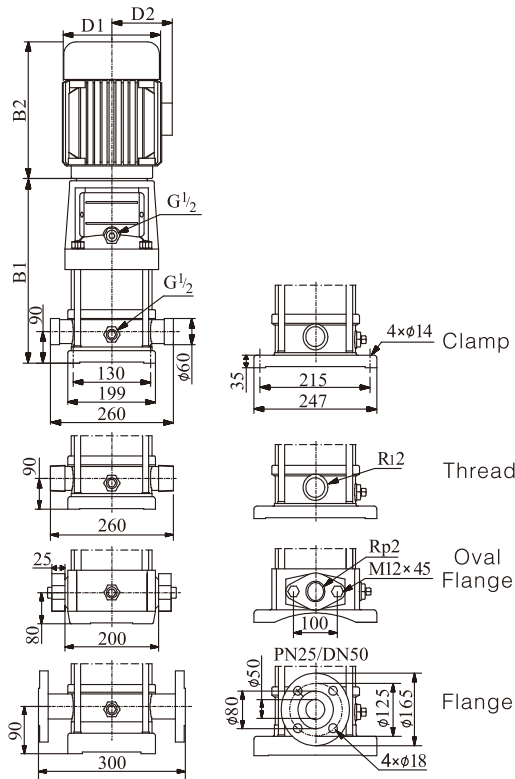
The appearance dimensions of Single Phase motor and Explosion-proof motor changed, reach us for details.



**Performance cruve**



### Installation dimensions and weight



Model	Dimension ( mm )					Weight (kg)
	B1	B2	B1+B2	D1	D2	
HVM(T)15-10	352	280	632	170	142	33
HVM(T)15-20	397	333	730	190	155	42
HVM(T)15-30	452	348	800	197	165	50
HVM(T)15-40	497	382	879	230	185	59
HVM(T)15-50	542	382	924	230	185	60
HVM(T)15-60	607	435	1042	260	210	77
HVM(T)15-70	652	435	1087	260	210	78
HVM(T)15-80	697	435	1132	260	210	86
HVM(T)15-90	742	435	1177	260	210	87
HVM(T)15-100	875	580	1455	350	260	160
HVM(T)15-120	965	580	1545	350	260	161
HVM(T)15-140	1055	580	1635	350	260	162
HVM(T)15-170	1190	580	1770	350	260	179

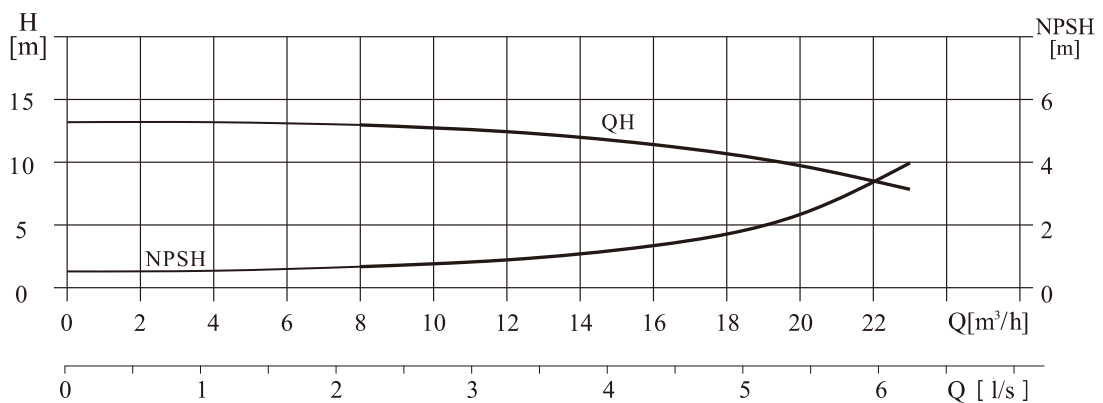
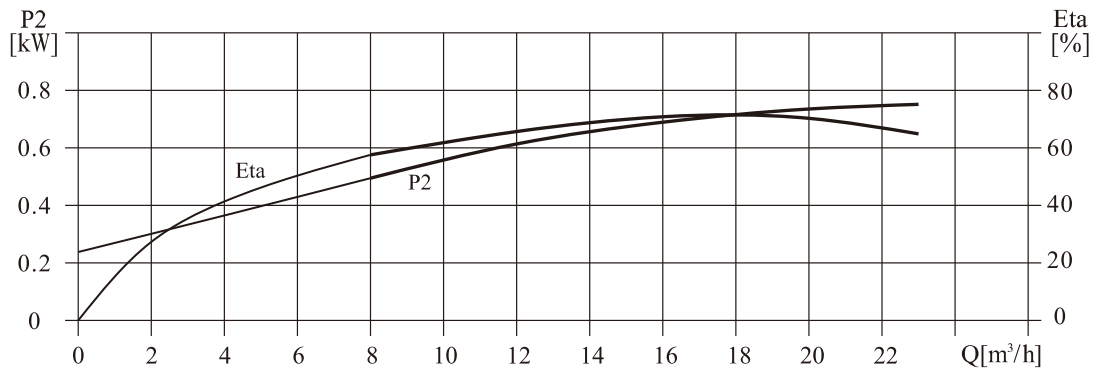
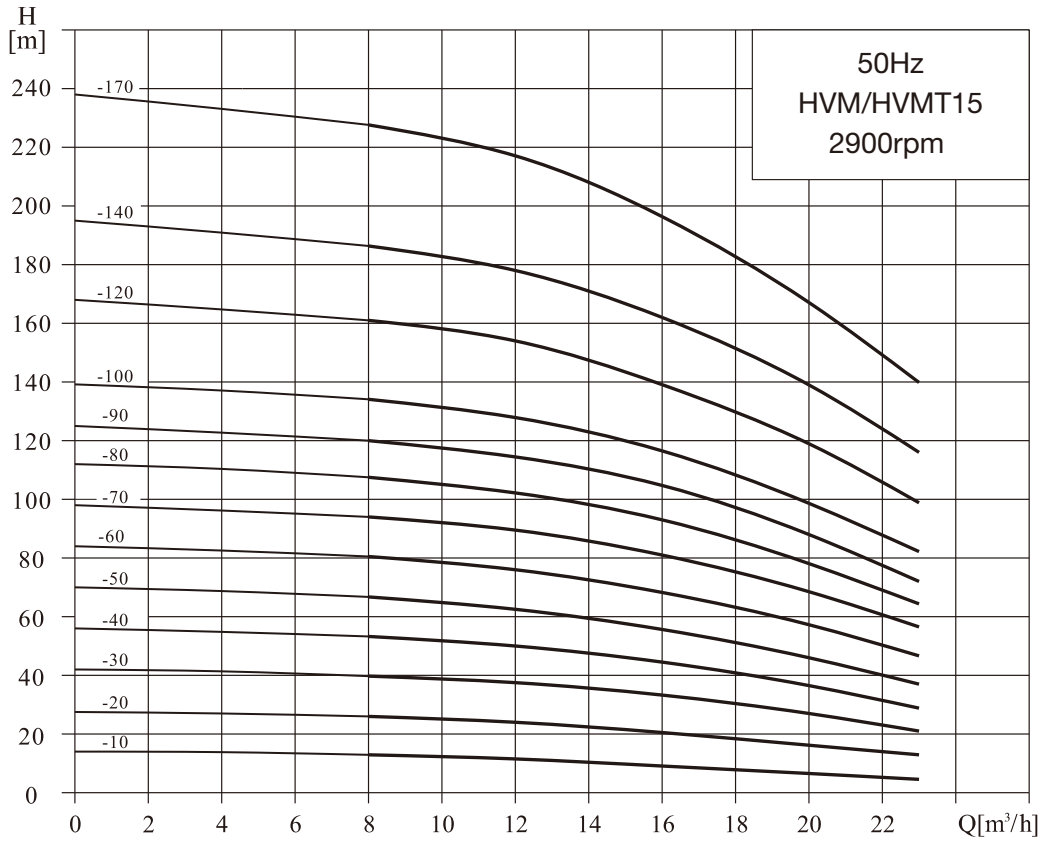
### Performance data

Model	Power		Q (m³/h)	H (m)										
	kW	Hp		8	10	12	14	15	16	18	20	23		
HVM(T)15-10	1.1	1.5	H (m)	13	12	11.5	10.5	10	9	7.5	6	4.5		
HVM(T)15-20	2.2	3		26	25	24	23	22	20.5	18	16	13		
HVM(T)15-30	3.0	4		39.5	38.5	37.5	35.5	34.5	33.5	30.5	27	21		
HVM(T)15-40	4.0	5.5		53	51.5	50	47.5	46	44.5	41	36.5	29		
HVM(T)15-50	4.0	5.5		67	64.5	62.5	60	58	55.5	52	46	37		
HVM(T)15-60	5.5	7.5		80.5	78	76	73	70.5	68	63.5	57	46.5		
HVM(T)15-70	5.5	7.5		94	92	89.5	86	83.5	81	75.5	68.5	56.5		
HVM(T)15-80	7.5	10		107.5	106	102.5	98.5	96	93	86.5	78	64.5		
HVM(T)15-90	7.5	10		120	118	114.5	110	107	105	97	88	72		
HVM(T)15-100	11	15		134	132	128	123	120	116.5	108.5	98.5	82.5		
HVM(T)15-120	11	15		161	158	154	148	144	139	130	119	99		
HVM(T)15-140	11	15		186	183	178	172	167	162	152	139	116		
HVM(T)15-170	15	20		227	224	217	210	203	196	185	167	140		

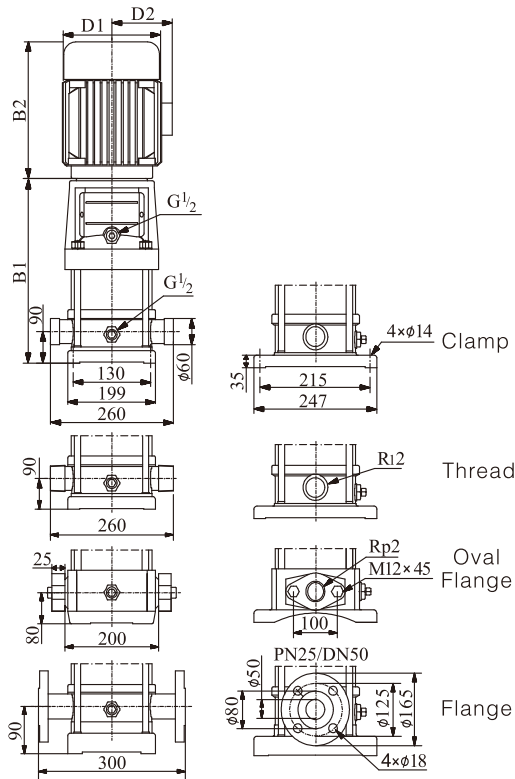
HVMT15-120~15-170 No oval flange pump.

The appearance dimensions of Single Phase motor and Explosion-proof motor changed, reach us for details.

Performance cruve



### Installation dimensions and weight



Model	Dimension ( mm )					Weight (kg)
	B1	B2	B1+B2	D1	D2	
HVM(T)16-20	397	333	730	190	155	42
HVM(T)16-30	452	348	800	197	165	50
HVM(T)16-40	497	382	879	230	188	59
HVM(T)16-50	562	435	997	260	208	76
HVM(T)16-60	607	435	1042	260	208	77
HVM(T)16-70	652	435	1087	260	208	84
HVM(T)16-80	697	435	1132	260	208	86
HVM(T)16-100	875	580	1455	350	260	158
HVM(T)16-120	965	580	1545	350	260	161
HVM(T)16-140	1055	580	1635	350	260	174
HVM(T)16-160	1145	580	1725	350	260	178

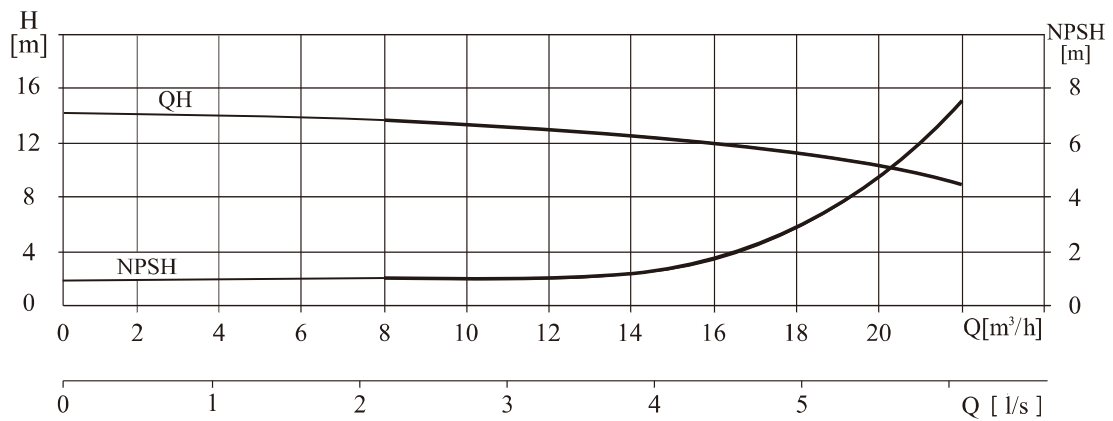
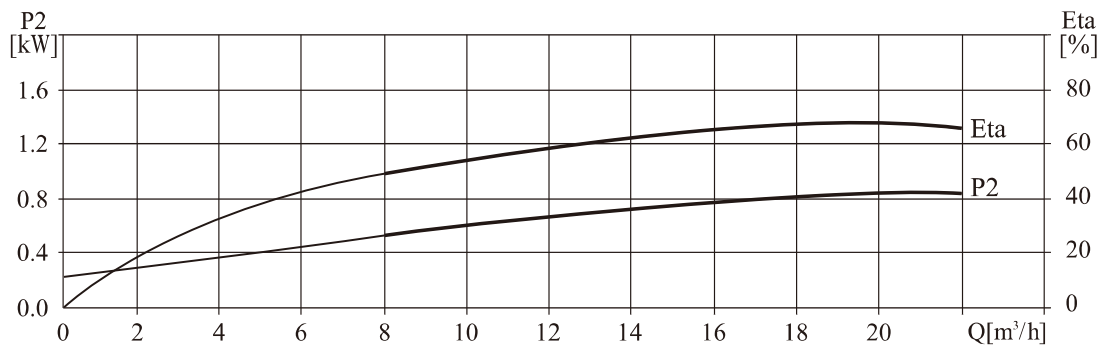
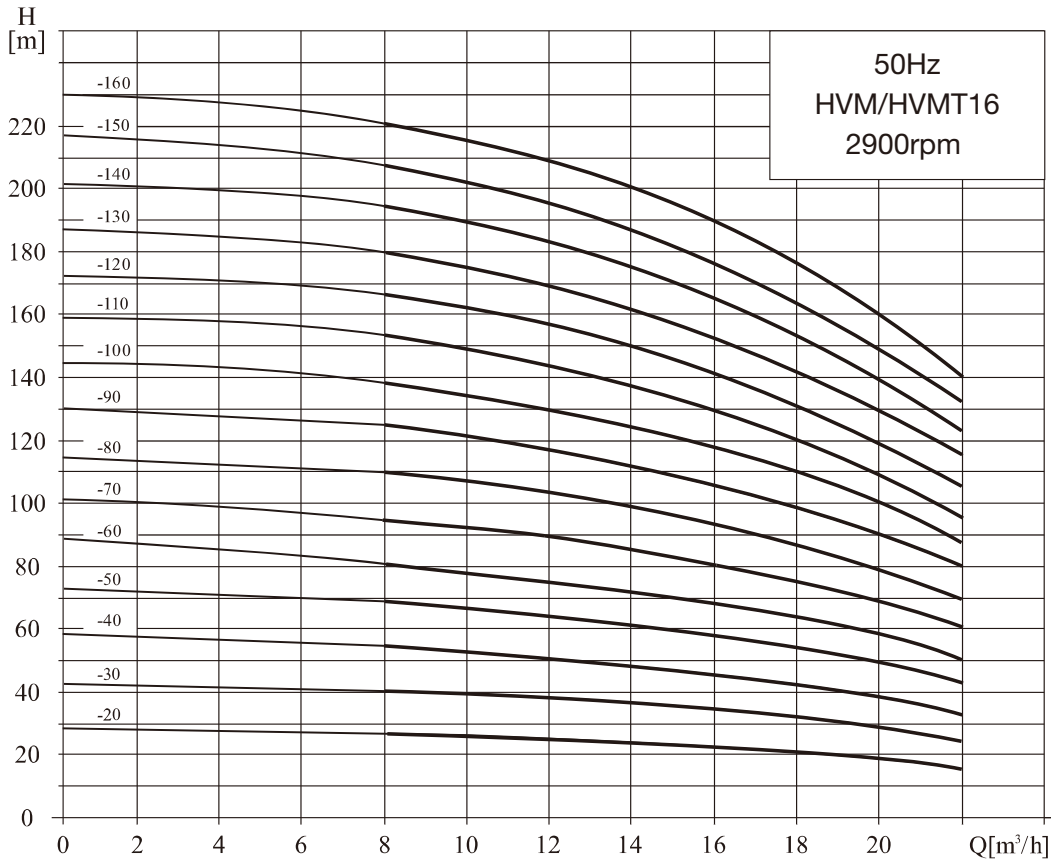
### Performance data

Model	Power		Q (m³/h)	8	10	12	14	16	18	20	22
	kW	Hp									
HVM(T)16-20	2.2	3	H (m)	27	26	25	24	22	21	19	16
HVM(T)16-30	3.0	4		41	40	38	37	34	32	29	25
HVM(T)16-40	4.0	5.5		54	53	52	49	46	43	38	34
HVM(T)16-50	5.5	7.5		68	67	65	62	58	54	48	43
HVM(T)16-60	5.5	7.5		82	80	78	74	70	64	58	52
HVM(T)16-70	7.5	10		96	95	91	87	82	76	68	61
HVM(T)16-80	7.5	10		110	108	104	99	94	86	77	70
HVM(T)16-100	11	15		138	136	131	125	118	109	97	87
HVM(T)16-120	11	15		166	162	157	150	141	130	116	105
HVM(T)16-140	15	20		194	190	184	175	166	152	136	122
HVM(T)16-160	15	20		222	217	210	200	189	174	156	140

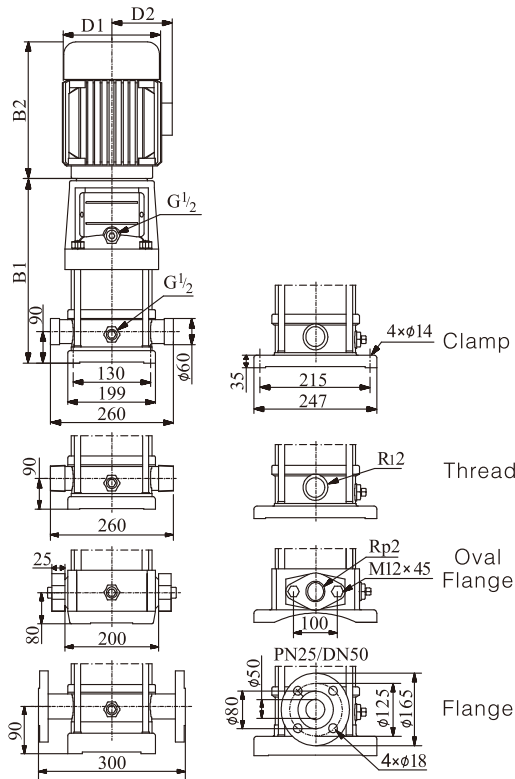
HVMT16-120~16-160 No oval flange pump.

The appearance dimensions of Single Phase motor and Explosion-proof motor changed, reach us for details.

**Performance cruve**



### Installation dimensions and weight



Model	Dimension ( mm )					Weight (kg)
	B1	B2	B1+B2	D1	D2	
HVM(T)20-10	387	280	667	170	142	33
HVM(T)20-20	397	333	730	190	155	42
HVM(T)20-30	452	382	834	230	188	58
HVM(T)20-40	517	435	952	260	208	74
HVM(T)20-50	562	435	997	260	208	76
HVM(T)20-60	607	435	1042	260	208	82
HVM(T)20-70	652	435	1087	260	208	84
HVM(T)20-80	785	580	1365	350	260	153
HVM(T)20-100	875	580	1455	350	260	157
HVM(T)20-120	965	580	1545	350	260	170
HVM(T)20-140	1055	580	1635	350	260	172
HVM(T)20-170	1190	610	1800	350	260	195

### Performance data

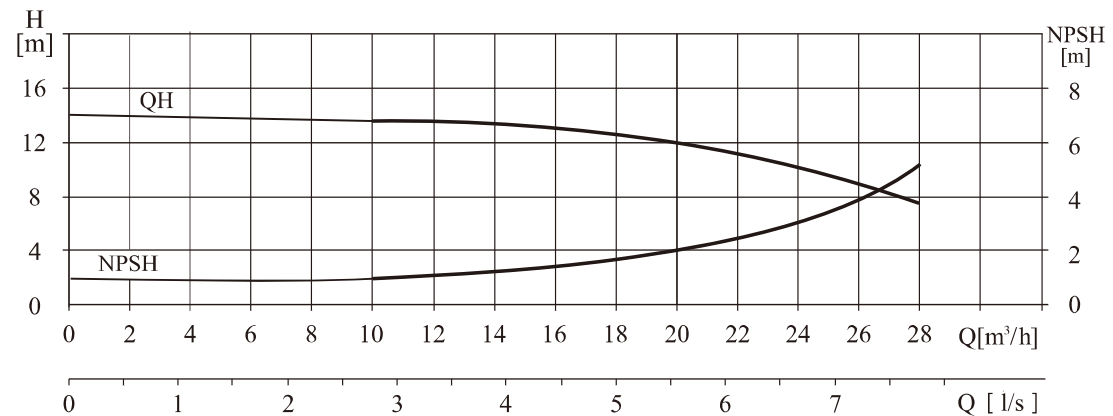
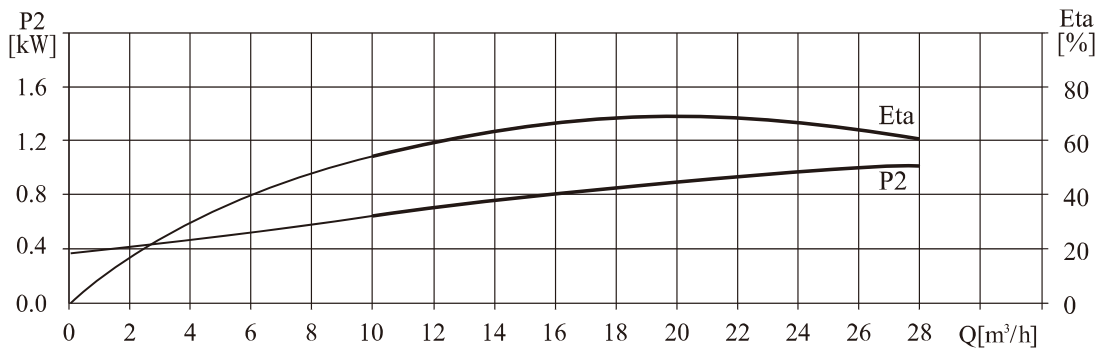
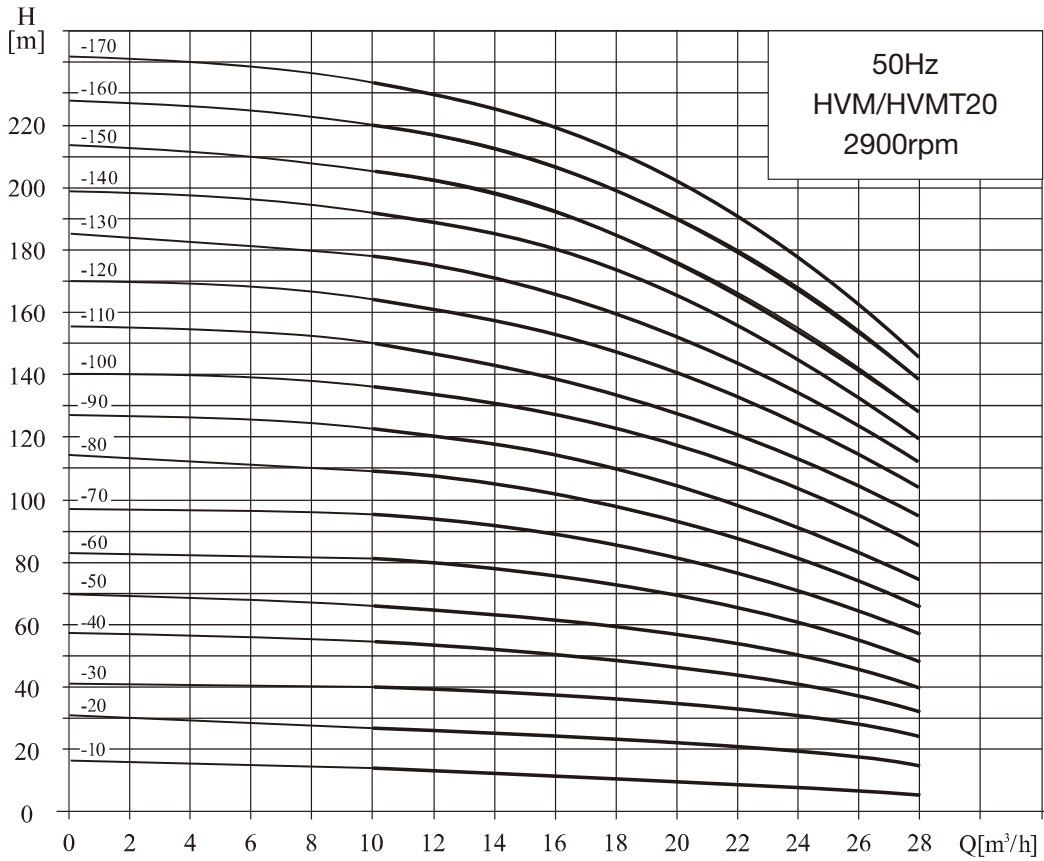
Model	Power		Q (m³/h)	H (m)									
	kW	Hp		10	12	14	16	18	20	22	24	26	28
HVM(T)20-10	1.1	1.5	H (m)	13.5	13	12.5	12	11	10	9	8	7	6
HVM(T)20-20	2.2	3		27	26.5	26	25	24	23	22	20	18	15
HVM(T)20-30	4.0	5.5		40	39.5	39	38	37	35	33	30	27	24
HVM(T)20-40	5.5	7.5		54	53	52	51	49	47	44	41	37	33
HVM(T)20-50	5.5	7.5		67	66	64	62	60	58	55	50	45	40
HVM(T)20-60	7.5	10		81	79	77	75	73	70	66	61	55	49
HVM(T)20-70	7.5	10		95	93	91	89	86	82	77	71	65	58
HVM(T)20-80	11	15		109	107	105	102	99	94	89	82	75	67
HVM(T)20-100	11	15		136	134	131	128	124	118	111	103	95	85
HVM(T)20-120	15	20		164	162	158	154	149	142	133	124	114	102
HVM(T)20-140	15	20		192	189	185	180	174	166	156	145	133	119
HVM(T)20-170	18.5	25		234	230	225	219	212	202	190	177	162	145

HVMT20-120~20-170 No oval flange pump.

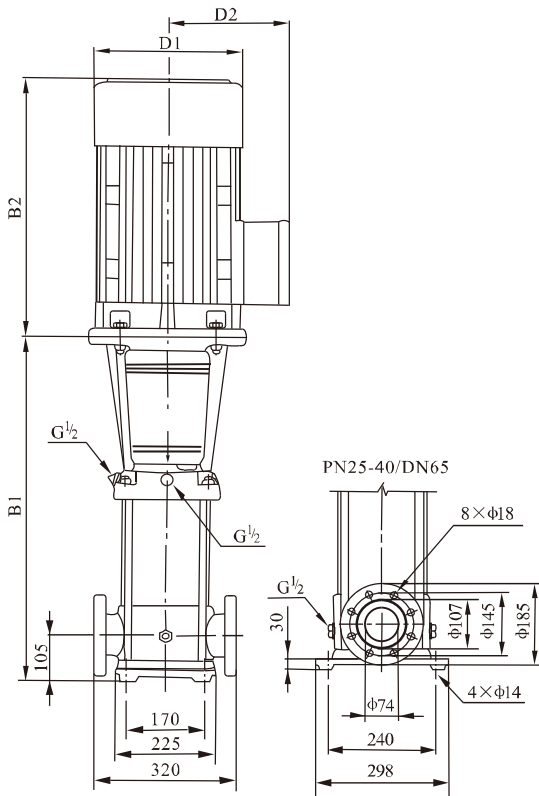
The appearance dimensions of Single Phase motor and Explosion-proof motor changed, reach us for details.



**Performance cruve**



### Installation dimensions and weight



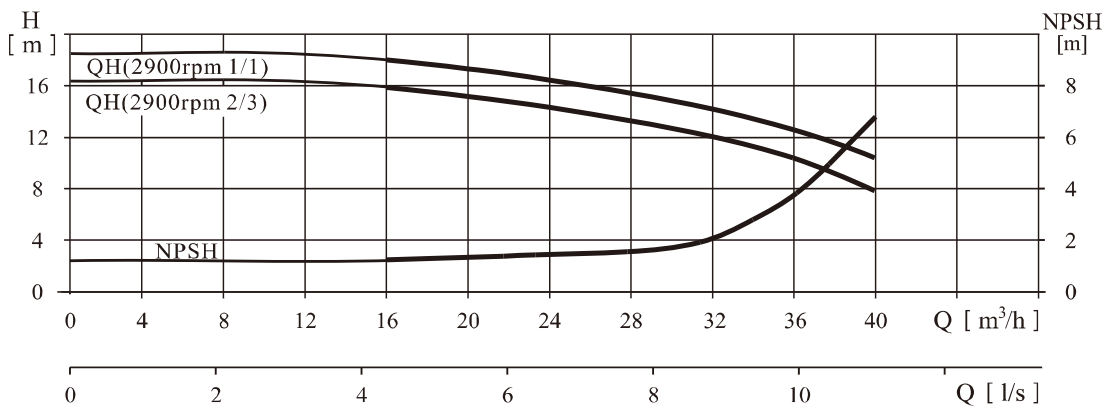
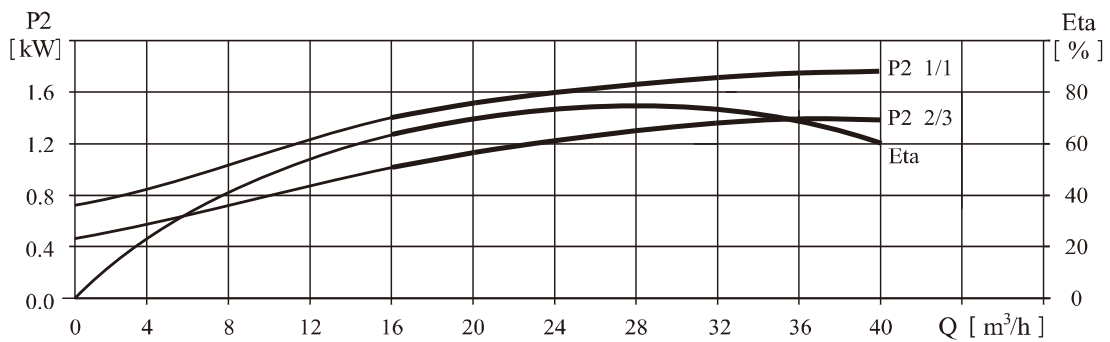
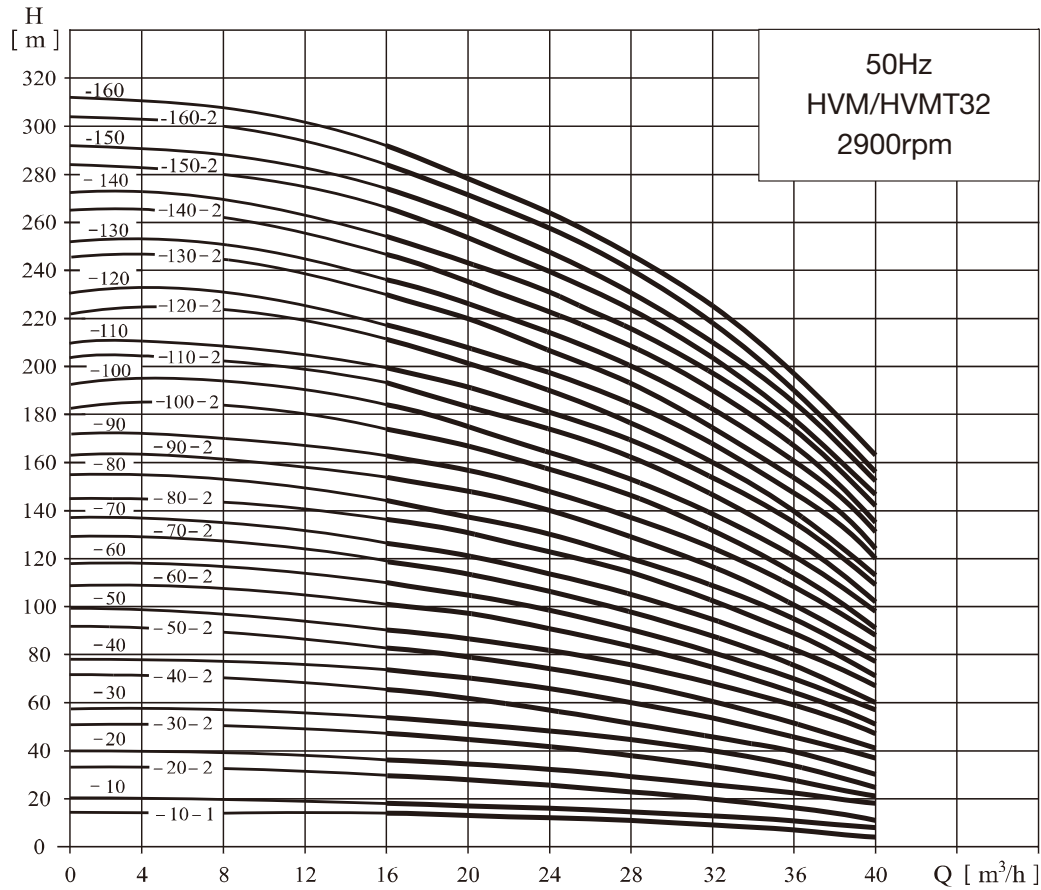
Model	Dimension ( mm )					Weight (kg)
	B1	B2	B1+B2	D1	D2	
HVM(T)32-10-1/32-10	505	333	838	190	155	67
HVM(T)32-20-2/32-20	575	370	945	230	185	83
HVM(T)32-30-2/32-30	645	435	1080	260	208	100
HVM(T)32-40-2/32-40	715	435	1150	260	208	109
HVM(T)32-50-2/32-50	890	580	1470	350	260	181
HVM(T)32-60-2/32-60	960	580	1540	350	260	185
HVM(T)32-70-2/32-70	1030	580	1610	350	260	199
HVM(T)32-80-2/32-80	1100	580	1680	350	260	203
HVM(T)32-90-2/32-90	1170	610	1780	350	260	222
HVM(T)32-100-2/32-100	1240	610	1850	350	260	227
HVM(T)32-110-2/32-110	1310	645	1955	360	285	272
HVM(T)32-120-2/32-120	1380	645	2025	360	285	276
HVM(T)32-130-2/32-130	1450	705	2155	400	310	337
HVM(T)32-140-2/32-140	1520	705	2225	400	310	341
HVM(T)32-150-2/32-150	1590	705	2295	400	310	345
HVM(T)32-160-2/32-160	1660	705	2365	400	310	350

### Performance data

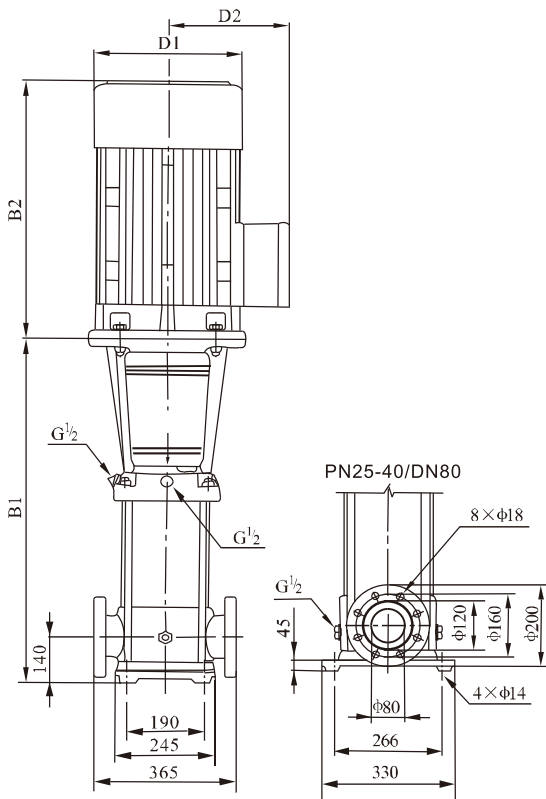
Model	Power		Q (m³/h)	H (m)								Model	Power		Q (m³/h)	H (m)							
	kW	Hp		16	20	24	28	32	36	40	kW		Hp	16		20	24	28	32	36	40		
HVM(T)32-10-1	1.5	2	H (m)	14	13	12	11	9	7	4	HVM(T)32-90-2	18.5	25	H (m)	154	148	140	129	117	102	82		
HVM(T)32-10	2.2	3		18	17	15	14	13	11	8	HVM(T)32-90	18.5	25		162	156	147	136	124	109	88		
HVM(T)32-20-2	3.0	4		29	28	26	23	20	16	11	HVM(T)32-100-2	18.5	25		175	166	157	146	131	115	91		
HVM(T)32-20	4.0	5.5		36	34	32	29	27	23	18	HVM(T)32-100	18.5	25		182	173	164	152	138	122	98		
HVM(T)32-30-2	5.5	7.5		47	44	41	38	33	28	21	HVM(T)32-110-2	22	30		193	184	173	164	146	128	102		
HVM(T)32-30	5.5	7.5		54	51	48	44	40	35	27	HVM(T)32-110	22	30		200	191	180	168	153	135	109		
HVM(T)32-40-2	7.5	10		65	62	58	53	46	40	30	HVM(T)32-120-2	22	30		211	201	189	178	160	140	113		
HVM(T)32-40	7.5	10		72	69	65	59	53	47	37	HVM(T)32-120	22	30		218	208	196	184	167	147	120		
HVM(T)32-50-2	11	15		83	79	74	68	60	52	41	HVM(T)32-130-2	30	40		230	218	206	193	174	153	124		
HVM(T)32-50	11	15		90	86	81	74	67	59	47	HVM(T)32-130	30	40		237	225	213	200	181	160	131		
HVM(T)32-60-2	11	15		101	97	90	83	74	65	51	HVM(T)32-140-2	30	40		247	235	222	210	189	165	135		
HVM(T)32-60	11	15		108	104	97	90	81	72	57	HVM(T)32-140	30	40		255	242	229	216	196	172	142		
HVM(T)32-70-2	15	20		119	114	107	98	88	78	60	HVM(T)32-150-2	30	40		266	253	239	224	203	178	145		
HVM(T)32-70	15	20		126	121	113	105	95	85	67	HVM(T)32-150	30	40		274	260	246	231	210	185	152		
HVM(T)32-80-2	15	20		136	131	123	114	102	90	71	HVM(T)32-160-2	30	40		284	270	255	240	218	190	156		
HVM(T)32-80	15	20		144	138	130	120	109	97	77	HVM(T)32-160	30	40		292	277	262	246	225	197	163		

The appearance dimensions of Single Phase motor and Explosion-proof motor changed, reach us for details.

**Performance cruve**



### Installation dimensions and weight



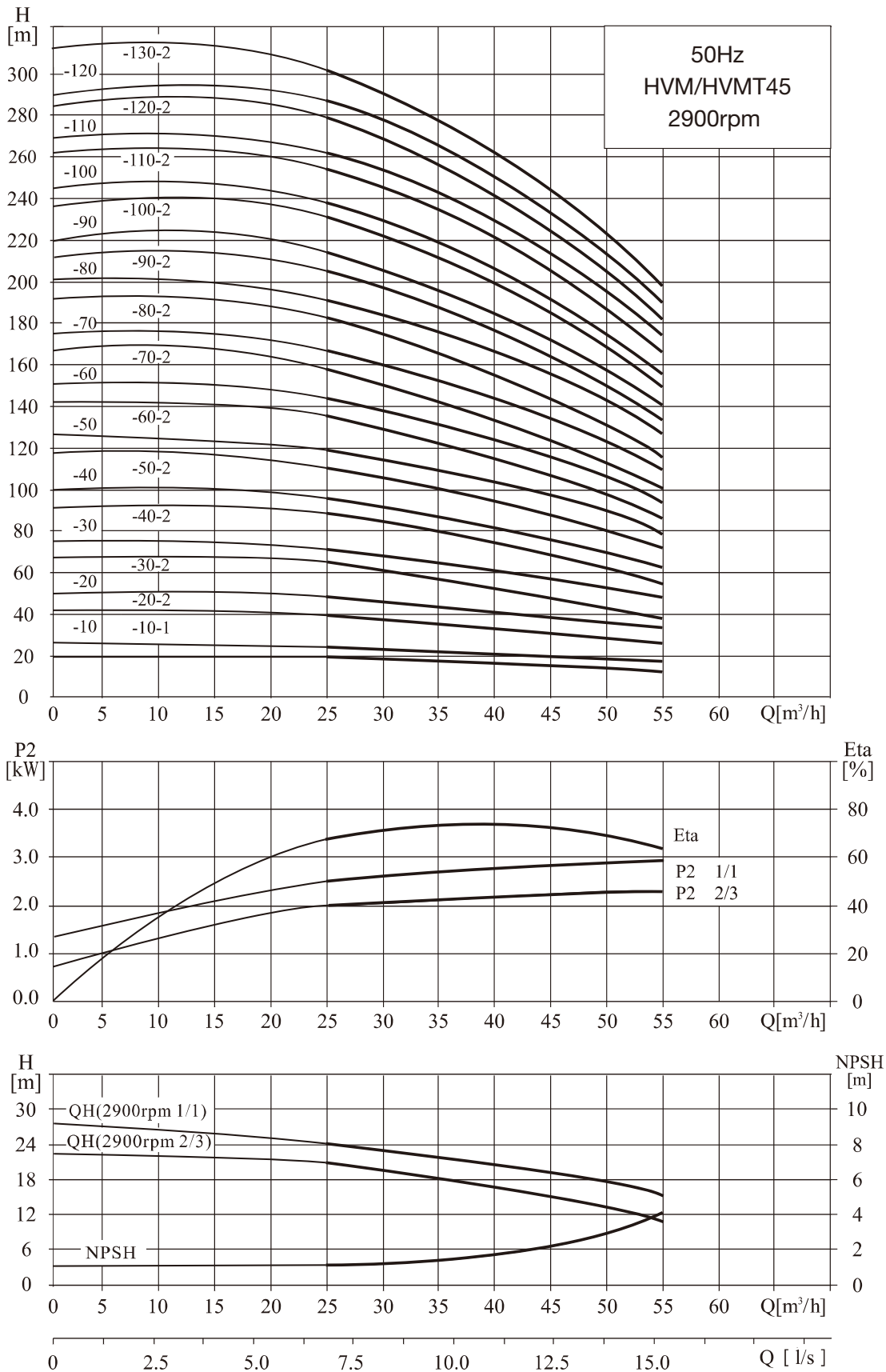
Model	Dimension (mm)					Weight (kg)
	B1	B2	B1+B2	D1	D2	
HVM(T)45-10-1	561	370	931	230	185	89
HVM(T)45-10						
HVM(T)45-20-2	641	435	1076	260	208	108
HVM(T)45-20						
HVM(T)45-30-2	826	580	1406	350	260	183
HVM(T)45-30						
HVM(T)45-40-2	906	580	1486	350	260	197
HVM(T)45-40						
HVM(T)45-50-2	986	610	1596	350	260	221
HVM(T)45-50						
HVM(T)45-60-2	1066	645	1711	360	285	261
HVM(T)45-60						
HVM(T)45-70-2	1146	705	1851	400	310	320
HVM(T)45-70						
HVM(T)45-80-2	1226	705	1931	400	310	324
HVM(T)45-80						
HVM(T)45-90-2	1306	705	2011	400	310	328/352
HVM(T)45-90						
HVM(T)45-100-2	1386	705	2091	400	310	355
HVM(T)45-100						
HVM(T)45-110-2	1466	740	2206	450	345	426
HVM(T)45-110						
HVM(T)45-120-2	1546	740	2286	450	345	432
HVM(T)45-120						
HVM(T)45-130-2	1626	740	2366	450	345	438

### Performance data

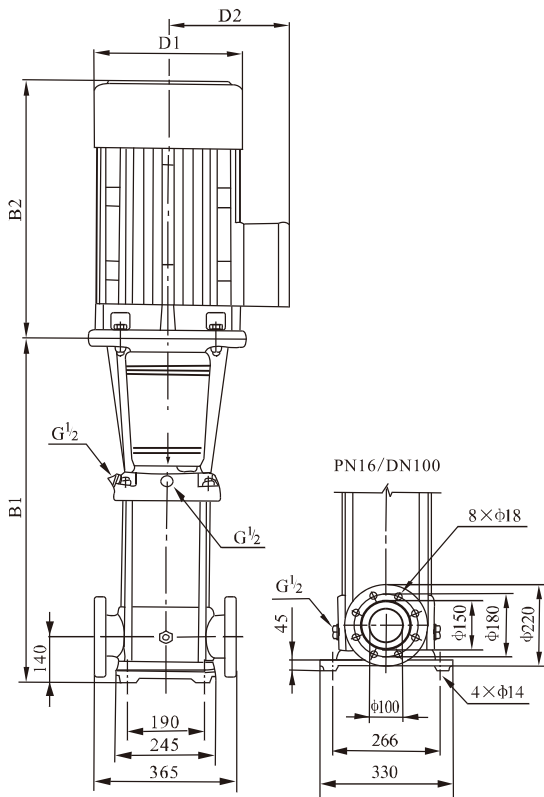
Model	Power		Q (m³/h)	25	30	35	40	45	50	55
	kW	Hp								
HVM(T)45-10-1	3.0	4	H (m)	20	19	18	17	15	13	11
HVM(T)45-10	4.0	5.5		24	23	22	21	19	18	16
HVM(T)45-20-2	5.5	7.5		40	38	36	33	30	27	23
HVM(T)45-20	7.5	10		48	46	44	42	39	35	31
HVM(T)45-30-2	11	15		63	61	58	54	50	44	38
HVM(T)45-30	11	15		71	69	66	63	58	53	47
HVM(T)45-40-2	15	20		87	84	80	75	69	62	54
HVM(T)45-40	15	20		95	92	88	84	78	71	62
HVM(T)45-50-2	18.5	25		111	107	102	96	88	80	69
HVM(T)45-50	18.5	25		119	115	110	105	97	88	78
HVM(T)45-60-2	22	30		135	130	124	117	108	97	85
HVM(T)45-60	22	30		143	138	132	125	116	106	93
HVM(T)45-70-2	30	40		158	152	146	138	127	115	100
HVM(T)45-70	30	40		166	161	154	146	135	124	109
HVM(T)45-80-2	30	40		182	175	168	159	146	133	116
HVM(T)45-80	30	40		190	184	176	167	154	141	124
HVM(T)45-90-2	30	40		205	198	190	180	166	150	132
HVM(T)45-90	37	50		214	207	198	188	174	159	140
HVM(T)45-100-2	37	50		230	221	212	200	185	168	147
HVM(T)45-100	37	50		238	230	220	209	193	177	155
HVM(T)45-110-2	45	60	255	246	236	223	206	188	165	
HVM(T)45-110	45	60	263	255	244	232	214	196	173	
HVM(T)45-120-2	45	60	280	270	259	245	226	206	181	
HVM(T)45-120	45	60	289	280	268	255	236	216	190	
HVM(T)45-130-2	45	60	305	294	282	267	247	225	198	

The appearance dimensions of Single Phase motor and Explosion-proof motor changed, reach us for details.

**Performance cruve**



### Installation dimensions and weight



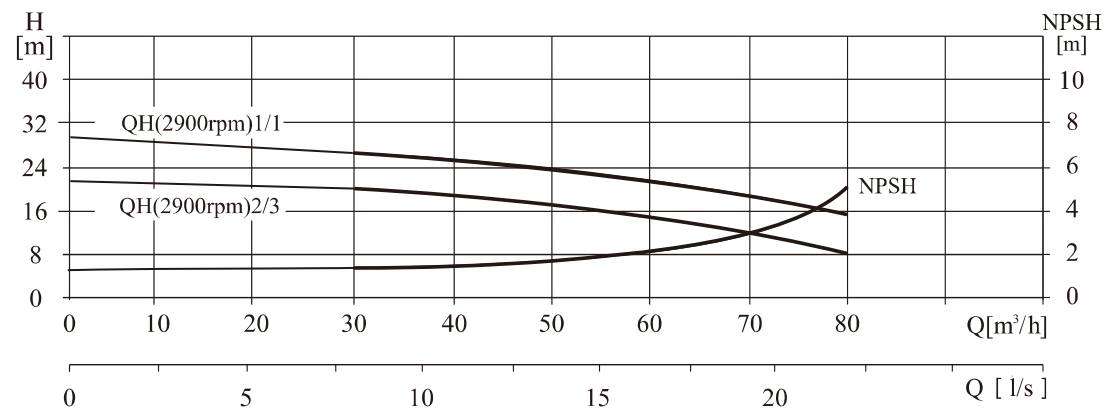
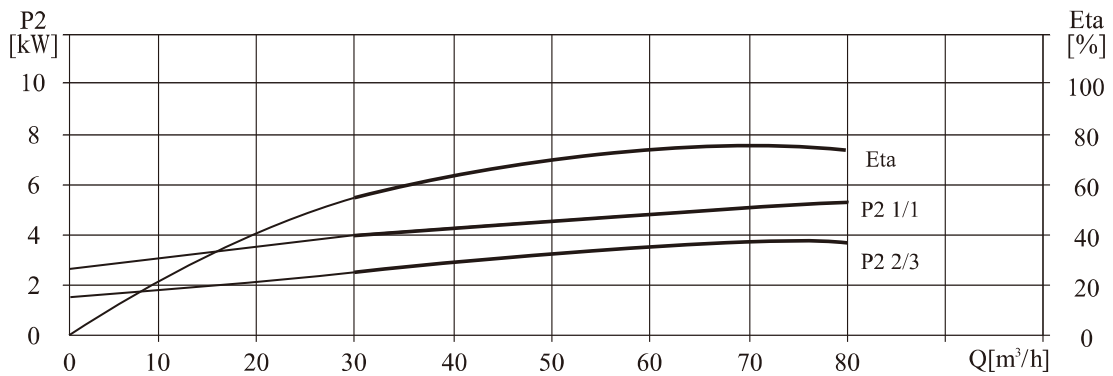
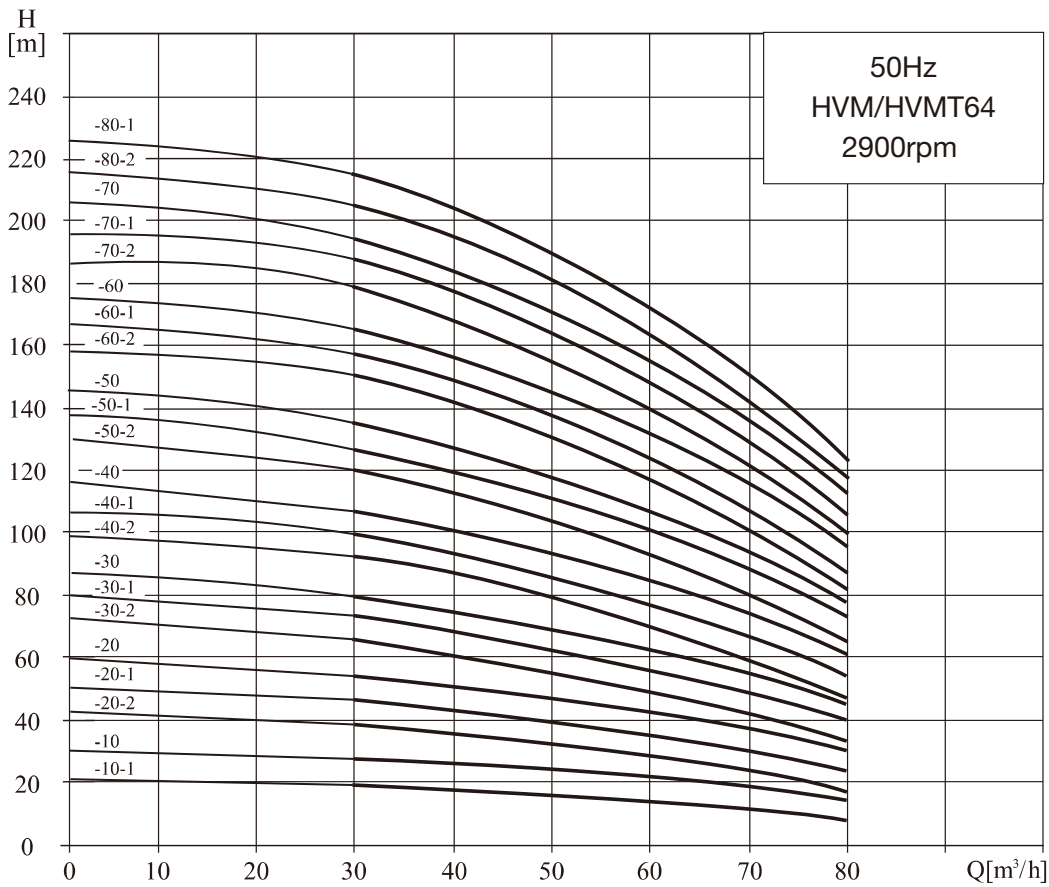
Model	Dimension ( mm )					Weight (kg)
	B1	B2	B1+B2	D1	D2	
HVM(T)64-10-1	561	370	931	230	188	93
HVM(T)64-10	561	435	996	260	208	105
HVM(T)64-20-2	644	435	1079	260	208	110
HVM(T)64-20-1	754	580	1334	350	260	182
HVM(T)64-20	754	580	1334	350	260	182
HVM(T)64-30-2	836	580	1416	350	260	197
HVM(T)64-30-1	836	580	1416	350	260	197
HVM(T)64-30	836	610	1446	330	260	221
HVM(T)64-40-2	919	610	1529	350	260	225
HVM(T)64-40-1	919	645	1564	360	285	258
HVM(T)64-40	919	645	1564	360	285	258
HVM(T)64-50-2	1001	705	1706	400	310	317
HVM(T)64-50-1	1001	705	1706	400	310	321
HVM(T)64-50	1001	705	1706	400	310	321
HVM(T)64-60-2	1084	705	1789	400	310	325
HVM(T)64-60-1	1084	705	1789	400	310	349
HVM(T)64-60	1084	705	1789	400	310	349
HVM(T)64-70-2	1166	705	1871	400	310	353
HVM(T)64-70-1	1166	705	1871	400	310	353
HVM(T)64-70	1166	740	1906	460	340	420
HVM(T)64-80-2	1248	740	1988	460	340	424
HVM(T)64-80-1	1248	740	1988	460	340	424

### Performance data

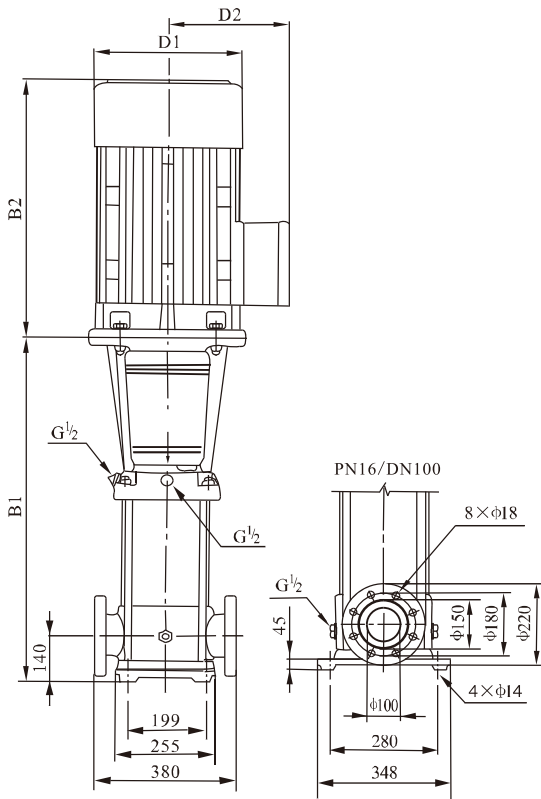
Model	Power		Q (m³/h)	30	40	50	60	64	70	80
	kW	Hp								
HVM(T)64-10-1	4.0	5.5	H (m)	19	18	16	14	13	11	8
HVM(T)64-10	5.5	7.5		27	25	23	21	20	18	15
HVM(T)64-20-2	7.5	10		39	36	33	29	27	23	17
HVM(T)64-20-1	11	15		46	44	40	36	34	30	24
HVM(T)64-20	11	15		53	51	47	43	41	37	30
HVM(T)64-30-2	15	20		66	62	56	50	47	41	32
HVM(T)64-30-1	15	20		73	69	63	57	54	48	39
HVM(T)64-30	18.5	25		80	76	70	64	61	55	46
HVM(T)64-40-2	18.5	25		92	87	80	71	67	60	47
HVM(T)64-40-1	22	30		100	94	87	78	74	67	54
HVM(T)64-40	22	30		107	101	94	85	81	74	61
HVM(T)64-50-2	30	40		121	114	105	95	89	80	64
HVM(T)64-50-1	30	40		128	121	112	102	96	87	71
HVM(T)64-50	30	40		136	129	119	109	103	94	78
HVM(T)64-60-2	30	40		150	142	131	118	111	101	81
HVM(T)64-60-1	37	50		157	149	138	125	118	108	88
HVM(T)64-60	37	50		164	156	145	132	125	115	95
HVM(T)64-70-2	37	50		179	169	156	141	133	121	99
HVM(T)64-70-1	37	50		186	176	163	148	141	128	106
HVM(T)64-70	45	60		193	183	170	155	148	135	112
HVM(T)64-80-2	45	60	207	196	182	164	156	142	116	
HVM(T)64-80-1	45	60	215	203	189	171	163	149	123	

The appearance dimensions of Single Phase motor and Explosion-proof motor series changed, reach us for details.  
 PN25-40/DN100 Standard Flange can be provided as required for HVM64 series.

**Performance cruve**



### Installation dimensions and weight



Model	Dimension ( mm )					Weight (kg)
	B1	B2	B1+B2	D1	D2	
HVM(T)90-10-1	571	435	1006	260	208	105
HVM(T)90-10	571	435	1006	260	208	110
HVM(T)90-20-2	773	580	1353	350	260	181
HVM(T)90-20	773	580	1353	350	260	192
HVM(T)90-30-2	865	610	1475	350	260	215
HVM(T)90-30	865	645	1510	360	285	252
HVM(T)90-40-2	957	705	1662	400	310	312
HVM(T)90-40	957	705	1662	400	310	312
HVM(T)90-50-2	1049	705	1754	400	310	336
HVM(T)90-50	1049	705	1754	400	310	336
HVM(T)90-60-2	1141	740	1881	460	340	407
HVM(T)90-60	1141	740	1881	460	340	407

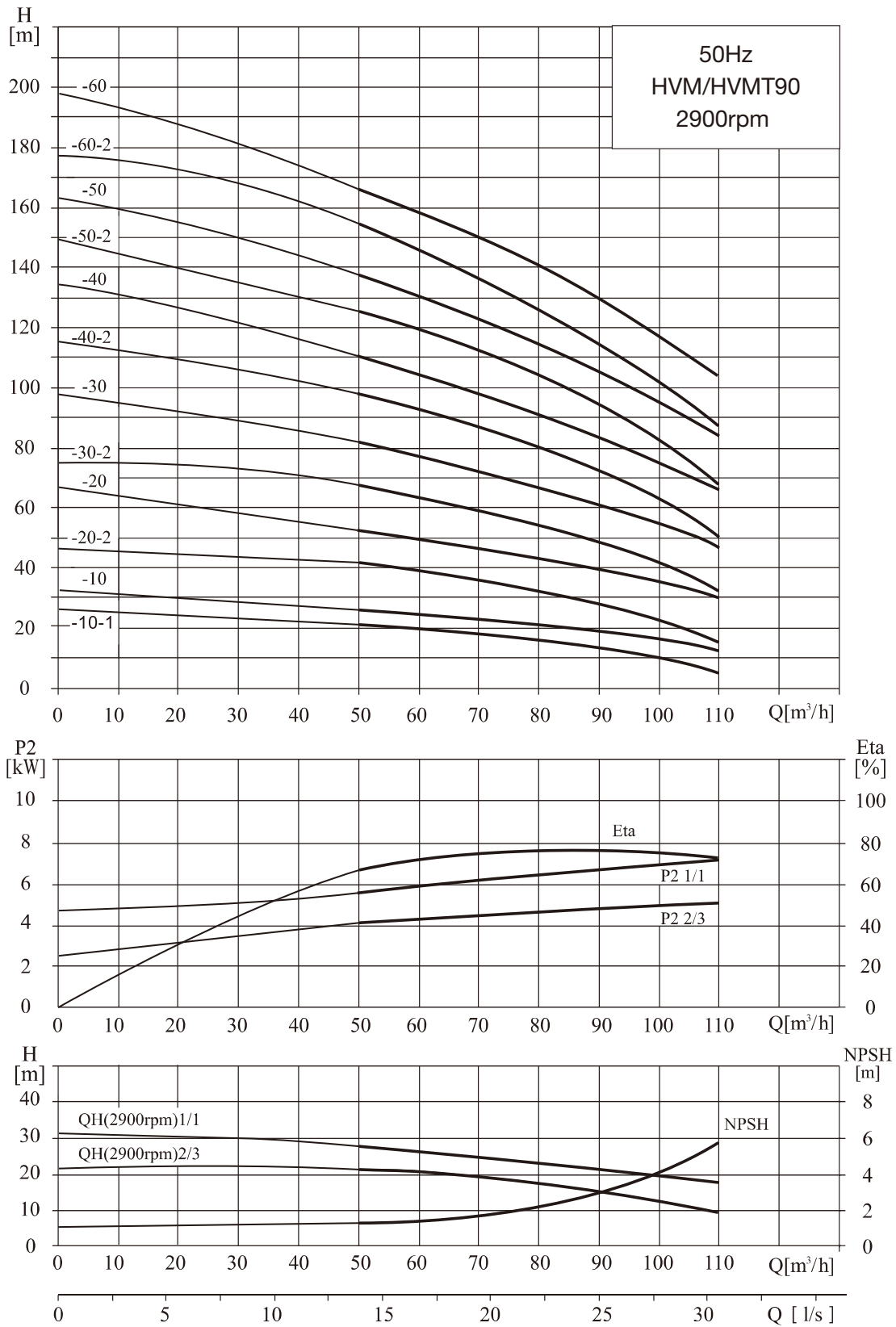
### Performance data

Model	Power		Q (m <sup>3</sup> /h)	50	60	70	80	90	100	110
	kW	Hp								
HVM(T)90-10-1	5.5	7.5	H (m)	22	19	17	16	13	10	6
HVM(T)90-10	7.5	10		25	24	22	21	19	16	12
HVM(T)90-20-2	11	15		41	39	36	32	28	22	15
HVM(T)90-20	15	20		53	50	47	44	40	36	30
HVM(T)90-30-2	18.5	25		68	65	60	55	49	41	32
HVM(T)90-30	22	30		81	77	72	67	62	55	48
HVM(T)90-40-2	30	40		98	93	87	80	72	62	50
HVM(T)90-40	30	40		110	105	100	92	84	76	66
HVM(T)90-50-2	37	50		126	120	113	104	93	81	68
HVM(T)90-50	37	50		139	131	124	115	106	94	83
HVM(T)90-60-2	45	60		155	148	139	129	117	102	86
HVM(T)90-60	45	60		168	160	150	141	130	117	103

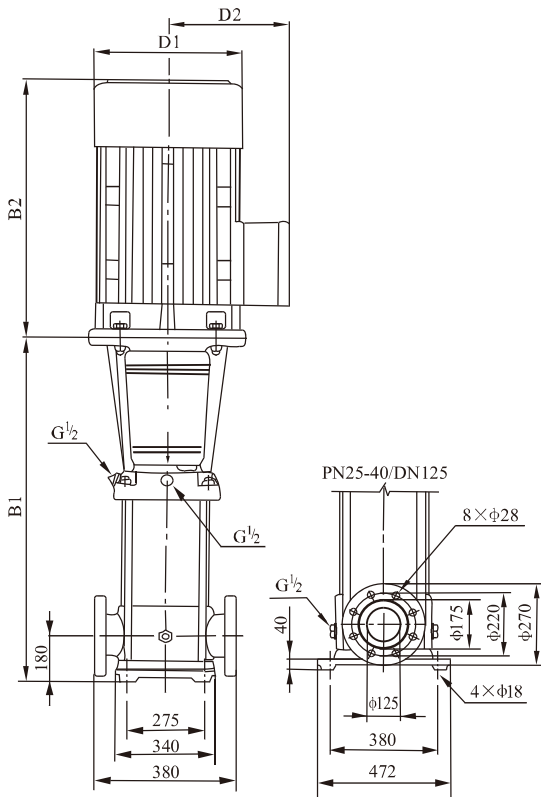
The appearance dimensions of Single Phase motor and Explosion-proof motor changed, reach us for details.  
 PN25-40/DN100 Standard Flange can be provided as required for HVM90 series.



Performance cruve



### Installation dimensions and weight



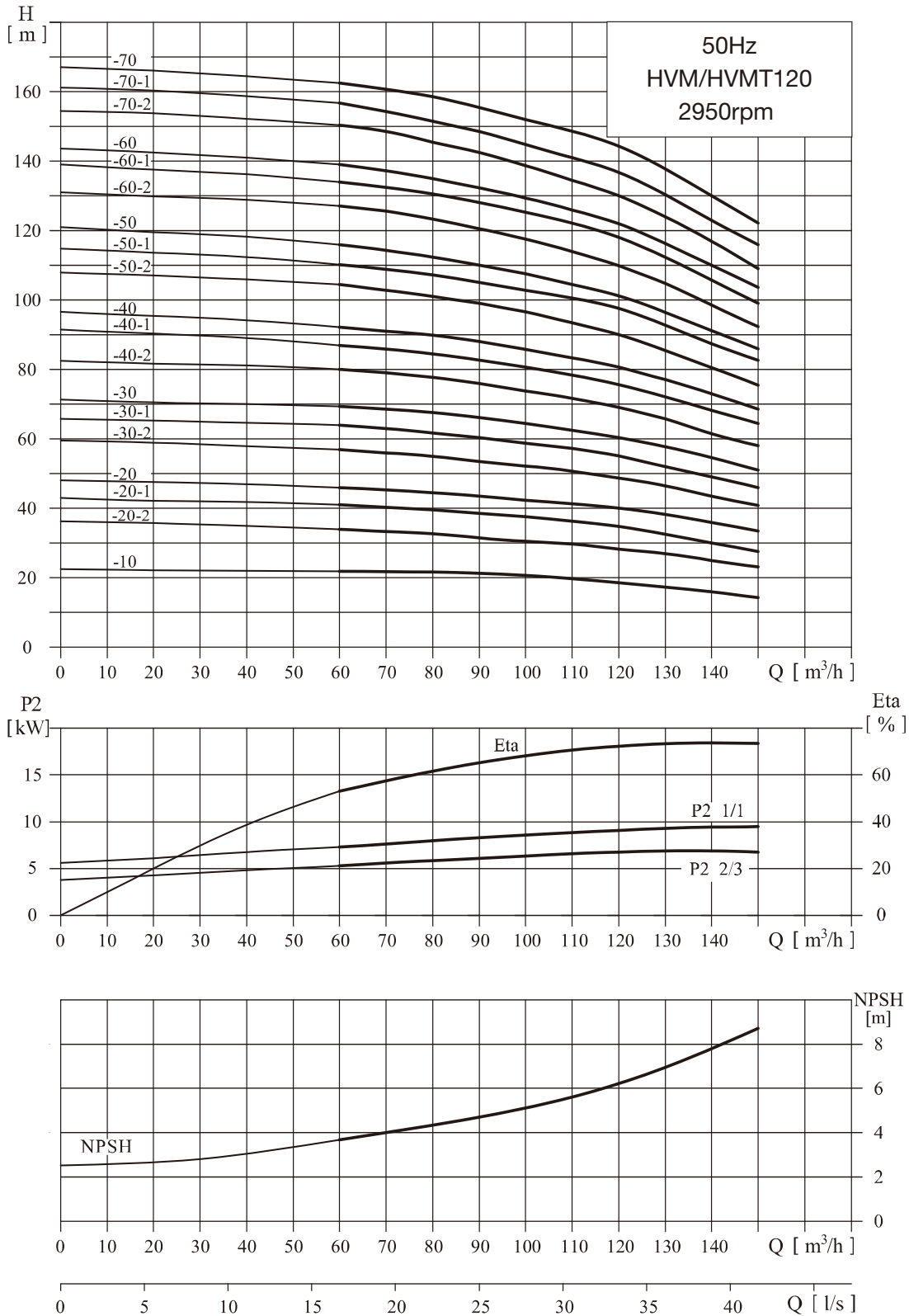
Model	Dimension ( mm )					Weight (kg)
	B1	B2	B1+B2	D1	D2	
HVM(T)120-10	840	580	1420	350	260	230
HVM(T)120-20-2	1000	580	1580	350	260	245
HVM(T)120-20-1	1000	610	1610	350	260	250
HVM(T)120-20	1000	645	1645	360	285	285
HVM(T)120-30-2	1160	705	1865	400	310	358
HVM(T)120-30-1	1160	705	1865	400	310	360
HVM(T)120-30	1160	705	1865	400	310	360
HVM(T)120-40-2	1320	705	2025	400	310	400
HVM(T)120-40-1	1320	705	2025	400	310	400
HVM(T)120-40	1320	740	2060	460	340	460
HVM(T)120-50-2	1480	740	2220	460	340	470
HVM(T)120-50-1	1480	740	2220	460	340	470
HVM(T)120-50	1510	810	2320	550	370	575
HVM(T)120-60-2	1670	810	2480	550	370	585
HVM(T)120-60-1	1670	810	2480	550	370	585
HVM(T)120-60	1670	870	2540	580	410	705
HVM(T)120-70-2	1830	870	2700	580	410	713
HVM(T)120-70-1	1830	870	2700	580	410	715
HVM(T)120-70	1830	870	2700	580	410	715

### Performance data

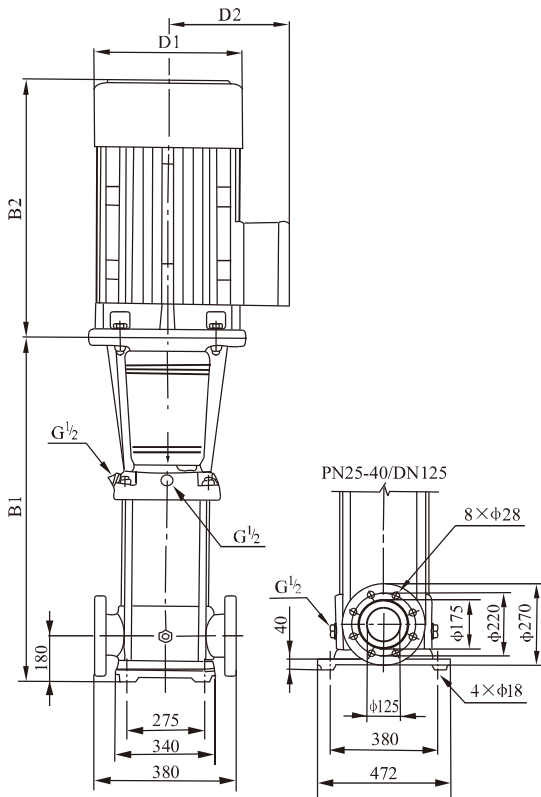
Model	Power		Q (m <sup>3</sup> /h)	H (m)											
	kW	Hp		60	70	80	90	100	110	120	130	140	150		
HVM(T)120-10	11	15	H (m)	22	21.8	21.6	21	20.5	19.5	18.5	17	16	15		
HVM(T)120-20-2	15	20		34	33.6	33	31	30.2	30	28.5	27	25	24		
HVM(T)120-20-1	18.5	25		41	40	39.5	38.5	37	36.5	34.5	32.5	30	27.5		
HVM(T)120-20	22	30		46	45	44.5	43.5	42.4	41	40	38	36	33.5		
HVM(T)120-30-2	30	40		57	56	55	53.5	52	51	49	46.5	43.5	41		
HVM(T)120-30-1	30	40		64	63	62	60	58.5	57.5	55.5	52	49	46		
HVM(T)120-30	30	40		69.5	68.5	67.5	66	64.4	62.5	61	57.5	54.5	51		
HVM(T)120-40-2	37	50		80.5	79	78	76	73.5	72	69	66	61.5	58		
HVM(T)120-40-1	37	50		87	86	84.5	82	80	78	76	72	68	64.5		
HVM(T)120-40	45	60		92.5	91	90	88	85.5	83	81	77	73	68.5		
HVM(T)120-50-2	45	60		104.5	103	101	99	96	93	90	85.5	80.5	75.5		
HVM(T)120-50-1	45	60		110.5	109	107.5	105	102	100	97	92	86.5	83		
HVM(T)120-50	55	75		115.5	114	113	110	107.5	104.5	101.5	96	91	86		
HVM(T)120-60-2	55	75		128	125.5	123	121	117.3	113.5	110	104.5	98.5	92.5		
HVM(T)120-60-1	55	75		134	132	130.5	127	124	121	118	111	105	100		
HVM(T)120-60	75	100		139	137	135	132	128.8	126	123	116	110	104		
HVM(T)120-70-2	75	100		151	148	145.5	143	138.6	134	130	123.5	116.5	109		
HVM(T)120-70-1	75	100		156.5	154	152	148.5	144.5	141	137.5	130	123	116.5		
HVM(T)120-70	75	100		162.5	160.5	158.5	155	151	148	145	137	129	123		

The appearance dimensions of Single Phase motor and Explosion-proof motor changed, reach us for details.

**Performance cruve**



### Installation dimensions and weight



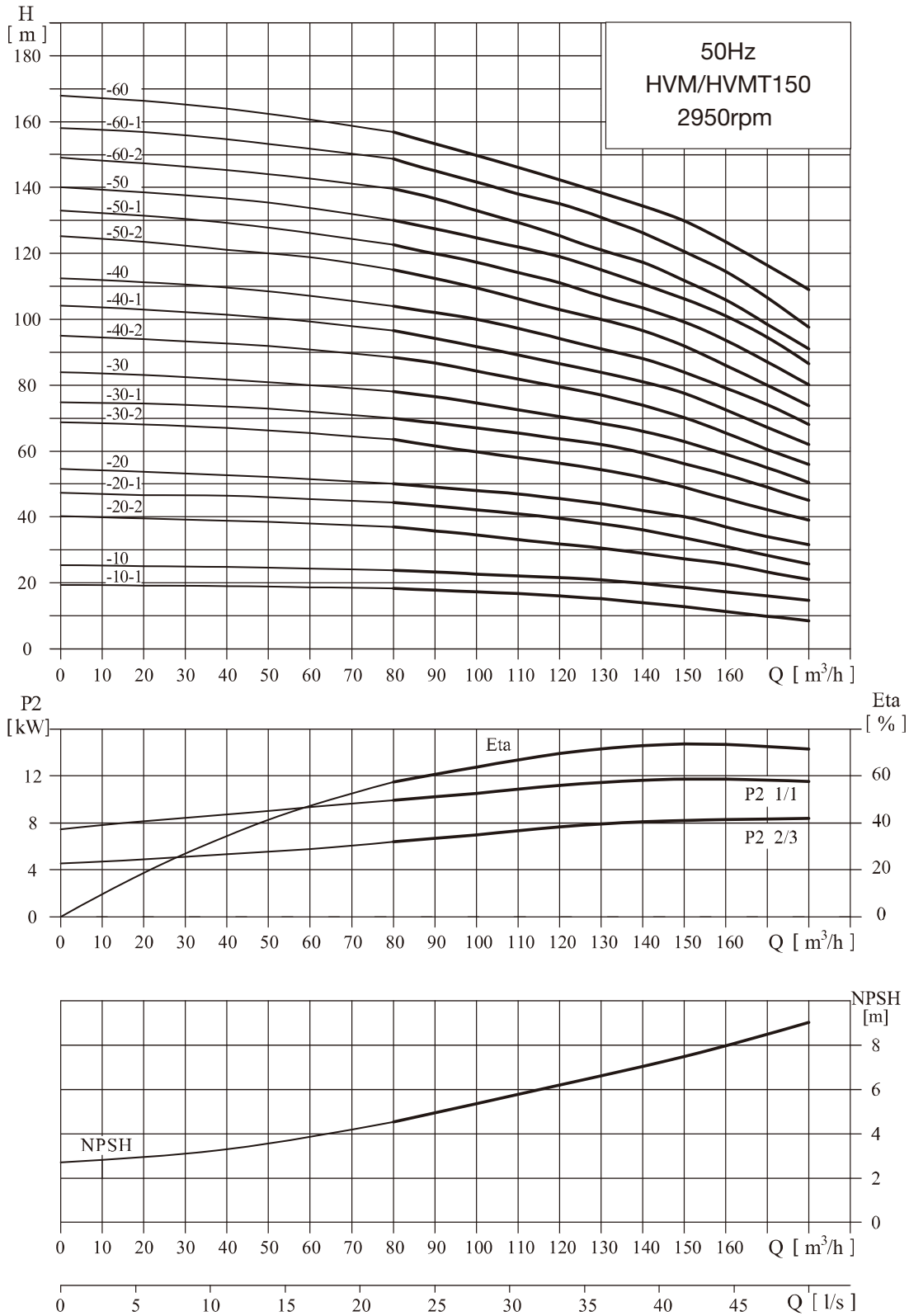
Model	Dimension ( mm )					Weight (kg)
	B1	B2	B1+B2	D1	D2	
HVM(T)150-10-1	840	580	1420	350	260	235
HVM(T)150-10	840	580	1420	350	260	235
HVM(T)150-20-2	1000	610	1610	350	260	250
HVM(T)150-20-1	1000	645	1645	360	285	295
HVM(T)150-20	1000	705	1705	400	310	350
HVM(T)150-30-2	1160	705	1865	400	310	360
HVM(T)150-30-1	1160	705	1865	400	310	385
HVM(T)150-30	1160	705	1865	400	310	385
HVM(T)150-40-2	1320	740	2060	460	340	460
HVM(T)150-40-1	1320	740	2060	460	340	460
HVM(T)150-40	1350	810	2160	550	370	560
HVM(T)150-50-2	1510	810	2320	550	370	570
HVM(T)150-50-1	1510	870	2380	580	410	690
HVM(T)150-50	1510	870	2380	580	410	690
HVM(T)150-60-2	1670	870	2540	580	410	700
HVM(T)150-60-1	1670	870	2540	580	410	703
HVM(T)150-60	1670	870	2540	580	410	703

### Performance data

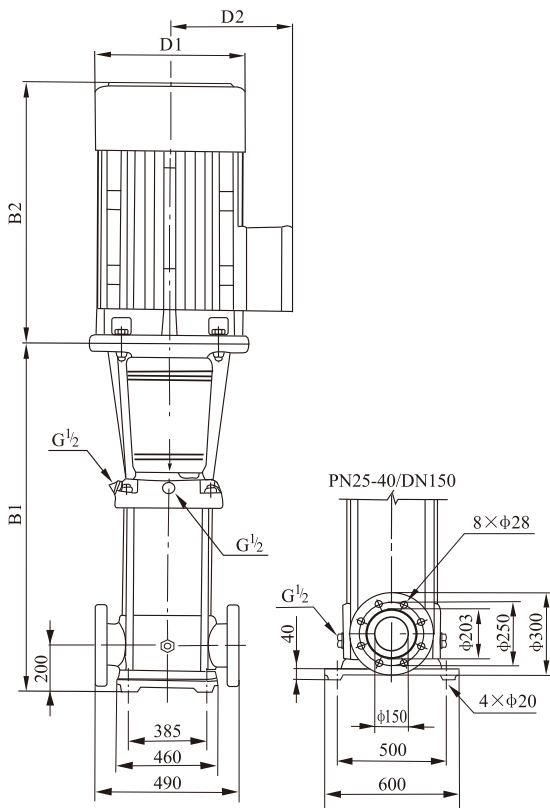
Model	Power		Q (m <sup>3</sup> /h)	H (m)											
	kW	Hp		80	90	100	110	120	130	140	150	160	170	180	
HVM(T)150-10-1	11	15	H (m)	18.3	17.8	17.3	17	16	15	14	12.5	11	10	8.5	
HVM(T)150-10	15	20		24	23	22.5	22	21.5	20.5	20	18.5	17	16	15	
HVM(T)150-20-2	18.5	25		37	35.5	34	33	32	31	29	27.5	26	23	21	
HVM(T)150-20-1	22	30		44.3	43	42	40	39	38.5	37.5	35	33	30	27	
HVM(T)150-20	30	40		50	49	48	47	45.5	44	42	40	37	34	32	
HVM(T)150-30-2	30	40		63.5	61	59	57.5	56	54.5	53	49	45.5	42	39	
HVM(T)150-30-1	37	50		70	68	67	65	63	62	60	56	53	49	45	
HVM(T)150-30	37	50		78	76.5	75	73	70.5	68	66	63	59	55	50.5	
HVM(T)150-40-2	45	60		89	87	84	81.5	79	77	74.5	70.5	65.5	60	56	
HVM(T)150-40-1	45	60		96.5	94	91.5	89	86.5	84	81.5	77	72.5	67	62	
HVM(T)150-40	55	75		104	102	100	97	95	91	88	84	79.5	74	68	
HVM(T)150-50-2	55	75		115.5	112	109	106	102.5	100	97	92	86	79	73.5	
HVM(T)150-50-1	75	100		122.5	119.5	117	113.5	111.5	107.5	104.5	99	93.5	87	80	
HVM(T)150-50	75	100		130	127.5	125	121	119	115	111.5	106.5	101	94.5	86.5	
HVM(T)150-60-2	75	100		140	137	133	130	126	121	118	112	106	98	91	
HVM(T)150-60-1	75	100		148.5	145	141.7	137.5	135	131	127	120.5	114.5	106.5	97.5	
HVM(T)150-60	75	100		157	153	149	145	142	139.5	137	130	123.5	116	109	

The appearance dimensions of Single Phase motor and Explosion-proof motor changed, reach us for details.

**Performance cruve**



### Installation dimensions and weight



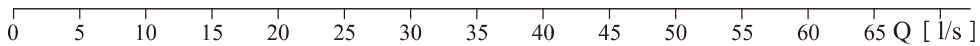
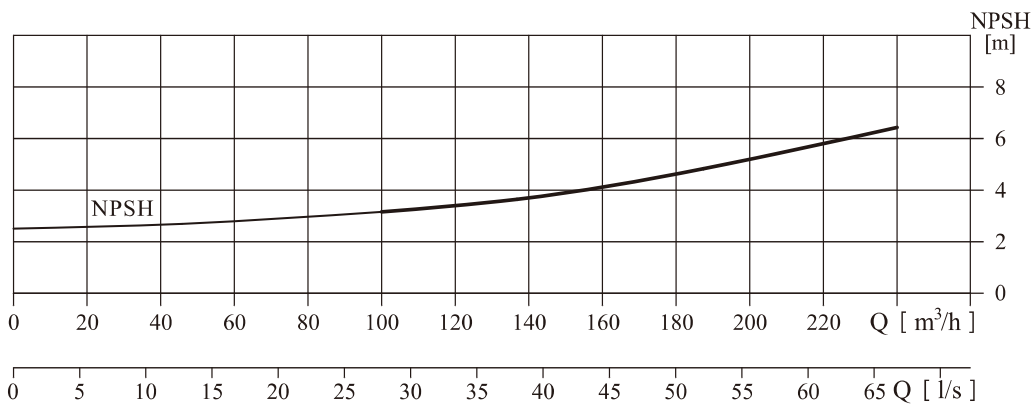
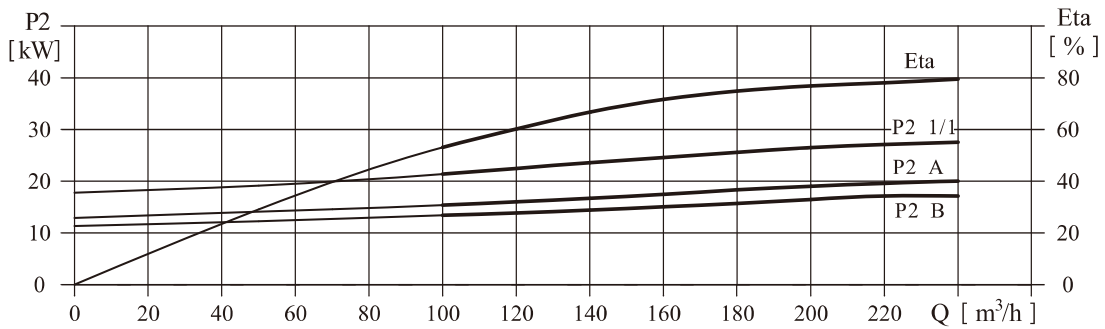
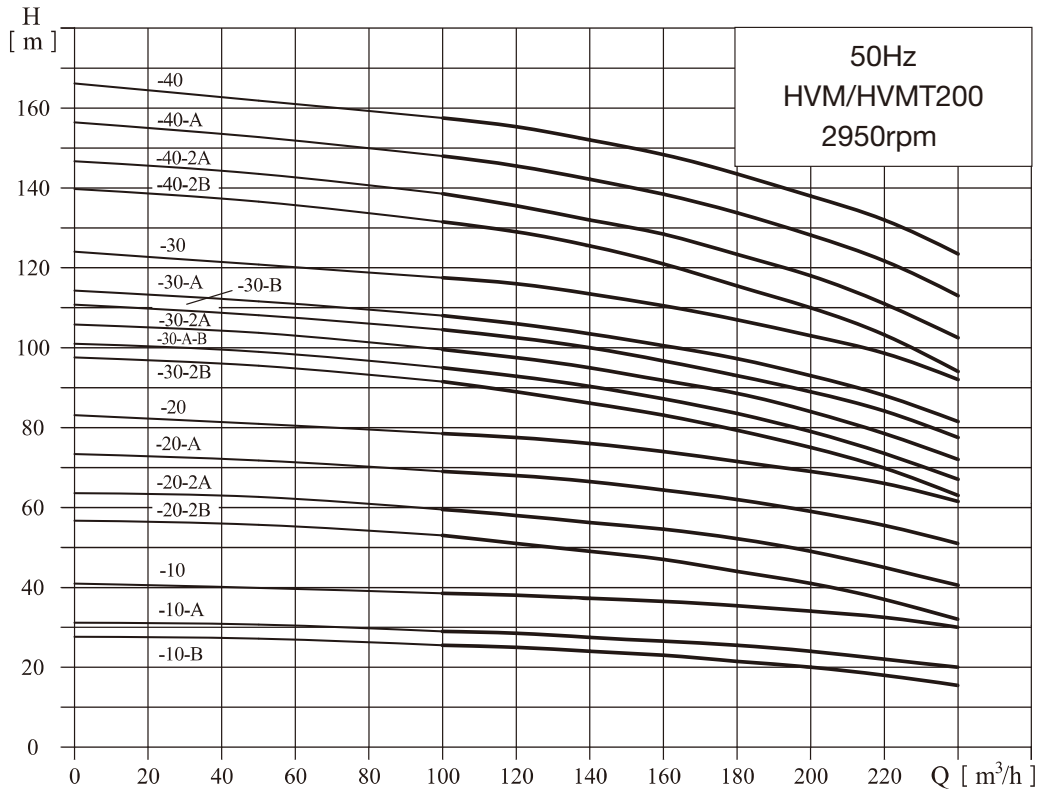
Model	Dimension ( mm )					Weight (kg)
	B1	B2	B1+B2	D1	D2	
HVM(T)200-10-B	907	610	1517	350	260	311
HVM(T)200-10-A	907	645	1552	360	285	347
HVM(T)200-10	907	705	1612	400	310	403
HVM(T)200-20-2B	1101	705	1806	400	310	447
HVM(T)200-20-2A	1101	740	1841	460	340	504
HVM(T)200-20-A	1131	810	1941	550	370	595
HVM(T)200-20	1131	810	1941	550	370	595
HVM(T)200-30-2B	1325	870	2195	580	410	748
HVM(T)200-30-A-B	1325	870	2195	580	410	748
HVM(T)200-30-2A	1325	870	2195	580	410	748
HVM(T)200-30-B	1325	870	2195	580	410	748
HVM(T)200-30-A	1325	870	2195	580	410	748
HVM(T)200-30	1325	920	2245	580	410	816
HVM(T)200-40-2B	1519	920	2439	580	410	830
HVM(T)200-40-2A	1519	1060	2579	660	550	1180
HVM(T)200-40-A	1519	1060	2579	660	550	1180
HVM(T)200-40	1519	1060	2579	660	550	1180

### Performance data

Model	Power		Q (m³/h)	100	120	140	160	180	200	220	240
	kW	Hp									
HVM(T)200-10-B	18.5	25	H (m)	25.5	25	24	23	21.5	20	18	15.5
HVM(T)200-10-A	22	30		29	28.5	27.5	26.5	25.5	24	22	20
HVM(T)200-10	30	40		38.5	38	37.5	36.5	35	34	32.5	30
HVM(T)200-20-2B	37	50		53	51	49	47	44	41	37	32
HVM(T)200-20-2A	45	60		59.5	58	56	54	52.5	49	44.5	40.5
HVM(T)200-20-A	55	75		69	68	66	64	62	59	55.5	51
HVM(T)200-20	55	75		78.5	77.5	76	74	71.5	69	66	61.5
HVM(T)200-30-2B	75	100		91.5	89	86.5	83.5	79	75	70	63
HVM(T)200-30-A-B	75	100		95	93	90	87	83.5	79	73.5	67
HVM(T)200-30-2A	75	100		99.5	97.5	94.5	91.5	89	84	78.5	72
HVM(T)200-30-B	75	100		104.5	102.5	100	97	93	89	84.5	77.5
HVM(T)200-30-A	75	100		108	106	103.5	100.5	97.5	93	88	81.5
HVM(T)200-30	90	120		117.5	116	113.5	110.5	107	103	99	92
HVM(T)200-40-2B	90	120		131.5	129	125.5	121	115.5	110	103.5	94
HVM(T)200-40-2A	110	150		138.5	136	132	128	124	118	111	102.5
HVM(T)200-40-A	110	150		148	145.5	142.5	138	134	128	122	113
HVM(T)200-40	110	150	157.5	155.5	152.5	148	143.5	138	132.5	123.5	

The appearance dimensions of Single Phase motor and Explosion-proof motor changed, reach us for details.

**Performance cruve**







Professionalism · Innovation · Service · Commitment  
HCP PUMP MANUFACTURER CO., LTD.  
[www.hcppump.com](http://www.hcppump.com)



Distributor:

We reserve the right to alter specifications of product at any time without giving prior notice.  
Copyright © 2024 HCP PUMP MANUFACTURER CO., LTD. All rights reserved.

DHVMEN5-2408