

WEKSLER Adjust Angle Thermometer, Mercury Free, Standard



STANDARD FEATURES

- Mercury Free.
- Molded Valox® – V-shaped black case for ranges up to and including 300°F
- Die cast black aluminum V-shaped case for ranges above 300°F.
- Glass front excludes dust and dirt.
- White aluminum scale with bold black graduations and figures.
- Mercury Free blue liquid in glass with magnifying lens for easy readability.
- Accuracy is $\pm 1\%$ of full scale.
- Easy adjustment permits case and stem to be rotated 360°.
- 3½", 6", 9" & 12" stems available.
- 1¼"-18" NEF swivel nut.

OPTIONS

- Red reading liquid in glass fill available.
- Plastic window available for both 7" and 9" scale.
- Aluminum case available for low ranges (300°F and below).
- Lower connect (straight form) and back connect (back angle form) available.

RANGES

FAHRENHEIT	MINOR GRADS	RANGE CODE
-40/110F	2°	F1
0/120F	1°	F2
0/160F	2°	F3
30/180F	2°	F4
30/240F	2°	F5
30/300F	5°	F6
50/400F ⁽¹⁾	5°	F7
50/550F ⁽¹⁾	5°	F8
50/750F ^(1,2)	5°	F9
CELCIUS		
-20/45C	1°	C1
0/50C	1°	C2
0/100C	1°	C3
0/160C ⁽¹⁾	2°	C4
0/200C ⁽¹⁾	2°	C5
0/300C ^(1,2)	5°	C6
DUAL SCALE		
-40/110F & -40/43C	2°	D1
0/120F & -15/48C	1°	D2
0/160F & -15/70C	2°	D3
30/180F & 0/82C	2°	D4
30/240F & 0/115C	2°	D5
30/300F & 0/150C	5°	D6
50/400F & 10/200C ⁽¹⁾	5°	D7
50/550F & 10/290C ⁽¹⁾	5°	D8
50/750F & 10/400C ⁽¹⁾	5°	D9

(1) Must be supplied with optional aluminum case.



See page 5 for general dimensions.

How to Order

EXAMPLE: **A** **9** **3** **5** **A** **F** **5** LIST OPTIONS

PRODUCT TYPE

A = Adjust Angle Thermometer

SCALE SIZE

7 = 7" Scale
9 = 9" Scale

STEM LENGTH

35 = 3½" Stem
60 = 6" Stem
90 = 9" Stem
12 = 12" Stem

CONNECTION LOCATION

A = Adjust Angle

RANGE

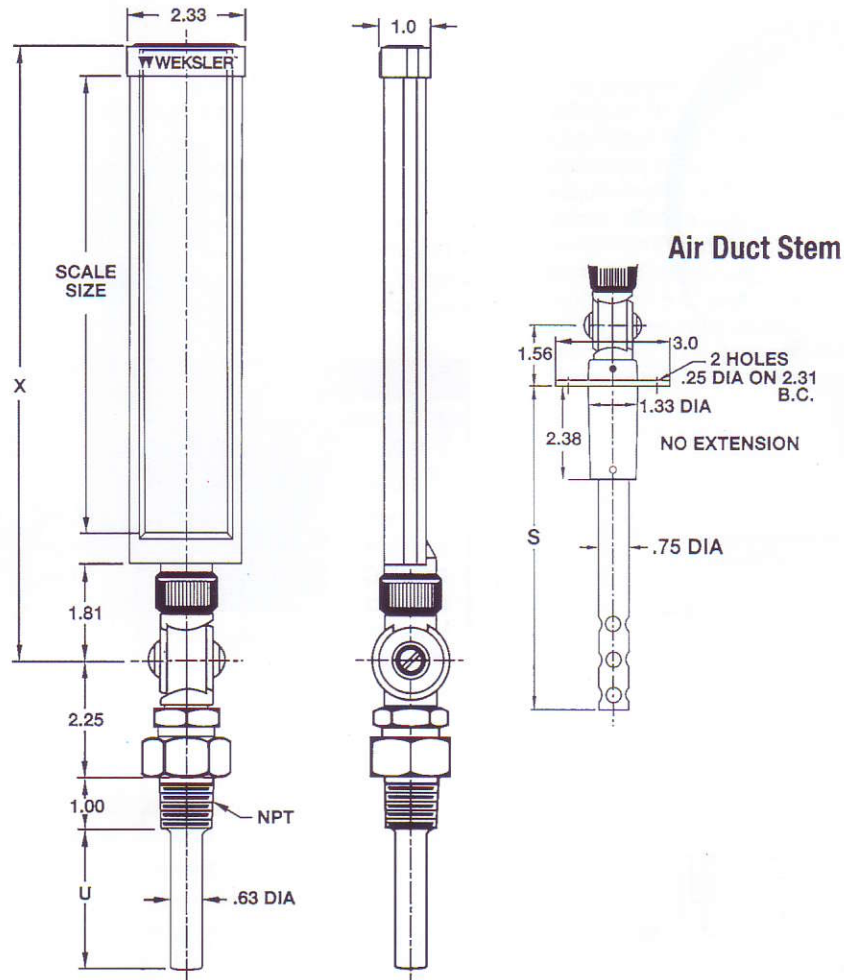
See Codes in Tables Above

OPTIONS

AL = Aluminum Case
PD = Plastic Window
RED = Red Spirit

WEKSLER® Adjust Angle and Air Duct Thermometer

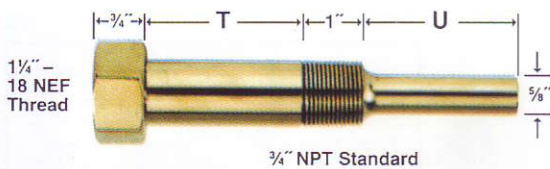
GENERAL DIMENSIONS



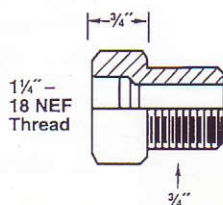
Thermowells For Adjust Angle Thermometers



THERMOMETER STEM LENGTH	"U" DIM.	3/4 NPT - CATALOG NUMBER			
		BRASS	STEEL	304 SS	316 SS
3 1/2"	2 1/2"	G1E3D2	G3E3D2	G6E3D2	G4E3D2
6"	5"	G1M3D2	G3M3D2	G6M3D2	G4M3D2
9"	8"	G1S3D2	G3S3D2	G6S3D2	G4S3D2
12"	11"	G1T3D2	G3T3D2	G6T3D2	G4T3D2



THERMOMETER STEM LENGTH	"T" DIM.	"U" DIM.	3/4 NPT - CATALOG NUMBER			
			BRASS	STEEL	304 SS	316 SS
3 1/2"	1"	1 1/2"	G1E3D2B	G3E3D2B	G6E3D2B	G4E3D2B
6"	2 1/2"	2 1/2"	G1M3D2E	G3M3D2E	G6M3D2E	G4M3D2E
9"	2 1/2"	5 1/2"	G1S3D2E	G3S3D2E	G6S3D2E	G4S3D2E
12"	2 1/2"	8 1/2"	G1T3D2E	G3T3D2E	G6T3D2E	G4T3D2E



CATALOG NUMBERS	
BRASS	304 SS
T143D2	T643D2

Bushing