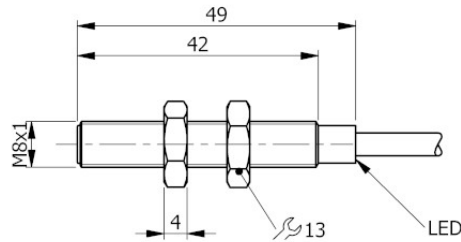


Part number: **I08000008** Model: **SI8-C1 NPN NO**



Dimension in mm

1. TECHNICAL CHARACTERISTICS



Electrical data

Power supply type:		Direct current
Working voltage:	[V]	10 ÷ 30
Current consumption:	[mA]	< 12 mA @ 24Vdc
Protection class:		III
Reverse polarity protection:		Presente

Outputs

Electrical design:		NPN
Function:		NO
Max voltage drop:	[V]	< 1.8
Max output current:	[mA]	200
Max switching frequency:	[Hz]	2000
Short circuit protection:		Present
Overload protection:		Present

Detection zone

Switching distance-Sn:	[mm]	1.5
Real sensing distance-Sr:	[mm]	1.5 ±10%
Operative distance-So:	[mm]	0 ÷ 1.22

Accuracy and Deviations

Correction factor:		Stainless steel: 0.9 - Brass: 0.5 - Aluminium: 0.4 - Copper: 0.4
Hysteresis:	[%Sr]	< 10
Switching point drift:	[%Sr]	-1
Repeatability:	[%Sn]	< 3

Environmental conditions

Temperature limits:	[°C]	-25/+70
IP rating:		IP65-IP66-IP67

Display and control elements

Display: Output switching status - 1 x LED: Yellow

Mechanical data

Housing:	Threded type
Thread designation:	M8x1
Dimensions: [mm]	M8x1 - L=50
Materials:	Housing: AISI 303 - Sensing area: POM red - Lock nuts: Nickel-plated brass
Mounting:	Embeddable
Weigth: [g]	60

Electrical connection

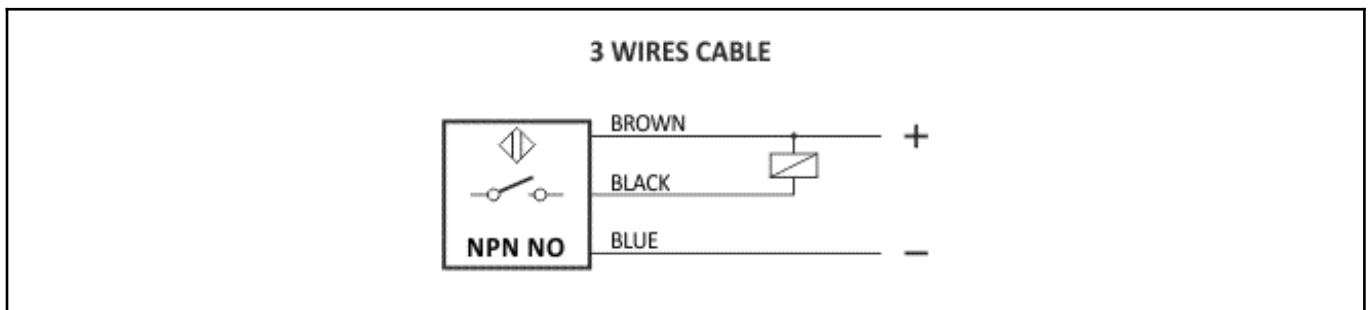
Cable: 2 m - PVC/PVC - 3 x 0.14 mm²

Compliance to Standards / Directives

Directives compliance:	2014/30/EU -Electromagnetic compatibility directive (EMC)
Standards compliance:	EN60947-5-2 - Product standard

2. NORME DI INSTALLAZIONE

WIRING DIAGRAM



INSTRUCTIONS FOR CORRECT INSTALLATION

