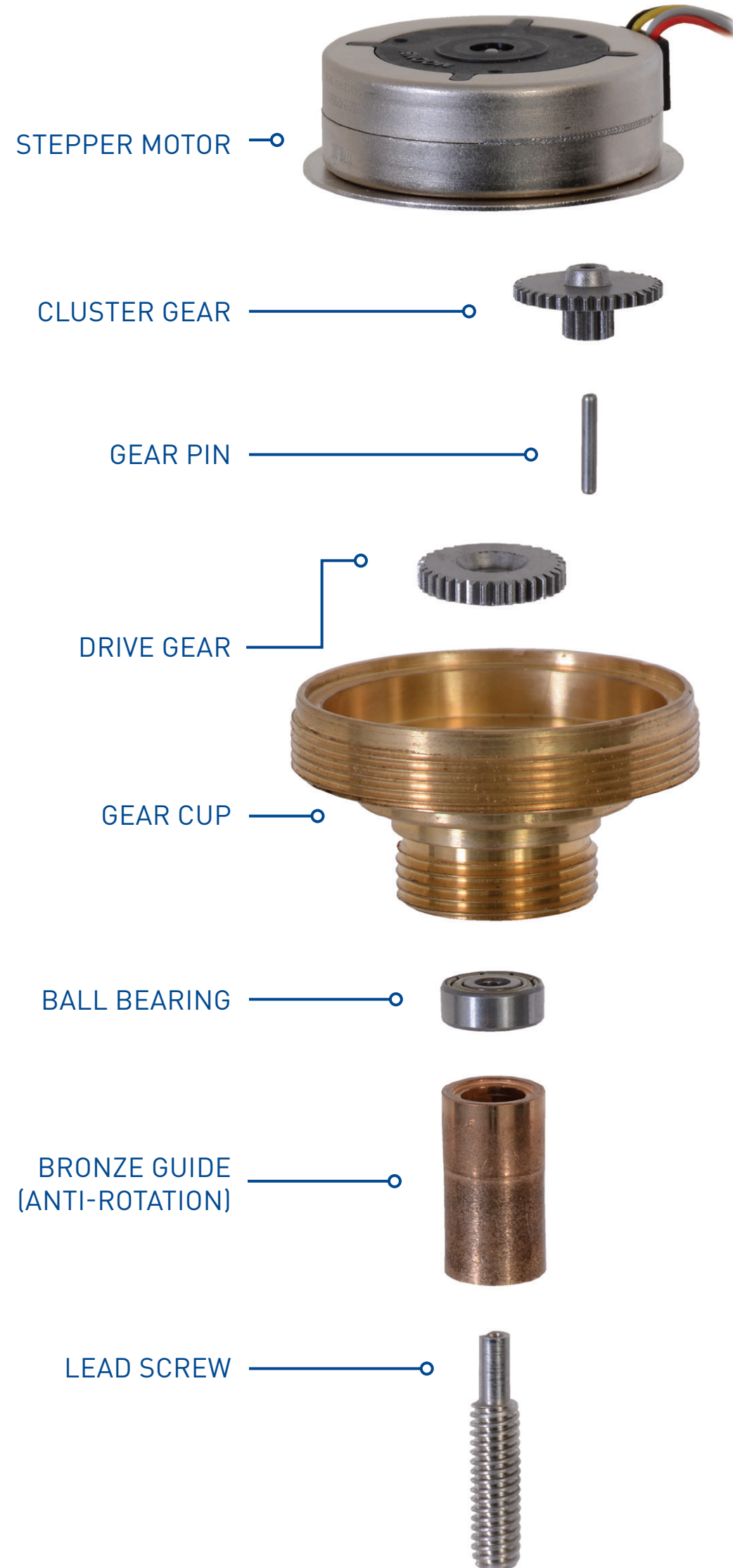
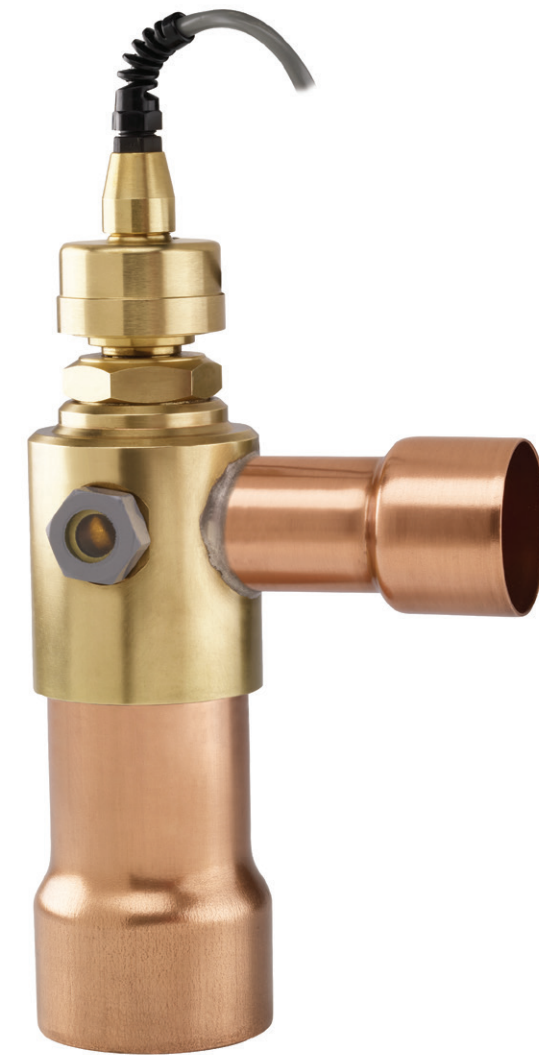


Electric VALVES

www.sporlan.com



Expansion



SEHI-400



SER-C



SEH-P



SERI-J



SER-DS



SERI-GS

Controls



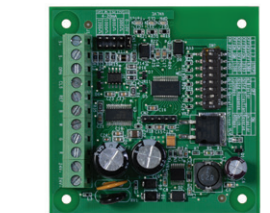
Subcool Control
PN 952570



Superheat Control
PN 952567



Chiller Control
PN 953463



IB-G Series
PN 953580

Discharge Bypass



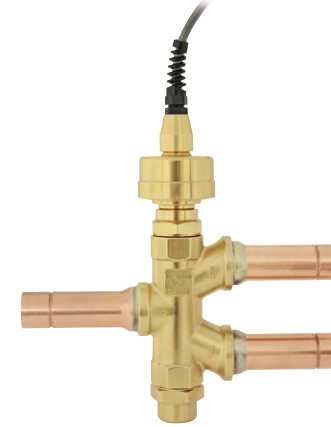
SDR-1X



SDR-3



SDR-4



MTW-9S

Controls



Temperature Control
PN 953462



Pressure Control
PN 953474

Pressure Regulation



CDS-7



CDS-17

