



# Solenoid Valves

SPORLAN

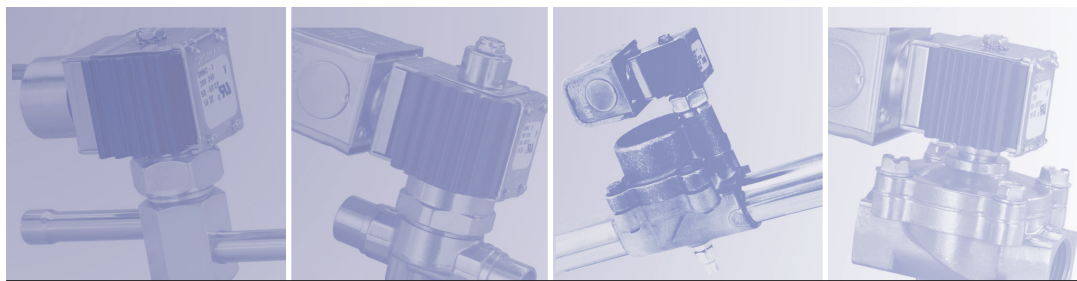


ENGINEERING YOUR SUCCESS.



## Sporlan Solenoid Valves

## Benefits



- Molded coil for most sizes.
- Class “F” temperature rating — Coil types MKC-1, MKC-2, and OMKC-2.
- Extremely rugged, simple design — few parts.
- “E” Series may be brazed without disassembly.
- Tight closing through use of synthetic seating material.
- Can be used with most commercially available CFC, HCFC and HFC refrigerants because of high MOPD ratings. Consult Sporlan, Washington, MO for refrigerants not listed.
- Synthetic coated metal gaskets minimize external leaks.

### ⚠ WARNING – USER RESPONSIBILITY

**Failure or improper selection or improper use of the products described herein or related items can cause death, personal injury and property damage.**

This document and other information from Parker Hannifin Corporation, its subsidiaries and authorized distributors provide product or system options for further investigation by users having technical expertise.

The user, through its own analysis and testing, is solely responsible for making the final selection of the system and components and assuring that all performance, endurance, maintenance, safety and warning requirements of the application are met. The user must analyze all aspects of the application, follow applicable industry standards, and follow the information concerning the product in the current product catalog and in any other materials provided from Parker or its subsidiaries or authorized distributors.

To the extent that Parker or its subsidiaries or authorized distributors provide component or system options based upon data or specifications provided by the user, the user is responsible for determining that such data and specifications are suitable and sufficient for all applications and reasonably foreseeable uses of the components or systems.

### OFFER OF SALE

The items described in this document are hereby offered for sale by Parker Hannifin Corporation, its subsidiaries or its authorized distributors. This offer and its acceptance are governed by the provisions stated in the detailed “Offer of Sale” available at [www.parker.com](http://www.parker.com).

### FOR USE ON REFRIGERATION and/or AIR CONDITIONING SYSTEMS ONLY

Bulletin 30-10, October 2022, supersedes, Bulletin 30-10, May 2019 and all prior publications.

# Contents

## Sporlan Solenoid Valves

---

|  |    |
|--|----|
| SELECTION.....                               | 3  |
| CAPACITIES                                   |    |
| Liquid Line.....                             | 4  |
| Suction Line.....                            | 6  |
| Air & Water.....                             | 19 |
| Steam.....                                   | 19 |
| Discharge Gas.....                           | 6  |
| SPECIFICATIONS                               |    |
| Types A3, E3 and E5 Series.....              | 8  |
| Types B6 and E6 Series.....                  | 9  |
| Types B9 and E9 Series.....                  | 10 |
| Types B10 and E10 Series.....                | 11 |
| Types B14 and E14 Series.....                | 12 |
| Types B19 and E19 Series.....                | 13 |
| Types B25 and E25 Series.....                | 14 |
| Types E35 Series.....                        | 15 |
| Type E42 Series.....                         | 16 |
| Built-In Check Valve Series.....             | 17 |
| Industrial Solenoid Valves.....              | 19 |
| GENERAL.....                                 | 21 |
| DESIGN.....                                  | 22 |
| CONSTRUCTION DETAILS.....                    | 23 |
| NET and SHIPPING WEIGHTS.....                | 23 |
| ELECTRICAL SPECIFICATIONS.....               | 24 |
| IDENTIFICATION.....                          | 25 |
| APPLICATION.....                             | 27 |
| TERMS OF SALE WITH WARRENTY LIMITATIONS..... | 29 |

---

### SOLENOID VALVES

Installation and Service Instructions  
3-Way Valves

Request Bulletin 30-11  
Request Bulletin 30-20

---

*NOT FOR USE WITH HAZARDOUS OR CORROSIVE FLUIDS*

## Sporlan Solenoid Valves

## Features

### Experience

For more than sixty-five years Sporlan has provided sound engineering principles and craftsmanship to produce top quality solenoid valves and other flow control devices for the air conditioning and refrigeration industry.

### Continuing Research

Through continuing research Sporlan has produced constant product improvements as well as innovative designs. Examples of Sporlan's research developments include: synthetic coated metal gaskets; solenoid pilot control; synthetic seating; color coded lead wires; floating disc construction; extended solder type connections; Class "F" coil.

### Peak Performance

To assure peak performance, Sporlan uses thoroughly proven synthetic materials, resulting in lasting valve seat tightness. The high MOPD ratings of most Sporlan Solenoid Valves allow their use on any application using the common refrigerants.

### Unsurpassed Reliability

A combination of top quality materials used in both the internal and external construction ensures unsurpassed product reliability. This is verified by periodic accelerated life tests.

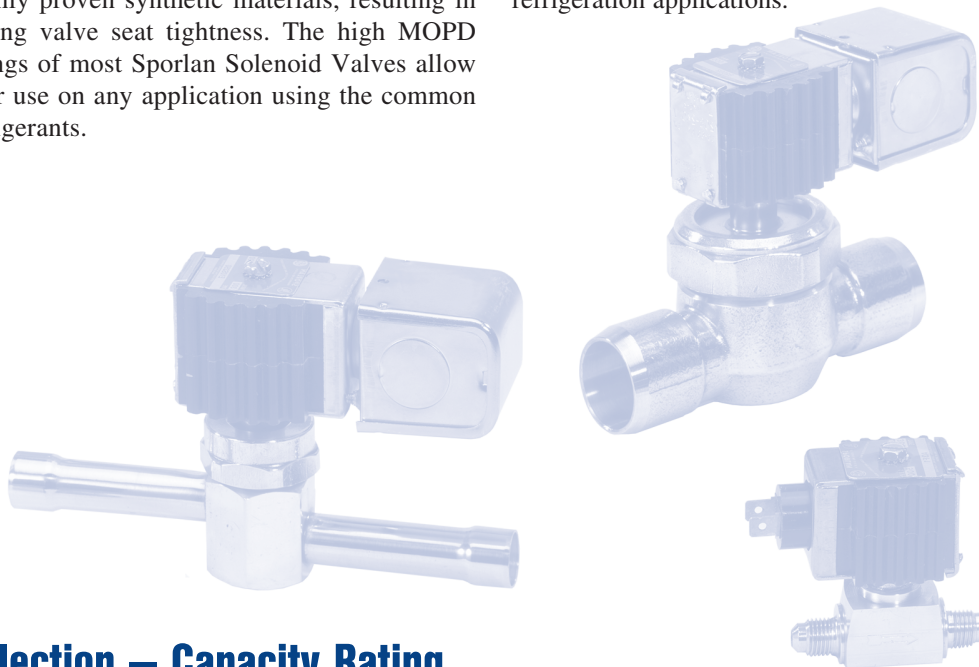
### Top Quality

Testing is performed during all phases of production followed by 100% testing for body and seat tightness, electrical characteristics and valve operation.

Sporlan packaging protects this quality for the ultimate user.

### Complete Line

Sporlan offers a complete line of solenoid valves to the industry. They are available in all capacities and connection sizes for air conditioning and refrigeration applications.



## Selection – Capacity Rating

The following information should be available when selecting a Sporlan Solenoid Valve:

- Refrigerant or fluid to be controlled.
- Capacity required.
- MOPD – Maximum Operating Pressure Differential required.
- Electrical specifications – volts and cycles.

With this information, the correct valve can be selected from the Selection Tables.

For Liquid Line capacity data, see Page 4 and 5 and individual specification pages.

For Suction Line capacity data, see capacity tables Page 6 and 7.

For Discharge Gas capacity data, see capacity tables Page 6 and 7.

All solenoid valves are tested and rated in accordance with A.R.I. Standard No. 760-2001.

# Liquid Capacity Selection Table

22, 134a, 401A, 402A

| TYPE NUMBER               |                       |                                 |                       | TONS OF REFRIGERATION |                  |                      |      |      |      |      |      |      |      |      |      |      |      |      |      |      |      |      |      |      |      |
|---------------------------|-----------------------|---------------------------------|-----------------------|-----------------------|------------------|----------------------|------|------|------|------|------|------|------|------|------|------|------|------|------|------|------|------|------|------|------|
| "A" and "B" Series Valves |                       | "E" Series Extended Connections |                       | CONNECTIONS Inches    | PORT SIZE Inches | PRESSURE DROP — psi* |      |      |      |      |      |      |      |      |      |      |      |      |      |      |      |      |      |      |      |
| Without Manual Lift Stem  | With Manual Lift Stem | Without Manual Lift Stem        | With Manual Lift Stem |                       |                  | 22                   |      |      |      |      | 134a |      |      |      |      | 401A |      |      |      |      | 402A |      |      |      |      |
| Normally Closed           | Normally Open         | Normally Closed                 | Normally Open         |                       |                  | 1                    | 2    | 3    | 4    | 5    | 1    | 2    | 3    | 4    | 5    | 1    | 2    | 3    | 4    | 5    | 1    | 2    | 3    | 4    | 5    |
| A3P1                      | ---                   | ---                             | ---                   | 3/8 NPT Female        |                  |                      |      |      |      |      |      |      |      |      |      |      |      |      |      |      |      |      |      |      |      |
| A3F1                      | ---                   | ---                             | ---                   | 1/4 SAE Flare         | .101             | 0.9                  | 1.3  | 1.6  | 1.9  | 2.1  | 0.8  | 1.2  | 1.5  | 1.8  | 2.0  | 0.9  | 1.3  | 1.6  | 1.9  | 2.1  | 1.1  | 1.5  | 1.9  | 2.1  | 2.4  |
| A3S1                      | ---                   | E3S120                          | ---                   | 1/4 ODF Solder        |                  |                      |      |      |      |      |      |      |      |      |      |      |      |      |      |      |      |      |      |      |      |
| ---                       | ---                   | E3S130                          | ---                   | 3/8 ODF Solder        | .150             | 1.6                  | 2.3  | 2.8  | 3.3  | 3.6  | 1.5  | 2.1  | 2.6  | 3.0  | 3.4  | 1.6  | 2.3  | 2.8  | 3.3  | 3.7  | 1.9  | 2.7  | 3.3  | 3.8  | 4.2  |
| ---                       | ---                   | E5S120                          | ---                   | 1/4 ODF Solder        |                  |                      |      |      |      |      |      |      |      |      |      |      |      |      |      |      |      |      |      |      |      |
| ---                       | ---                   | E5S130                          | ---                   | 3/8 ODF Solder        |                  |                      |      |      |      |      |      |      |      |      |      |      |      |      |      |      |      |      |      |      |      |
| B6P1                      | ---                   | MB6P1                           | ---                   | 3/8 NPT Female        |                  |                      |      |      |      |      |      |      |      |      |      |      |      |      |      |      |      |      |      |      |      |
| B6F1                      | ---                   | MB6F1                           | ---                   | 3/8 SAE Flare         | 3/16             | 2.9                  | 4.0  | 4.9  | 5.7  | 6.4  | 2.7  | 3.8  | 4.6  | 5.3  | 5.9  | 2.9  | 4.1  | 4.9  | 5.7  | 6.4  | 1.9  | 2.7  | 3.3  | 3.8  | 4.2  |
| B6S1                      | ---                   | MB6S1                           | ---                   | 3/8 ODF Solder        |                  |                      |      |      |      |      |      |      |      |      |      |      |      |      |      |      |      |      |      |      |      |
| ---                       | ---                   | ME6S140                         | ---                   | 1/2 ODF Solder        |                  |                      |      |      |      |      |      |      |      |      |      |      |      |      |      |      |      |      |      |      |      |
| B9P2                      | OB9P2                 | MB9P2                           | ---                   | 3/8 NPT Female        |                  |                      |      |      |      |      |      |      |      |      |      |      |      |      |      |      |      |      |      |      |      |
| B9F2                      | OB9F2                 | MB9F2                           | ---                   | 3/8 SAE Flare         | 9/32             | 4.7                  | 6.6  | 8.1  | 9.3  | 10.4 | 4.4  | 6.2  | 7.5  | 8.7  | 9.7  | 4.7  | 6.6  | 8.1  | 9.3  | 10.4 | 3.1  | 4.4  | 5.3  | 6.2  | 6.9  |
| ---                       | ---                   | ME9S230                         | ---                   | 3/8 ODF Solder        |                  |                      |      |      |      |      |      |      |      |      |      |      |      |      |      |      |      |      |      |      |      |
| ---                       | ---                   | ME9S240                         | ---                   | 1/2 ODF Solder        |                  |                      |      |      |      |      |      |      |      |      |      |      |      |      |      |      |      |      |      |      |      |
| B9S2                      | OB9S2                 | MB9S2                           | ---                   | 1/2 SAE Flare         |                  |                      |      |      |      |      |      |      |      |      |      |      |      |      |      |      |      |      |      |      |      |
| B10F2                     | OB10F2                | MB10F2                          | ---                   | 1/2 ODF Solder        |                  |                      |      |      |      |      |      |      |      |      |      |      |      |      |      |      |      |      |      |      |      |
| ---                       | ---                   | ME10S240                        | ---                   | 1/2 ODF Solder        |                  |                      |      |      |      |      |      |      |      |      |      |      |      |      |      |      |      |      |      |      |      |
| B10S2                     | OB10S2                | MB10S2                          | ---                   | 5/8 ODF Solder        | 5/16             | 6.4                  | 9.1  | 11.1 | 12.8 | 14.3 | 6.0  | 8.5  | 10.4 | 12.0 | 13.4 | 6.4  | 9.1  | 11.1 | 12.8 | 14.4 | 4.2  | 6.0  | 7.3  | 8.5  | 9.4  |
| B14P2                     | OB14P2                | MB14P2                          | ---                   | 1/2 NPT Female        |                  |                      |      |      |      |      |      |      |      |      |      |      |      |      |      |      |      |      |      |      |      |
| B14S2                     | OB14S2                | MB14S2                          | ---                   | 5/8 ODF Solder        | 7/16             | 9.1                  | 12.9 | 15.8 | 18.2 | 20.3 | 8.5  | 12.0 | 14.7 | 17.0 | 18.9 | 9.1  | 12.9 | 15.8 | 18.2 | 20.4 | 6.0  | 8.5  | 10.4 | 12.0 | 13.4 |
| B19S2                     | OB19S2                | MB19S2                          | ---                   | 1/2 ODF Solder        |                  |                      |      |      |      |      |      |      |      |      |      |      |      |      |      |      |      |      |      |      |      |
| B19P2                     | OB19P2                | MB19P2                          | ---                   | 5/8 ODF Solder        | 19/32            | 13.9                 | 19.8 | 24.2 | 28.0 | 31.4 | 13.0 | 18.4 | 22.6 | 26.1 | 29.2 | 14.0 | 19.8 | 24.3 | 28.1 | 31.4 | 9.2  | 13.0 | 16.0 | 18.5 | 20.7 |
| B19S2                     | OB19S2                | MB19S2                          | ---                   | 3/4 NPT Female        |                  |                      |      |      |      |      |      |      |      |      |      |      |      |      |      |      |      |      |      |      |      |
| B25P2                     | OB25P2                | MB25P2                          | ---                   | 7/8 ODF Solder        |                  |                      |      |      |      |      |      |      |      |      |      |      |      |      |      |      |      |      |      |      |      |
| B25S2                     | OB25S2                | MB25S2                          | ---                   | 1 NPT Female          |                  |                      |      |      |      |      |      |      |      |      |      |      |      |      |      |      |      |      |      |      |      |
| ---                       | ---                   | ME25S270                        | ---                   | 7/8 ODF Solder        | 25/32            | 23.8                 | 33.8 | 41.4 | 47.8 | 53.5 | 22.2 | 31.5 | 38.6 | 44.6 | 49.9 | 23.9 | 33.8 | 41.4 | 47.9 | 53.6 | 15.7 | 22.2 | 27.3 | 31.5 | 35.3 |
| ---                       | ---                   | ME25S290                        | ---                   | 1-1/8 ODF Solder      |                  |                      |      |      |      |      |      |      |      |      |      |      |      |      |      |      |      |      |      |      |      |
| ---                       | ---                   | ME35S190                        | ---                   | 1-1/8 ODF Solder      |                  |                      |      |      |      |      |      |      |      |      |      |      |      |      |      |      |      |      |      |      |      |
| ---                       | ---                   | ME35S110                        | ---                   | 1-3/8 ODF Solder      | 1                | 38.9                 | 56.8 | 70.9 | 83.0 | 93.7 | 36.3 | 53.0 | 66.2 | 77.4 | 87.4 | 39.0 | 56.9 | 71.0 | 83.1 | 93.8 | 25.6 | 37.3 | 46.6 | 54.5 | 61.5 |
| ---                       | ---                   | ME42S2130                       | ---                   | 1-5/8 ODF Solder      |                  |                      |      |      |      |      |      |      |      |      |      |      |      |      |      |      |      |      |      |      |      |
| ---                       | ---                   | ME42S2170                       | ---                   | 2-1/8 ODF Solder      | 1-15/16          | 60.9                 | 82.3 | 98.2 | 111  | 123  | 56.7 | 76.7 | 91.5 | 104  | 114  | 61.0 | 82.5 | 98.0 | 112  | 123  | 40.4 | 54.6 | 65.1 | 73.8 | 81.4 |

\*Do not use below 1 psi pressure drop, except Types A3 and E3 valves. Liquid capacities for Refrigerants 22, 134a, 401A and 402A shown in the above table are based on 40°F evaporating and 100°F liquid case.

## REFRIGERANT LIQUID TEMPERATURE CORRECTION FACTORS

| Refrigerant Liquid Temperature °F | Refrigerant Liquid Temperature °F |      |      |      |      |      |      |      |      |      |      |      |      |      |      |      |      |      |      |      |      |      |
|-----------------------------------|-----------------------------------|------|------|------|------|------|------|------|------|------|------|------|------|------|------|------|------|------|------|------|------|------|
|                                   | 40                                | 50   | 60   | 70   | 80   | 90   | 100  | 110  | 120  | 130  | 140  | 40   | 50   | 60   | 70   | 80   | 90   | 100  | 110  | 120  | 130  | 140  |
| R-22                              | 1.33                              | 1.27 | 1.22 | 1.17 | 1.11 | 1.06 | 1.00 | 0.94 | 0.89 | 0.83 | 0.77 | 1.34 | 1.29 | 1.23 | 1.17 | 1.12 | 1.06 | 1.00 | 0.94 | 0.88 | 0.82 | 0.75 |
| R-134a                            | 1.39                              | 1.33 | 1.26 | 1.20 | 1.13 | 1.07 | 1.00 | 0.93 | 0.87 | 0.80 | 0.73 | 1.57 | 1.48 | 1.39 | 1.29 | 1.20 | 1.10 | 1.00 | 0.90 | 0.79 | 0.68 | 0.56 |

These factors include corrections for liquid refrigerant density and net refrigerating effect and are based on an average evaporator temperature of 40°F. For each 10°F reduction in evaporating temperature, capacities are reduced by approximately 1-1/2%.

404A, 407C, 502, 507

# Liquid Capacity Selection Table

| TYPE NUMBER               |                       |                                 |                       | TONS OF REFRIGERATION |                    |                      |     |      |     |     |     |     |     |     |     |     |     |     |     |     |     |     |     |
|---------------------------|-----------------------|---------------------------------|-----------------------|-----------------------|--------------------|----------------------|-----|------|-----|-----|-----|-----|-----|-----|-----|-----|-----|-----|-----|-----|-----|-----|-----|
| "A" and "B" Series Valves |                       | "E" Series Extended Connections |                       | PORT SIZE Inches      | CONNECTIONS Inches | PRESSURE DROP — psi* |     |      |     |     |     |     |     |     |     |     |     |     |     |     |     |     |     |
| Without Manual Lift Stem  | With Manual Lift Stem | Without Manual Lift Stem        | With Manual Lift Stem |                       |                    | 404A                 |     | 407C |     | 502 |     | 507 |     |     |     |     |     |     |     |     |     |     |     |
| Normally Closed           | Normally Open         | Normally Closed                 | Normally Open         | 1                     | 2                  | 3                    | 4   | 5    | 1   | 2   | 3   | 4   | 5   | 1   | 2   | 3   | 4   | 5   | 1   | 2   | 3   | 4   | 5   |
| A3P1                      | ---                   | ---                             | ---                   | ---                   | 3/8 NPT Female     | ---                  | --- | ---  | --- | --- | --- | --- | --- | --- | --- | --- | --- | --- | --- | --- | --- | --- | --- |
| A3F1                      | ---                   | ---                             | ---                   | ---                   | 1/4 SAE Flare      | ---                  | --- | ---  | --- | --- | --- | --- | --- | --- | --- | --- | --- | --- | --- | --- | --- | --- | --- |
| A3S1                      | ---                   | E3S120                          | ---                   | ---                   | 1/4 ODF Solder     | ---                  | --- | ---  | --- | --- | --- | --- | --- | --- | --- | --- | --- | --- | --- | --- | --- | --- | --- |
| ---                       | ---                   | E3S130                          | ---                   | ---                   | 3/8 ODF Solder     | ---                  | --- | ---  | --- | --- | --- | --- | --- | --- | --- | --- | --- | --- | --- | --- | --- | --- | --- |
| ---                       | ---                   | E5S120                          | ---                   | ---                   | 1/4 ODF Solder     | ---                  | --- | ---  | --- | --- | --- | --- | --- | --- | --- | --- | --- | --- | --- | --- | --- | --- | --- |
| ---                       | ---                   | E5S130                          | ---                   | ---                   | 3/8 ODF Solder     | ---                  | --- | ---  | --- | --- | --- | --- | --- | --- | --- | --- | --- | --- | --- | --- | --- | --- | --- |
| B6P1                      | ---                   | ---                             | ---                   | ---                   | 3/8 NPT Female     | ---                  | --- | ---  | --- | --- | --- | --- | --- | --- | --- | --- | --- | --- | --- | --- | --- | --- | --- |
| B6F1                      | ---                   | ---                             | ---                   | ---                   | 3/8 SAE Flare      | ---                  | --- | ---  | --- | --- | --- | --- | --- | --- | --- | --- | --- | --- | --- | --- | --- | --- | --- |
| B6S1                      | ---                   | E6S130                          | ---                   | ---                   | 3/8 ODF Solder     | ---                  | --- | ---  | --- | --- | --- | --- | --- | --- | --- | --- | --- | --- | --- | --- | --- | --- | --- |
| ---                       | ---                   | E6S140                          | ---                   | ---                   | 1/2 ODF Solder     | ---                  | --- | ---  | --- | --- | --- | --- | --- | --- | --- | --- | --- | --- | --- | --- | --- | --- | --- |
| B9P2                      | OB9P2                 | ---                             | ---                   | ---                   | 3/8 NPT Female     | ---                  | --- | ---  | --- | --- | --- | --- | --- | --- | --- | --- | --- | --- | --- | --- | --- | --- | --- |
| ---                       | OB9F2                 | ---                             | ---                   | ---                   | 3/8 SAE Flare      | ---                  | --- | ---  | --- | --- | --- | --- | --- | --- | --- | --- | --- | --- | --- | --- | --- | --- | --- |
| B9S2                      | OB9S2                 | ---                             | ---                   | ---                   | 3/8 ODF Solder     | ---                  | --- | ---  | --- | --- | --- | --- | --- | --- | --- | --- | --- | --- | --- | --- | --- | --- | --- |
| ---                       | OB10F2                | ---                             | ---                   | ---                   | 3/8 ODF Solder     | ---                  | --- | ---  | --- | --- | --- | --- | --- | --- | --- | --- | --- | --- | --- | --- | --- | --- | --- |
| ---                       | ---                   | ---                             | ---                   | ---                   | 1/2 SAE Flare      | ---                  | --- | ---  | --- | --- | --- | --- | --- | --- | --- | --- | --- | --- | --- | --- | --- | --- | --- |
| B10S2                     | OB10S2                | ---                             | ---                   | ---                   | 1/2 ODF Solder     | ---                  | --- | ---  | --- | --- | --- | --- | --- | --- | --- | --- | --- | --- | --- | --- | --- | --- | --- |
| ---                       | OB14P2                | ---                             | ---                   | ---                   | 5/8 ODF Solder     | ---                  | --- | ---  | --- | --- | --- | --- | --- | --- | --- | --- | --- | --- | --- | --- | --- | --- | --- |
| B14S2                     | OB14S2                | ---                             | ---                   | ---                   | 1/2 NPT Female     | ---                  | --- | ---  | --- | --- | --- | --- | --- | --- | --- | --- | --- | --- | --- | --- | --- | --- | --- |
| ---                       | OB19S2                | ---                             | ---                   | ---                   | 5/8 ODF Solder     | ---                  | --- | ---  | --- | --- | --- | --- | --- | --- | --- | --- | --- | --- | --- | --- | --- | --- | --- |
| B19P2                     | OB19P2                | ---                             | ---                   | ---                   | 3/4 NPT Female     | ---                  | --- | ---  | --- | --- | --- | --- | --- | --- | --- | --- | --- | --- | --- | --- | --- | --- | --- |
| ---                       | OB19S2                | ---                             | ---                   | ---                   | 3/4 NPT Female     | ---                  | --- | ---  | --- | --- | --- | --- | --- | --- | --- | --- | --- | --- | --- | --- | --- | --- | --- |
| B19S2                     | OB19S2                | ---                             | ---                   | ---                   | 7/8 ODF Solder     | ---                  | --- | ---  | --- | --- | --- | --- | --- | --- | --- | --- | --- | --- | --- | --- | --- | --- | --- |
| B25P2                     | OB25P2                | ---                             | ---                   | ---                   | 1 NPT Female       | ---                  | --- | ---  | --- | --- | --- | --- | --- | --- | --- | --- | --- | --- | --- | --- | --- | --- | --- |
| B25S2                     | OB25S2                | ---                             | ---                   | ---                   | 7/8 ODF Solder     | ---                  | --- | ---  | --- | --- | --- | --- | --- | --- | --- | --- | --- | --- | --- | --- | --- | --- | --- |
| ---                       | ---                   | ---                             | ---                   | ---                   | 1-1/8 ODF Solder   | ---                  | --- | ---  | --- | --- | --- | --- | --- | --- | --- | --- | --- | --- | --- | --- | --- | --- | --- |
| ---                       | ---                   | ---                             | ---                   | ---                   | 1-1/8 ODF Solder   | ---                  | --- | ---  | --- | --- | --- | --- | --- | --- | --- | --- | --- | --- | --- | --- | --- | --- | --- |
| ---                       | ---                   | ---                             | ---                   | ---                   | 1-3/8 ODF Solder   | ---                  | --- | ---  | --- | --- | --- | --- | --- | --- | --- | --- | --- | --- | --- | --- | --- | --- | --- |
| ---                       | ---                   | ---                             | ---                   | ---                   | 1-5/8 ODF Solder   | ---                  | --- | ---  | --- | --- | --- | --- | --- | --- | --- | --- | --- | --- | --- | --- | --- | --- | --- |
| ---                       | ---                   | ---                             | ---                   | ---                   | 2-1/8 ODF Solder   | ---                  | --- | ---  | --- | --- | --- | --- | --- | --- | --- | --- | --- | --- | --- | --- | --- | --- | --- |

\*Do not use below 1 psi pressure drop, except Types A3 and E3 valves. Liquid capacities for Refrigerants 404A, 407C, 502 and 507 shown in the above table are based on 40°F evaporating and 100°F liquid.

## REFRIGERANT LIQUID TEMPERATURE CORRECTION FACTORS

| Refrigerant Liquid Temperature °F | 40     | 50   | 60   | 70   | 80   | 90   | 100  | 110  | 120  | 130  | 140  |
|-----------------------------------|--------|------|------|------|------|------|------|------|------|------|------|
|                                   | R-404A | 1.58 | 1.49 | 1.39 | 1.30 | 1.20 | 1.10 | 1.00 | 0.90 | 0.79 | 0.68 |
| R-407C                            | 1.45   | 1.38 | 1.30 | 1.23 | 1.15 | 1.08 | 1.00 | 0.92 | 0.84 | 0.75 | 0.67 |

| Refrigerant Liquid Temperature °F | 40    | 50   | 60   | 70   | 80   | 90   | 100  | 110  | 120  | 130  | 140  |
|-----------------------------------|-------|------|------|------|------|------|------|------|------|------|------|
|                                   | R-502 | 1.48 | 1.40 | 1.32 | 1.24 | 1.16 | 1.08 | 1.00 | 0.92 | 0.84 | 0.75 |
| R-507                             | 1.54  | 1.45 | 1.36 | 1.27 | 1.18 | 1.09 | 1.00 | 0.90 | 0.80 | 0.69 | 0.56 |

The 404A, 407C, 502, and 507 factors include corrections for liquid refrigerant density and net refrigerating effect and are based on an average evaporator temperature of 40°F. For each 10°F reduction in evaporating temperature, capacities are reduced by approximately 1-1/2%.

# Discharge Gas and Suction Capacities 22, 134a, 401A, 402A

| VALVE SERIES            | DISCHARGE GAS CAPACITIES — TONS  |      |             |      |      |      | VALVE SERIES            | SUCTION CAPACITY* — TONS                         |      |      |       |       |  |
|-------------------------|----------------------------------|------|-------------|------|------|------|-------------------------|--|------|------|-------|-------|--|
|                         | Pressure Drop Across Valve — psi |      |             |      |      |      |                         | 1 PSI Pressure Drop and Evaporating Temperatures |      |      |       |       |  |
|                         | 2                                | 5    | 10          | 25   | 50   | 100  |                         | 40°F   | 20°F | 0°F  | -20°F | -40°F |  |
| <b>REFRIGERANT 22</b>   |                                  |      |             |      |      |      | <b>REFRIGERANT 22</b>   |  |      |      |       |       |  |
| A3 & E3                 | 0.24                             | 0.39 | <b>0.56</b> | 0.77 | 0.99 | 1.11 | A3 & E3                 | 0.11   | 0.09 | 0.07 | 0.05  | 0.04  |  |
| E5                      | 0.45                             | 0.71 | <b>1.02</b> | 1.83 | 2.36 | 2.69 | E5                      | 0.22   | 0.17 | 0.14 | 0.11  | 0.08  |  |
| B6 & E6                 | 0.84                             | 1.31 | <b>1.85</b> | 3.10 | 3.89 | 4.15 | B6 & E6                 | 0.42   | 0.34 | 0.27 | 0.21  | 0.16  |  |
| B9 & E9                 | 1.35                             | 2.13 | <b>3.00</b> | 4.65 | 6.20 | 7.71 | B9 & E9                 | 0.66   | 0.53 | 0.42 | 0.32  | 0.24  |  |
| B10 & E10               | 1.83                             | 2.90 | <b>4.09</b> | 7.07 | 9.17 | 10.6 | B10 & E10               | 0.91   | 0.73 | 0.57 | 0.44  | 0.33  |  |
| B14 & E14               | 2.62                             | 4.13 | <b>5.83</b> | 9.72 | 12.8 | 15.5 | B14 & E14               | 1.30   | 1.04 | 0.82 | 0.63  | 0.48  |  |
| B19 & E19               | 3.93                             | 6.23 | <b>8.84</b> | 14.4 | 19.1 | 23.4 | B19 & E19               | 1.94   | 1.54 | 1.21 | 0.93  | 0.70  |  |
| B25 & E25               | 6.74                             | 10.7 | <b>15.1</b> | 23.0 | 30.5 | 37.4 | B25 & E25               | 3.28   | 2.62 | 2.06 | 1.59  | 1.19  |  |
| E35                     | 9.90                             | 16.3 | <b>23.8</b> | 40.3 | 53.7 | 66.8 | E35                     | 4.60   | 3.61 | 2.78 | 2.10  | 1.54  |  |
| E42                     | 21.0                             | 33.1 | <b>46.8</b> | 67.2 | 89.0 | 109  | E42                     | 9.57   | 7.64 | 6.00 | 4.62  | 3.48  |  |
| <b>REFRIGERANT 134a</b> |                                  |      |             |      |      |      | <b>REFRIGERANT 134a</b> |  |      |      |       |       |  |
| A3 & E3                 | 0.20                             | 0.32 | <b>0.46</b> | 0.60 | 0.71 | 0.72 | A3 & E3                 | 0.09   | 0.07 | 0.05 | ---   | ---   |  |
| E5                      | 0.37                             | 0.59 | <b>0.84</b> | 1.44 | 1.72 | 1.74 | E5                      | 0.17   | 0.13 | 0.10 | ---   | ---   |  |
| B6 & E6                 | 0.70                             | 1.09 | <b>1.54</b> | 2.39 | 2.70 | 2.70 | B6 & E6                 | 0.32   | 0.25 | 0.19 | ---   | ---   |  |
| B9 & E9                 | 1.12                             | 1.77 | <b>2.50</b> | 3.72 | 4.76 | 5.30 | B9 & E9                 | 0.51   | 0.39 | 0.30 | ---   | ---   |  |
| B10 & E10               | 1.52                             | 2.41 | <b>3.40</b> | 5.56 | 6.74 | 6.92 | B10 & E10               | 0.70   | 0.54 | 0.41 | ---   | ---   |  |
| B14 & E14               | 2.17                             | 3.43 | <b>4.84</b> | 7.73 | 9.65 | 10.3 | B14 & E14               | 1.00   | 0.77 | 0.58 | ---   | ---   |  |
| B19 & E19               | 3.26                             | 5.17 | <b>7.34</b> | 11.5 | 14.5 | 15.8 | B19 & E19               | 1.49   | 1.14 | 0.86 | ---   | ---   |  |
| B25 & E25               | 5.60                             | 8.87 | <b>12.6</b> | 18.4 | 23.2 | 25.2 | B25 & E25               | 2.53   | 1.94 | 1.46 | ---   | ---   |  |
| E35                     | 8.1                              | 13.4 | <b>19.6</b> | 32.1 | 40.8 | 44.9 | E35                     | 3.48   | 2.62 | 1.93 | ---   | ---   |  |
| E42                     | 17.4                             | 27.5 | <b>38.9</b> | 53.6 | 67.6 | 73.3 | E42                     | 7.36   | 5.66 | 4.26 | ---   | ---   |  |
| <b>REFRIGERANT 401A</b> |                                  |      |             |      |      |      | <b>REFRIGERANT 401A</b> |  |      |      |       |       |  |
| A3 & E3                 | 0.20                             | 0.33 | <b>0.47</b> | 0.62 | 0.74 | 0.74 | A3 & E3                 | 0.09   | 0.07 | 0.05 | ---   | ---   |  |
| E5                      | 0.38                             | 0.61 | <b>0.86</b> | 1.48 | 1.77 | 1.81 | E5                      | 0.18   | 0.14 | 0.10 | ---   | ---   |  |
| B6 & E6                 | 0.72                             | 1.12 | <b>1.58</b> | 2.46 | 2.79 | 2.79 | B6 & E6                 | 0.34   | 0.26 | 0.20 | ---   | ---   |  |
| B9 & E9                 | 1.15                             | 1.82 | <b>2.56</b> | 3.83 | 4.90 | 5.49 | B9 & E9                 | 0.53   | 0.41 | 0.32 | ---   | ---   |  |
| B10 & E10               | 1.56                             | 2.47 | <b>3.49</b> | 5.73 | 6.96 | 7.16 | B10 & E10               | 0.73   | 0.57 | 0.44 | ---   | ---   |  |
| B14 & E14               | 2.23                             | 3.52 | <b>4.97</b> | 7.95 | 9.96 | 10.6 | B14 & E14               | 1.05   | 0.82 | 0.62 | ---   | ---   |  |
| B19 & E19               | 3.35                             | 5.31 | <b>7.53</b> | 11.8 | 15.0 | 16.3 | B19 & E19               | 1.55   | 1.21 | 0.92 | ---   | ---   |  |
| B25 & E25               | 5.74                             | 9.11 | <b>12.9</b> | 18.9 | 23.9 | 26.1 | B25 & E25               | 2.63   | 2.05 | 1.57 | ---   | ---   |  |
| E35                     | 8.32                             | 13.7 | <b>20.0</b> | 33.1 | 42.1 | 46.5 | E35                     | 3.62   | 2.76 | 2.07 | ---   | ---   |  |
| E42                     | 17.9                             | 28.3 | <b>40.0</b> | 55.1 | 69.7 | 75.9 | E42                     | 7.68   | 5.98 | 4.57 | ---   | ---   |  |
| <b>REFRIGERANT 402A</b> |                                  |      |             |      |      |      | <b>REFRIGERANT 402A</b> |  |      |      |       |       |  |
| A3 & E3                 | 0.21                             | 0.34 | <b>0.49</b> | 0.68 | 0.89 | 1.05 | A3 & E3                 | 0.09   | 0.07 | 0.06 | 0.04  | 0.03  |  |
| E5                      | 0.39                             | 0.63 | <b>0.89</b> | 1.62 | 2.13 | 2.55 | E5                      | 0.19   | 0.15 | 0.11 | 0.08  | 0.06  |  |
| B6 & E6                 | 0.73                             | 1.14 | <b>1.60</b> | 2.76 | 3.55 | 3.99 | B6 & E6                 | 0.36   | 0.28 | 0.22 | 0.16  | 0.12  |  |
| B9 & E9                 | 1.18                             | 1.85 | <b>2.61</b> | 4.09 | 5.52 | 7.05 | B9 & E9                 | 0.57   | 0.44 | 0.34 | 0.25  | 0.19  |  |
| B10 & E10               | 1.60                             | 2.52 | <b>3.57</b> | 6.26 | 8.25 | 9.99 | B10 & E10               | 0.78   | 0.61 | 0.47 | 0.35  | 0.25  |  |
| B14 & E14               | 2.28                             | 3.59 | <b>5.07</b> | 8.58 | 11.5 | 14.3 | B14 & E14               | 1.11   | 0.87 | 0.67 | 0.50  | 0.37  |  |
| B19 & E19               | 3.43                             | 5.45 | <b>7.73</b> | 12.7 | 17.1 | 21.5 | B19 & E19               | 1.66   | 1.29 | 0.99 | 0.74  | 0.54  |  |
| B25 & E25               | 5.89                             | 9.33 | <b>13.2</b> | 20.3 | 27.3 | 34.4 | B25 & E25               | 2.80   | 2.19 | 1.67 | 1.26  | 0.92  |  |
| E35                     | 8.82                             | 14.5 | <b>21.2</b> | 35.5 | 47.9 | 61.3 | E35                     | 4.01   | 3.07 | 2.31 | 1.69  | 1.21  |  |
| E42                     | 18.3                             | 28.9 | <b>40.8</b> | 59.2 | 79.5 | 100  | E42                     | 8.18   | 6.37 | 4.88 | 3.66  | 2.67  |  |

\*Minimum operating capacity is at one psi pressure drop for pilot operated valves.

## EVAPORATOR TEMPERATURE CORRECTION FACTORS

|                           |      |      |      |      |      |      |      |      |      |
|---------------------------|------|------|------|------|------|------|------|------|------|
| Evaporator Temperature °F | 40   | 30   | 20   | 10   | 0    | -10  | -20  | -30  | -40  |
| Multiplier                | 1.00 | 0.96 | 0.93 | 0.90 | 0.87 | 0.84 | 0.81 | 0.78 | 0.75 |

Capacities based on 100°F condensing temperature, isentropic compression plus 50°F, 40°F evaporator and 65°F suction gas. For capacities at other conditions use the multipliers in table at left.



# 404A, 407C, 502, 507 Discharge Gas and Suction Capacities

| VALVE SERIES            | DISCHARGE GAS CAPACITIES — TONS  |      |      |      |      |       | VALVE SERIES            | SUCTION CAPACITY* — TONS                         |      |      |       |       |  |
|-------------------------|----------------------------------|------|------|------|------|-------|-------------------------|--|------|------|-------|-------|--|
|                         | Pressure Drop Across Valve — psi |      |      |      |      |       |                         | 1 PSI Pressure Drop and Evaporating Temperatures |      |      |       |       |  |
|                         | 2                                | 5    | 10   | 25   | 50   | 100   |                         | 40°F   | 20°F | 0°F  | -20°F | -40°F |  |
| <b>REFRIGERANT 404A</b> |                                  |      |      |      |      |       | <b>REFRIGERANT 404A</b> |  |      |      |       |       |  |
| A3 & E3                 | 0.22                             | 0.35 | 0.51 | 0.70 | 0.91 | 1.06  | A3 & E3                 | 0.10   | 0.07 | 0.06 | 0.04  | 0.03  |  |
| E5                      | 0.40                             | 0.64 | 0.91 | 1.66 | 2.17 | 2.56  | E5                      | 0.19   | 0.15 | 0.11 | 0.08  | 0.06  |  |
| B6 & E6                 | 0.75                             | 1.17 | 1.65 | 2.82 | 3.60 | 3.99  | B6 & E6                 | 0.36   | 0.28 | 0.22 | 0.16  | 0.12  |  |
| B9 & E9                 | 1.21                             | 1.90 | 2.68 | 4.19 | 5.64 | 7.16  | B9 & E9                 | 0.58   | 0.45 | 0.34 | 0.25  | 0.18  |  |
| B10 & E10               | 1.64                             | 2.59 | 3.66 | 6.40 | 8.41 | 10.1  | B10 & E10               | 0.79   | 0.61 | 0.47 | 0.35  | 0.25  |  |
| B14 & E14               | 2.34                             | 3.69 | 5.21 | 8.79 | 11.7 | 14.5  | B14 & E14               | 1.13   | 0.88 | 0.67 | 0.50  | 0.36  |  |
| B19 & E19               | 3.53                             | 5.59 | 7.93 | 13.0 | 17.4 | 21.8  | B19 & E19               | 1.69   | 1.30 | 0.99 | 0.74  | 0.53  |  |
| B25 & E25               | 6.04                             | 9.60 | 13.6 | 20.8 | 27.8 | 34.9  | B25 & E25               | 2.86   | 2.21 | 1.68 | 1.26  | 0.91  |  |
| E35                     | 9.03                             | 14.9 | 21.7 | 36.4 | 49.0 | 62.2  | E35                     | 4.07   | 3.09 | 2.31 | 1.69  | 1.20  |  |
| E42                     | 18.8                             | 29.7 | 41.9 | 60.7 | 81.1 | 102   | E42                     | 8.33   | 6.45 | 4.91 | 3.66  | 2.65  |  |
| <b>REFRIGERANT 407C</b> |                                  |      |      |      |      |       | <b>REFRIGERANT 407C</b> |  |      |      |       |       |  |
| A3 & E3                 | 0.24                             | 0.38 | 0.55 | 0.76 | 0.96 | 1.06  | A3 & E3                 | 0.10   | 0.08 | 0.06 | 0.04  | ---   |  |
| E5                      | 0.44                             | 0.71 | 1.00 | 1.80 | 2.31 | 2.58  | E5                      | 0.20   | 0.16 | 0.12 | 0.09  | ---   |  |
| B6 & E6                 | 0.83                             | 1.30 | 1.83 | 3.05 | 3.78 | 3.98  | B6 & E6                 | 0.39   | 0.30 | 0.23 | 0.17  | ---   |  |
| B9 & E9                 | 1.34                             | 2.10 | 2.97 | 4.58 | 6.08 | 7.49  | B9 & E9                 | 0.62   | 0.48 | 0.36 | 0.27  | ---   |  |
| B10 & E10               | 1.81                             | 2.86 | 4.05 | 6.95 | 8.96 | 10.21 | B10 & E10               | 0.85   | 0.66 | 0.50 | 0.37  | ---   |  |
| B14 & E14               | 2.59                             | 4.08 | 5.76 | 9.57 | 12.6 | 15.0  | B14 & E14               | 1.21   | 0.94 | 0.72 | 0.54  | ---   |  |
| B19 & E19               | 3.88                             | 6.16 | 8.74 | 14.2 | 18.7 | 22.7  | B19 & E19               | 1.80   | 1.40 | 1.06 | 0.79  | ---   |  |
| B25 & E25               | 6.66                             | 10.6 | 15.0 | 22.7 | 29.9 | 36.3  | B25 & E25               | 3.06   | 2.37 | 1.81 | 1.35  | ---   |  |
| E35                     | 9.79                             | 16.1 | 23.6 | 39.6 | 52.7 | 64.9  | E35                     | 4.27   | 3.25 | 2.43 | 1.77  | ---   |  |
| E42                     | 20.7                             | 32.7 | 46.3 | 66.1 | 87.3 | 106   | E42                     | 8.92   | 6.92 | 5.27 | 3.92  | ---   |  |
| <b>REFRIGERANT 502</b>  |                                  |      |      |      |      |       | <b>REFRIGERANT 502</b>  |  |      |      |       |       |  |
| A3 & E3                 | 0.19                             | 0.31 | 0.45 | 0.62 | 0.80 | 0.91  | A3 & E3                 | 0.09   | 0.07 | 0.05 | 0.04  | 0.03  |  |
| E5                      | 0.36                             | 0.57 | 0.81 | 1.47 | 1.90 | 2.20  | E5                      | 0.17   | 0.14 | 0.11 | 0.08  | 0.06  |  |
| B6 & E6                 | 0.66                             | 1.04 | 1.46 | 2.49 | 3.14 | 3.41  | B6 & E6                 | 0.33   | 0.26 | 0.20 | 0.15  | 0.11  |  |
| B9 & E9                 | 1.07                             | 1.69 | 2.38 | 3.71 | 4.97 | 6.24  | B9 & E9                 | 0.52   | 0.41 | 0.32 | 0.24  | 0.18  |  |
| B10 & E10               | 1.46                             | 2.30 | 3.26 | 5.66 | 7.38 | 8.68  | B10 & E10               | 0.72   | 0.57 | 0.44 | 0.33  | 0.25  |  |
| B14 & E14               | 2.08                             | 3.28 | 4.63 | 7.77 | 10.3 | 12.6  | B14 & E14               | 1.03   | 0.81 | 0.63 | 0.47  | 0.35  |  |
| B19 & E19               | 3.13                             | 4.97 | 7.05 | 11.5 | 15.3 | 19.0  | B19 & E19               | 1.54   | 1.21 | 0.93 | 0.70  | 0.52  |  |
| B25 & E25               | 5.37                             | 8.51 | 12.1 | 18.4 | 24.5 | 30.3  | B25 & E25               | 2.60   | 2.04 | 1.58 | 1.19  | 0.88  |  |
| E35                     | 8.03                             | 13.2 | 19.3 | 32.2 | 43.1 | 54.1  | E35                     | 3.72   | 2.87 | 2.17 | 1.61  | 1.16  |  |
| E42                     | 16.7                             | 26.4 | 37.3 | 53.7 | 71.4 | 88.4  | E42                     | 7.59   | 5.95 | 4.60 | 3.48  | 2.57  |  |
| <b>REFRIGERANT 507</b>  |                                  |      |      |      |      |       | <b>REFRIGERANT 507</b>  |  |      |      |       |       |  |
| A3 & E3                 | 0.21                             | 0.34 | 0.49 | 0.68 | 0.89 | 1.04  | A3 & E3                 | 0.09   | 0.07 | 0.06 | 0.04  | 0.03  |  |
| E5                      | 0.39                             | 0.63 | 0.89 | 1.62 | 2.12 | 2.51  | E5                      | 0.19   | 0.15 | 0.11 | 0.08  | 0.06  |  |
| B6 & E6                 | 0.73                             | 1.14 | 1.60 | 2.75 | 3.52 | 3.92  | B6 & E6                 | 0.36   | 0.28 | 0.21 | 0.16  | 0.12  |  |
| B9 & E9                 | 1.18                             | 1.85 | 2.61 | 4.09 | 5.50 | 6.99  | B9 & E9                 | 0.56   | 0.44 | 0.33 | 0.25  | 0.18  |  |
| B10 & E10               | 1.60                             | 2.52 | 3.57 | 6.24 | 8.21 | 9.86  | B10 & E10               | 0.78   | 0.60 | 0.46 | 0.34  | 0.25  |  |
| B14 & E14               | 2.28                             | 3.59 | 5.07 | 8.56 | 11.4 | 14.2  | B14 & E14               | 1.11   | 0.86 | 0.66 | 0.49  | 0.36  |  |
| B19 & E19               | 3.43                             | 5.45 | 7.72 | 12.7 | 17.0 | 21.3  | B19 & E19               | 1.65   | 1.28 | 0.98 | 0.73  | 0.53  |  |
| B25 & E25               | 5.88                             | 9.30 | 13.2 | 20.3 | 27.1 | 34.1  | B25 & E25               | 2.80   | 2.17 | 1.66 | 1.24  | 0.90  |  |
| E35                     | 8.81                             | 14.3 | 21.2 | 35.5 | 47.8 | 60.8  | E35                     | 4.00   | 3.04 | 2.28 | 1.67  | 1.19  |  |
| E42                     | 18.3                             | 28.9 | 40.8 | 59.1 | 79.1 | 99.3  | E42                     | 8.16   | 6.33 | 4.83 | 3.61  | 2.62  |  |

\*Minimum operating capacity is at one psi pressure drop for pilot operated valves.

## EVAPORATOR TEMPERATURE CORRECTION FACTORS

| Evaporator Temperature °F | 40   | 30   | 20   | 10   | 0    | -10  | -20  | -30  | -40  |
|---------------------------|------|------|------|------|------|------|------|------|------|
| Multiplier                | 1.00 | 0.96 | 0.93 | 0.90 | 0.87 | 0.84 | 0.81 | 0.78 | 0.75 |

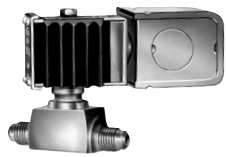
Capacities based on 100°F condensing temperature, isentropic compression plus 50°F, 40°F evaporator and 65°F suction gas. For capacities at other conditions use the multipliers in table at left.

# Types A3, E3 and E5 Series

22, 134a, 401A, 402A, 404A, 407C, 502, 507



Type A3P1



Type A3F1



Type E3S130 or E5S130

UL and SP Listed  
CE Approved

## Application

**Types A3 and E3 series** are hermetic, direct-acting type solenoid valves primarily for refrigeration and air conditioning applications. The flow rate of the E3 and A3 are identical, therefore, the E3 may be freely substituted for the A3.

The **E5 series** are compact solenoid valves with pilot operated disc construction and are rated at 2.8 tons R-22 at 3 psi pressure drop vs. 1.6 for the A3S1. These valves **may be mounted horizontally, on their side or in a vertical line.**

The **Types E3 and E5 series** solenoid valves feature extended solder type connections as standard. One important benefit to the user is that all valves in the “**E3**” and “**E5**” series can be installed using either low or no silver content brazing alloy.

The MKC-1 coil is Class “F” temperature rated and is provided as standard, therefore a high temperature coil is not required for discharge service.

## Ordering Instructions

When ordering complete valves, specify Valve Type, Connections, Voltage and Cycles.

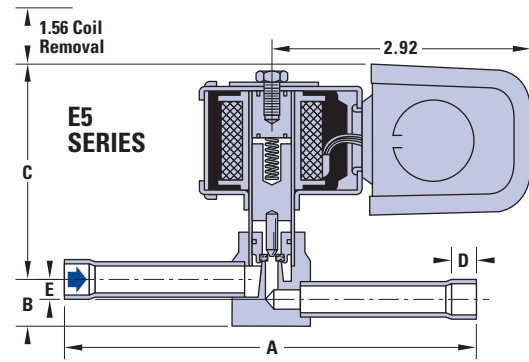
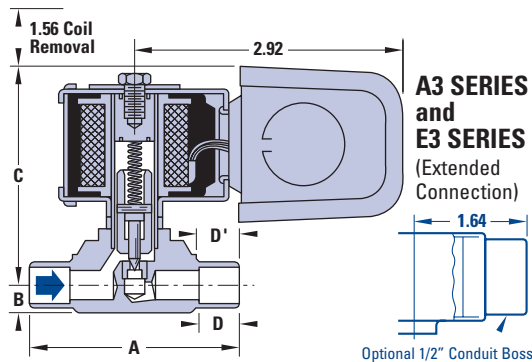
When ordering Body Assembly, specify Valve Type and Connections.

When ordering Coil Assembly ONLY, specify Coil Type, Voltage and Cycles.

**Example: MKC-1 120/50-60.**

## Dimensions – Inches

| VALVE SERIES | TYPE   | A       | B    | C    | FITTING DEPTH |      | E<br>OFFSET |  |
|--------------|--------|---------|------|------|---------------|------|-------------|--|
|              |        |         |      |      | D             | D'   |             |  |
|              |        |         |      |      | ODF           | ODM  |             |  |
| A3           | A3P1   | 1.88    | 0.44 | 2.20 | -             |      | -           |  |
|              | A3S1   | 1/4 ODF | 2.07 | 0.28 | 2.36          | 0.44 |             |  |
|              |        | 3/8 ODF | 2.25 |      |               |      |             |  |
|              | A3F1   | 2.38    | 0.22 | 2.42 | -             |      |             |  |
| E3           | E3S120 | 4.63    | 0.55 | 2.04 | 0.31          | -    | 0.28        |  |
|              | E3S130 | 4.56    | 0.49 | 2.10 |               |      | 0.19        |  |
| E5           | E5S120 | 4.63    | 0.53 | 2.48 | 0.31          | -    | 0.23        |  |
|              | E5S130 | 4.56    |      |      |               |      |             |  |



## Specifications – MKC-1 Coil

| VALVE SERIES | TYPE   | CONNECTIONS<br>Inches<br>Sizes shown in BLUE will be furnished unless otherwise specified. | PORT SIZE<br>Inches | MOPD<br>psi |     | NOMINAL LIQUID CAPACITIES<br>Tons of Refrigeration |      |      |      |      |      |                       |                | COIL RATINGS  |    |    |
|--------------|--------|--|---------------------|-------------|-----|--|------|------|------|------|------|-----------------------|----------------|---|----|----|
|              |        |  |                     |             |     | REFRIGERANTS                                       |      |      |      |      |      |                       |                |   |    |    |
|              |        |  |                     |             |     | 22   | 134a | 401A | 402A | 404A | 407C | 502                   | 507            |   |    |    |
|              |        |  |                     |             |     | Pressure Drop – psi                                |      |      |      |      |      |                       |                |   |    |    |
| AC           | DC     | 3  | 2                   | 2           | 3   | 3  | 3    | 3    | 3    | 3    | 3    | STANDARD VOLTS/CYCLES | WATTS<br>AC DC |   |    |    |
| A3           | A3P1   | 3/8 NPT Female   | .101                | 300         | 175 | 1.6  | 1.2  | 1.3  | 1.1  | 1.1  | 1.5  | 1.0                   | 1.0            | 24/50-60<br>120/50-60<br>208-240/50-60<br>120-208-240/50-60 | 10 | 15 |
|              | A3S1   | 1/4 ODF - 3/8 ODM & 3/8 ODF - 1/2 ODM  |                     |             |     |  |      |      |      |      |      |                       |                |   |    |    |
|              | A3F1   | 1/4 SAE Flare  |                     |             |     |  |      |      |      |      |      |                       |                |   |    |    |
| E3           | E3S120 | 1/4 ODF X 1/4 ODF  | .150                | 300         | 175 | 2.8  | 2.1  | 2.3  | 1.9  | 1.9  | 2.6  | 1.8                   | 1.8            |   |    |    |
|              | E3S130 | 3/8 ODF X 3/8 ODF  |                     |             |     |  |      |      |      |      |      |                       |                |   |    |    |
| E5           | E5S120 | 1/4 ODF X 1/4 ODF  | .150                | 300         | 175 | 2.8  | 2.1  | 2.3  | 1.9  | 1.9  | 2.6  | 1.8                   | 1.8            |   |    |    |
|              | E5S130 | 3/8 ODF X 3/8 ODF  |                     |             |     |  |      |      |      |      |      |                       |                |   |    |    |

- Maximum rated pressure 500 psi.
- Dual voltage 4-wire coils, 120-208-240/50-60 are available at slight additional cost. For other voltages and cycles, consult Sporlan, Washington, MO 63090.
- See Pages 19 and 20 for water and steam valves.

- Available with conduit boss or junction box at no extra charge.
- For capacity at other pressure drops, see Pages 4 and 5.
- For mounting holes and/or bracket information see Bulletin 30-11.
- E3 and E5 series with mounting holes are NOT standard.

22, 134a, 401A, 402A, 404A, 407C, 502, 507

# Types B6 and E6 Series

## Application

**Types B6 and E6 Series** are compact solenoid valves with pilot operated disc construction for refrigeration and air conditioning. These valves **may be mounted horizontally, on their side or in a vertical line.** They are suitable for suction line service because very low pressure differential, 1 psi, is required for full operation.

The **Type E6** series solenoid valves feature extended solder type connections as standard. One important benefit to the user is that all valves in the **“E6”** series can be installed without disassembly using either low or no silver content brazing alloy.

The MKC-1 coil is Class “F” temperature rated and is provided as standard, therefore a high temperature coil is not required for discharge service.

## Ordering Instructions

When ordering complete valves, specify Valve Type, Connections, Voltage and Cycles.

When ordering Body Assembly, specify Valve Type and Connections.

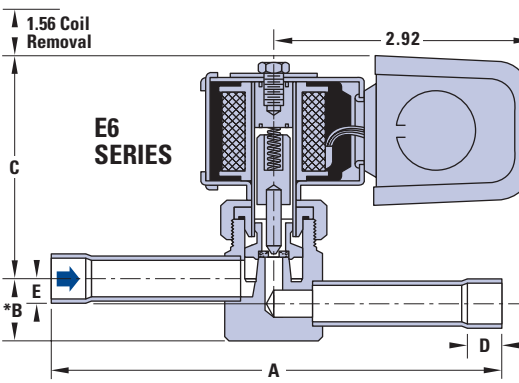
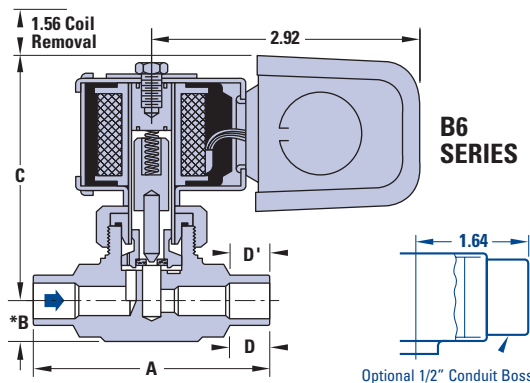
When ordering Coil Assembly ONLY, specify Coil Type, Voltage and Cycles.

**Example: MKC-1 120/50-60.**

## Dimensions – Inches

| VALVE SERIES | TYPE   | A       | *B   | C    | FITTING DEPTH |     | E    |
|--------------|--------|---------|------|------|---------------|-----|------|
|              |        |         |      |      | ODF           | ODM |      |
|              |        |         |      |      | OFFSET        |     |      |
| B6           | B6P1   | 1.94    | 0.44 | 2.66 | -             |     | -    |
|              | B6S1   | 3/8 ODF |      |      | 0.44          |     |      |
|              |        | 1/2 ODF |      |      | 0.50          |     |      |
|              | B6F1   | -       |      |      |               |     |      |
| E6           | E6S130 | 4.63    | 0.75 | 2.44 | 0.31          | -   | 0.31 |
|              | E6S140 | 5.00    |      |      | 0.38          |     |      |

\*Add 1.12" for Valves with Manual Lift Stem.



Type B6S1



Type E6S130



Type B6F1

UL and SF Listed  
CE Approved

## Specifications – MKC-1 Coil

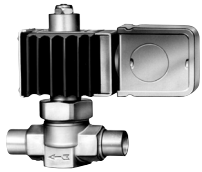
| VALVE SERIES | TYPE    | CONNECTIONS<br>Inches<br>Sizes shown in BLUE will be furnished unless otherwise specified. | PORT SIZE<br>Inches | MOPD<br>psi |     | NOMINAL LIQUID CAPACITIES<br>Tons of Refrigeration |      |      |      |      |                       |                |     | COIL RATINGS  |    |    |
|--------------|---------|--|---------------------|-------------|-----|--|------|------|------|------|-----------------------|----------------|-----|---|----|----|
|              |         |  |                     |             |     | REFRIGERANTS                                       |      |      |      |      |                       |                |     |   |    |    |
|              |         |  |                     |             |     | 22   | 134a | 401A | 402A | 404A | 407C                  | 502            | 507 |   |    |    |
|              |         |  |                     |             |     | Pressure Drop – psi                                |      |      |      |      |                       |                |     |   |    |    |
| AC           | DC      | 3  | 2                   | 2           | 3   | 3  | 3    | 3    | 3    | 3    | STANDARD VOLTS/CYCLES | WATTS<br>AC DC |     |   |    |    |
| B6           | B6P1    | 3/8 NPT Female   | 3/16                | 300         | 175 | 4.9  | 3.8  | 4.1  | 3.3  | 3.3  | 4.5                   | 3.2            | 3.2 | 24/50-60<br>120/50-60<br>208-240/50-60<br>120-208-240/50-60 | 10 | 15 |
|              | B6S1    | 3/8 ODF - 1/2 ODM &<br>1/2 ODF - 5/8 ODM   |                     |             |     |  |      |      |      |      |                       |                |     |   |    |    |
|              | MB6S1   |  |                     |             |     |  |      |      |      |      |                       |                |     |   |    |    |
|              | B6F1    | 3/8 SAE Flare  |                     |             |     |  |      |      |      |      |                       |                |     |   |    |    |
| MB6F1        |         |  |                     |             |     |  |      |      |      |      |                       |                |     |   |    |    |
| E6           | E6S130  | 3/8 ODF X 3/8 ODF  | 3/16                | 300         | 175 | 4.9  | 3.8  | 4.1  | 3.3  | 3.3  | 4.5                   | 3.2            | 3.2 | 24/50-60<br>120/50-60<br>208-240/50-60<br>120-208-240/50-60 | 10 | 15 |
|              | ME6S130 |  |                     |             |     |  |      |      |      |      |                       |                |     |   |    |    |
|              | E6S140  | 1/2 ODF X 1/2 ODF  |                     |             |     |  |      |      |      |      |                       |                |     |   |    |    |
|              | ME6S140 |  |                     |             |     |  |      |      |      |      |                       |                |     |   |    |    |

- Maximum rated pressure 500 psi.
- Dual voltage 4-wire coils, 120-208-240/50-60 are available at slight additional cost. For other voltages and cycles, consult Spolran, Washington, MO 63090.
- See Pages 19 and 20 for water and steam valves.

- Available with conduit boss or junction box at no extra charge.
- For capacity at other pressure drops, see Pages 4 and 5.
- For mounting holes and/or bracket information see Bulletin 30-11.
- E6 series with mounting holes are NOT standard.

# Types B9 and E9 Series

22, 134a, 401A, 402A, 404A, 407C, 502, 507



Type OB9S2  
Normally Open



Type MB9S2  
Normally Closed



Type E9S240  
Normally Closed

UL and SP Listed  
CE Approved

## Application

**Types B9 and E9 Series** are compact solenoid valves with pilot operated disc construction for refrigeration and air conditioning. These valves **may be mounted horizontally, on their side or in a vertical line.** These valves are also suitable for suction line service because very low pressure differential, 1 psi, is required for full operation.

The **Type E9** series solenoid valves feature extended solder type connections as standard. One important benefit to the user is that all valves in the **"E9"** series can be installed without disassembly using either low or no silver content brazing alloy.

The MKC-2 and OMKC-2 coils are Class "F" temperature rated and are provided as standard, therefore a high temperature coil is not required for discharge service.

## Ordering Instructions

When ordering complete valves, specify Valve Type, Connections, Voltage and Cycles.

When ordering Body Assembly, specify Valve Type and Connections.

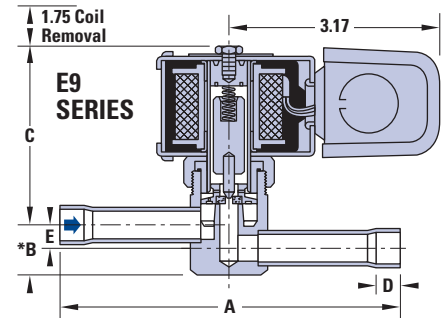
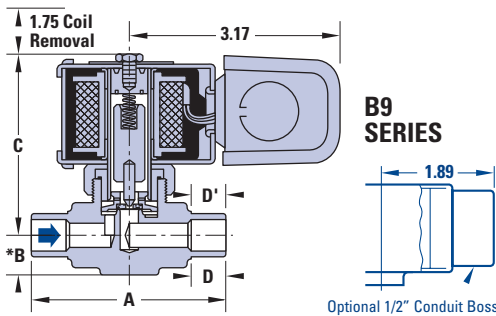
When ordering Coil Assembly ONLY, specify Coil Type, Voltage and Cycles.

**Example: MKC-2 120/50-60; OMKC-2 120/50-60.**

## Dimensions – Inches

| VALVE SERIES | TYPE   | A    | *B   | C               |               | D             |     | E    |
|--------------|--------|------|------|-----------------|---------------|---------------|-----|------|
|              |        |      |      | NORMALLY CLOSED | NORMALLY OPEN | FITTING DEPTH |     |      |
|              |        |      |      |                 |               | ODF           | ODM |      |
| B9           | B9P2   | 2.06 | 0.56 | 2.75            | 3.36          | -             |     | -    |
|              | B9S2   | 2.88 |      |                 |               | 0.50          |     |      |
|              | B9F2   | 2.88 |      |                 |               | -             |     |      |
| E9           | E9S230 | 4.63 | 0.81 | 2.65            | 3.24          | 0.31          | -   | 0.38 |
|              | E9S240 | 5.00 | 0.75 | 2.70            | 3.30          | 0.38          | -   | 0.31 |
|              | E9S250 | 6.50 | 0.69 | 2.24            | 3.33          | 0.50          | -   |      |

\*Add 1.12" for Valves with Manual Lift Stem.



## Specifications – MKC-2 and OMKC-2 Coil

| VALVE SERIES | TYPE    | STANDARD CONNECTIONS<br>Inches | PORT SIZE<br>Inches | MOPD<br>psi |     | NOMINAL LIQUID CAPACITIES<br>Tons of Refrigeration |      |      |      |      |                       |                | COIL RATINGS |   |    |     |
|--------------|---------|--------------------------------|---------------------|-------------|-----|--|------|------|------|------|-----------------------|----------------|--------------|---|----|-----|
|              |         |                                |                     |             |     | REFRIGERANTS                                       |      |      |      |      |                       |                |              |   |    |     |
|              |         |                                |                     |             |     | 22   | 134a | 401A | 402A | 404A | 407C                  | 502            |              |   |    | 507 |
|              |         |                                |                     |             |     | Pressure Drop – psi                                |      |      |      |      |                       |                |              |   |    |     |
| AC           | DC      | 3                              | 2                   | 2           | 3   | 3  | 3    | 3    | 3    | 3    | STANDARD VOLTS/CYCLES | WATTS<br>AC DC |              |   |    |     |
| B9           | B9P2    | 3/8 NPT Female                 | 9/32                | 300         | 250 | 8.1  | 6.2  | 6.6  | 5.3  | 5.4  | 7.4                   | 5.2            | 5.2          | 24/50-60<br>120/50-60<br>208-240/50-60<br>120-208-240/50-60 | 15 | 18  |
|              | B9S2    | 1/2 ODF - 5/8 ODM              |                     | 300         | 250 |  |      |      |      |      |                       |                |              |   |    |     |
|              | MB9S2   |                                |                     | 275         |     |  |      |      |      |      |                       |                |              |   |    |     |
|              | OB9S2   |                                |                     |             |     |  |      |      |      |      |                       |                |              |   |    |     |
|              | B9F2    | 3/8 SAE Flare                  |                     | 300         | 250 |  |      |      |      |      |                       |                |              |   |    |     |
| MB9F2        |         |                                |                     |             |     |  |      |      |      |      |                       |                |              |   |    |     |
| E9           | E9S230  | 3/8 ODF X 3/8 ODF              | 9/32                | 300         | 250 | 8.1  | 6.2  | 6.6  | 5.3  | 5.4  | 7.4                   | 5.2            | 5.2          | 24/50-60<br>120/50-60<br>208-240/50-60<br>120-208-240/50-60 | 15 | 18  |
|              | ME9S230 |                                |                     |             |     |  |      |      |      |      |                       |                |              |   |    |     |
|              | OE9S230 |                                |                     |             |     |  |      |      |      |      |                       |                |              |   |    |     |
|              | E9S240  | 1/2 ODF X 1/2 ODF              |                     | 275         |     |  |      |      |      |      |                       |                |              |   |    |     |
|              | ME9S240 |                                |                     |             |     |  |      |      |      |      |                       |                |              |   |    |     |
|              | OE9S240 |                                |                     |             |     |  |      |      |      |      |                       |                |              |   |    |     |
|              | ME9S250 | 5/8 ODF X 5/8 ODF              |                     | 300         | 250 |  |      |      |      |      |                       |                |              |   |    |     |
| OE9S250      | 275     |                                |                     |             |     |  |      |      |      |      |                       |                |              |   |    |     |

- Maximum rated pressure 500 psi.
- Dual voltage 4-wire coils, 120-208-240/50-60 are available at slight additional cost. For other voltages and cycles, consult Sporlan, Washington, MO 63090.
- See Pages 19 and 20 for water and steam valves.

- Available with conduit boss or junction box at no extra charge.
- For capacity at other pressure drops, see Pages 4 and 5.
- For mounting holes and/or bracket information see Bulletin 30-11.
- E9 series with mounting holes are NOT standard.

22, 134a, 401A, 402A, 404A, 407C, 502, 507

# Types B10 and E10 Series

## Application

**Types B10 and E10 Series** are compact solenoid valves with pilot operated disc construction for refrigeration and air conditioning. These valves **may be mounted horizontally, on their side or in a vertical line.** They are suitable for suction line service because very low pressure differential, 1 psi, is required for full operation.

The **Type E10** series solenoid valves feature extended solder type connections as standard. One important benefit to the user is that all valves in the **"E10"** series can be installed without disassembly using either low or no silver content brazing alloy.

The MKC-2 and OMKC-2 coil are Class "F" temperature rated and are provided as standard, therefore a high temperature coil is not required for discharge service.

## Ordering Instructions

When ordering complete valves, specify Valve Type, Connections, Voltage and Cycles.

When ordering Body Assembly, specify Valve Type and Connections.

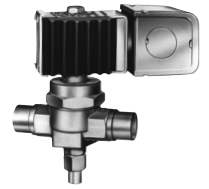
When ordering Coil Assembly ONLY, specify Coil Type, Voltage and Cycles.

**Example: MKC-2 120/50-60; OMKC-2 120/50-60.**

## Dimensions – Inches

| VALVE SERIES | TYPE    | A    | *B   | C               |               | D             |      | E    |
|--------------|---------|------|------|-----------------|---------------|---------------|------|------|
|              |         |      |      | NORMALLY CLOSED | NORMALLY OPEN | FITTING DEPTH |      |      |
|              |         |      |      |                 |               | ODF           | ODM  |      |
| B10          | B10S2   | 3.25 | 0.59 | 3.15            | 3.44          | 0.62          | 0.50 | -    |
|              | B10F2   |      |      |                 |               | -             |      |      |
| E10          | E10S240 | 5.00 | 0.86 | 3.13            | 3.42          | 0.38          | -    | 0.39 |
|              | E10S250 | 6.50 |      |                 |               | 0.50          |      |      |

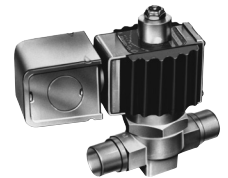
\*Add 1.12" for Valves with Manual Lift Stem.



Type MB10S2  
Normally Closed

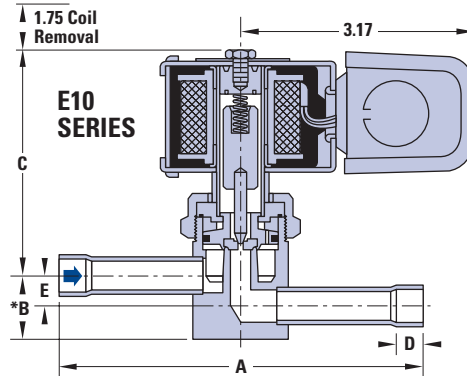
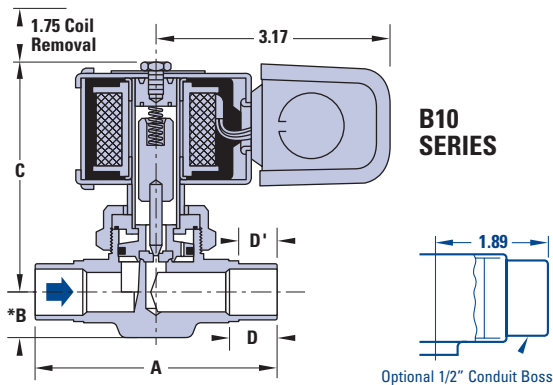


Type E10S250  
Normally Closed



Type OB10S2  
Normally Open

UL and CE Listed  
CE Approved



## Specifications – MKC-2 and OMKC-2 Coil

| VALVE SERIES | TYPE     | STANDARD CONNECTIONS Inches | PORT SIZE Inches | MOPD psi |     | NOMINAL LIQUID CAPACITIES<br>Tons of Refrigeration |      |      |      |      |      |     |     | COIL RATINGS  |       |    |
|--------------|----------|-----------------------------|------------------|----------|-----|--|------|------|------|------|------|-----|-----|---|-------|----|
|              |          |                             |                  | AC       | DC  | REFRIGERANTS                                       |      |      |      |      |      |     |     | STANDARD VOLTS/CYCLES                                       | WATTS |    |
|              |          |                             |                  |          |     | 22   | 134a | 401A | 402A | 404A | 407C | 502 | 507 |   | AC    | DC |
|              |          |                             |                  |          |     | Pressure Drop – psi                                |      |      |      |      |      |     |     |   |       |    |
| B10          | B10S2    | 5/8 ODF - 3/4 ODM           | 5/16             | 300      | 250 | 11.1   | 8.5  | 9.1  | 7.3  | 7.3  | 10.2 | 7.2 | 7.2 | 24/50-60<br>120/50-60<br>208-240/50-60<br>120-208-240/50-60 | 15    | 18 |
|              | MB10S2   |                             |                  |          |     |  |      |      |      |      |      |     |     |   |       |    |
|              | B10F2    | 1/2 SAE Flare               |                  | 300      | 250 |  |      |      |      |      |      |     |     |   |       |    |
|              | MB10F2   |                             |                  |          |     |  |      |      |      |      |      |     |     |   |       |    |
| E10          | E10S240  | 1/2 ODF X 1/2 ODF           | 5/16             | 300      | 250 | 11.1   | 8.5  | 9.1  | 7.3  | 7.3  | 10.2 | 7.2 | 7.2 | 24/50-60<br>120/50-60<br>208-240/50-60<br>120-208-240/50-60 | 15    | 18 |
|              | ME10S240 |                             |                  |          |     |  |      |      |      |      |      |     |     |   |       |    |
|              | OE10S240 |                             |                  |          |     |  |      |      |      |      |      |     |     |   |       |    |
|              | E10S250  | 5/8 ODF X 5/8 ODF           |                  | 300      | 250 |  |      |      |      |      |      |     |     |   |       |    |
|              | ME10S250 |                             |                  |          |     |  |      |      |      |      |      |     |     |   |       |    |
|              | OE10S250 |                             |                  |          |     |  |      |      |      |      |      |     |     |   |       |    |

- Maximum rated pressure 500 psi.
- Dual voltage 4-wire coils, 120-208-240/50-60 are available at slight additional cost. For other voltages and cycles, consult Sporlan, Washington, MO 63090.
- See Pages 19 and 20 for water and steam valves.

- Available with conduit boss or junction box at no extra charge.
- For capacity at other pressure drops, see Pages 4 and 5.
- For mounting holes and/or bracket information see Bulletin 30-11.

# Types B14 and E14 Series

22, 134a, 401A, 402A, 404A, 407C, 502, 507



Type E14S250  
Normally Closed



Type MB14S2  
Normally Closed



Type OB14S2  
Normally Open

UL and SP Listed  
CE Approved

## Application

**Types B14 and E14 Series** are compact solenoid valves with pilot operated disc construction for refrigeration and air conditioning. These valves **may be mounted horizontally, on their side or in a vertical line**. These valves are also suitable for suction line service because very low pressure differential, 1 psi, is required for full operation.

The **Type E14** series solenoid valves feature extended solder type connections as standard. One important benefit to the user is that all valves in the **"E14"** series can be installed without disassembly using either low or no silver content brazing alloy.

The MKC-2 and OMKC-2 coils are Class "F" temperature rated and are provided as standard, therefore a high temperature coil is not required for discharge service.

## Ordering Instructions

When ordering complete valves, specify Valve Type, Connections, Voltage and Cycles.

When ordering Body Assembly, specify Valve Type and Connections.

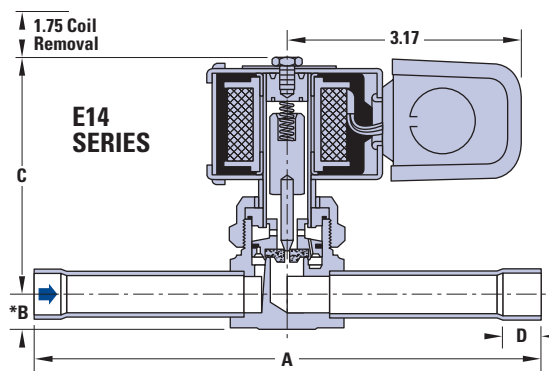
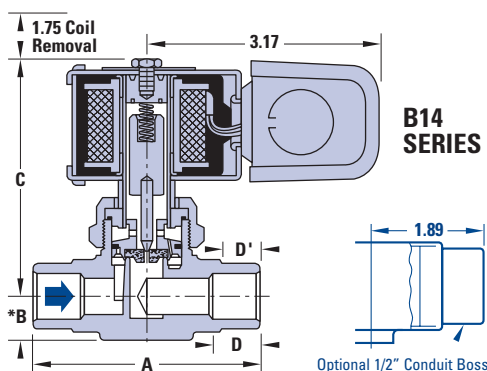
When ordering Coil Assembly ONLY, specify Coil Type, Voltage and Cycles.

**Example: MKC-2 120/50-60; OMKC-2 120/50-60.**

## Dimensions – Inches

| VALVE SERIES | TYPE    | A    | *B   | C               |               | D D'          |      |
|--------------|---------|------|------|-----------------|---------------|---------------|------|
|              |         |      |      | NORMALLY CLOSED | NORMALLY OPEN | FITTING DEPTH |      |
|              |         |      |      | ODF             | ODM           |               |      |
| <b>B14</b>   | B14P2   | 2.41 | 0.56 | 3.28            | 3.62          | -             |      |
|              | B14S2   | 3.00 |      |                 |               | 0.62          | 0.50 |
| <b>E14</b>   | E14S250 | 6.88 | 0.47 | 3.25            | 3.51          | 0.50          | -    |

\*Add 1.12" for Valves with Manual Lift Stem.



## Specifications – MKC-2 and OMKC-2 Coil

| VALVE SERIES | TYPE     | STANDARD CONNECTIONS Inches | PORT SIZE Inches | MOPD psi |     | NOMINAL LIQUID CAPACITIES<br>Tons of Refrigeration |      |      |      |      |      |      | COIL RATINGS |   |    |    |
|--------------|----------|-----------------------------|------------------|----------|-----|--|------|------|------|------|------|------|--------------|---|----|----|
|              |          |                             |                  |          |     | REFRIGERANTS                                       |      |      |      |      |      |      |              |   |    |    |
|              |          |                             |                  |          |     | 22   | 134a | 401A | 402A | 404A | 407C | 502  | 507          | STANDARD VOLTS/CYCLES                                       |    |    |
|              |          |                             |                  |          |     | Pressure Drop – psi                                |      |      |      |      |      |      | WATTS        |   |    |    |
|              |          |                             |                  | 3        | 2   | 2  | 3    | 3    | 3    | 3    | 3    | AC   |              | DC  |    |    |
| <b>B14</b>   | B14P2    | 1/2 NPT Female              | 7/16             | 300      | 250 | 15.8   | 12.0 | 12.9 | 10.4 | 10.4 | 14.5 | 10.2 | 10.2         | 24/50-60<br>120/50-60<br>208-240/50-60<br>120-208-240/50-60 | 15 | 18 |
|              | B14S2    | 5/8 ODF - 7/8 ODM           |                  | 300      | 250 |  |      |      |      |      |      |      |              |   |    |    |
|              | MB14S2   |                             |                  | 275      |     |  |      |      |      |      |      |      |              |   |    |    |
|              | OB14S2   |                             |                  |          |     |  |      |      |      |      |      |      |              |   |    |    |
| <b>E14</b>   | E14S250  | 5/8 ODF X 5/8 ODF           | 7/8              | 300      | 250 | 15.8   | 12.0 | 12.9 | 10.4 | 10.4 | 14.5 | 10.2 | 10.2         | 24/50-60<br>120/50-60<br>208-240/50-60<br>120-208-240/50-60 | 15 | 18 |
|              | ME14S250 |                             |                  | 275      |     |  |      |      |      |      |      |      |              |   |    |    |
|              | OE14S250 | 7/8 ODF X 7/8 ODF           |                  |          | 300 |  |      |      |      |      |      |      |              |   |    |    |
|              | E14S270  |                             |                  |          |     |  |      |      |      |      |      |      |              |   |    |    |
| ME14S270     |          |                             |                  |          |     |  |      |      |      |      |      |      |              |   |    |    |

- Maximum rated pressure 500 psi.
- Dual voltage 4-wire coils, 120-208-240/50-60 are available at slight additional cost. For other voltages and cycles, consult Sporlan, Washington, MO 63090.
- See Pages 19 and 20 for water and steam valves.

- Available with conduit boss or junction box at no extra charge.
- For capacity at other pressure drops, see Pages 4 and 5.
- For mounting holes and/or bracket information see Bulletin 30-11.

22, 134a, 401A, 402A, 404A, 407C, 502, 507

# Types B19 and E19 Series

## Application

**Types B19 and E19 Series** are pilot operated solenoid valves for refrigeration and air conditioning applications. They are suitable for suction service because very low pressure differential, 1 psi, is required for full operation. These valves **may be mounted horizontally, on their side or in a vertical line.**

The **Type E19** series solenoid valves feature extended solder type connections as standard. One important benefit to the user is that all valves in the “**E19**” series can be installed without disassembly using either low or no silver content brazing alloy.

The MKC-2 and OMKC-2 coil are Class “F” temperature rated and are provided as standard, therefore a high temperature coil is not required for discharge service.

## Ordering Instructions

When ordering complete valves, specify Valve Type, Connections, Voltage and Cycles.

When ordering Body Assembly, specify Valve Type and Connections.

When ordering Coil Assembly ONLY, specify Coil Type, Voltage and Cycles.

**Example: MKC-2 120/50-60; OMKC-2 120/50-60.**

## Dimensions – Inches

| VALVE SERIES | TYPE    |         | A    | *B   | C               |               | D             |      | D' |
|--------------|---------|---------|------|------|-----------------|---------------|---------------|------|----|
|              |         |         |      |      | NORMALLY CLOSED | NORMALLY OPEN | FITTING DEPTH |      |    |
|              |         |         |      |      |                 | ODF           | ODM           |      |    |
| B19          | B19P2   |         | 3.00 | 0.81 | 3.31            | 3.83          | -             |      |    |
|              | B19S2   | 5/8 ODF | 3.87 |      |                 |               | 0.88          | 0.75 |    |
|              |         | 7/8 ODF |      |      |                 |               |               |      |    |
| E19          | E19S250 |         | 6.88 | 3.41 | 3.87            | 0.50          |               |      |    |
|              | E19S270 |         | 7.13 |      |                 | 0.75          |               |      |    |

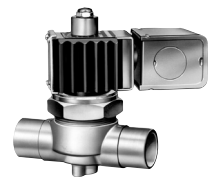
\*Add 1.12" for Valves with Manual Lift Stem.



Type E19S250  
Normally Closed

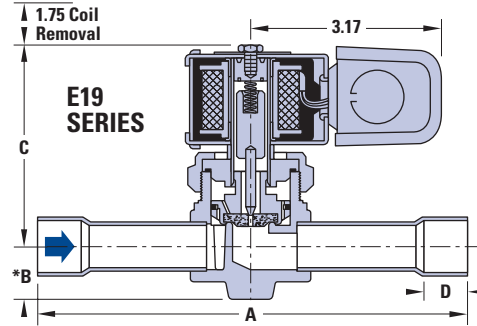
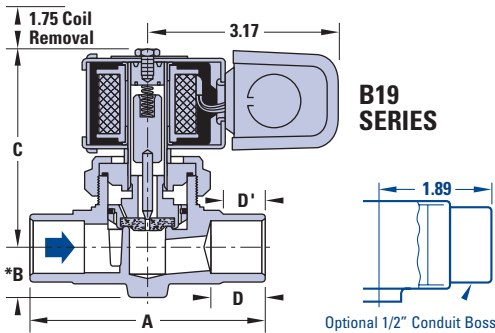


Type MB19S2  
Normally Closed



Type OB19S2  
Normally Open

UL and SF Listed  
CE Approved



## Specifications – MKC-2 and OMKC-2 Coil

| VALVE SERIES | TYPE     | CONNECTIONS<br>Inches<br>Sizes shown in BLUE will be furnished unless otherwise specified. | PORT SIZE<br>Inches | MOPD<br>psi |      | NOMINAL LIQUID CAPACITIES<br>Tons of Refrigeration |      |      |      |      |      |      |   | COIL RATINGS  |    |    |       |   |
|--------------|----------|--|---------------------|-------------|------|--|------|------|------|------|------|------|---|---|----|----|-------|---|
|              |          |  |                     |             |      | REFRIGERANTS                                       |      |      |      |      |      |      |   |   |    |    |       |   |
|              |          |  |                     |             |      | 22   | 134a | 401A | 402A | 404A | 407C | 502  | 507   | STANDARD VOLTS/CYCLES                                       |    |    | WATTS |   |
|              |          |  |                     |             |      | Pressure Drop – psi                                |      |      |      |      |      |      |   | 3   | 2  | 2  | 3     | 3 |
| B19          | B19P2    | 3/4 NPT Female   | 19/32               | 300         | 250  | 24.2   | 18.4 | 19.8 | 16.0 | 16.0 | 22.3 | 15.7 | 15.7  | 24/50-60<br>120/50-60<br>208-240/50-60<br>120-208-240/50-60 | 15 | 18 |       |   |
|              | B19S2    | 7/8 ODF - 1-1/8 ODM  |                     | 300         | 250  |  |      |      |      |      |      |      |   |   |    |    |       |   |
|              | MB19S2   |  |                     | 275         |      |  |      |      |      |      |      |      |   |   |    |    |       |   |
|              | OB19S2   |  |                     |             |      |  |      |      |      |      |      |      |   |   |    |    |       |   |
| E19          | E19S250  | 5/8 ODF X 5/8 ODF  | 300                 | 250         | 24.2 | 18.4   | 19.8 | 16.0 | 16.0 | 22.3 | 15.7 | 15.7 | 24/50-60<br>120/50-60<br>208-240/50-60<br>120-208-240/50-60 | 15  | 18 |    |       |   |
|              | ME19S250 | 7/8 ODF X 7/8 ODF  | 300                 | 250         |      |  |      |      |      |      |      |      |   |   |    |    |       |   |
|              | E19S270  |  | 275                 |             |      |  |      |      |      |      |      |      |   |   |    |    |       |   |
|              | ME19S270 |  |                     |             |      |  |      |      |      |      |      |      |   |   |    |    |       |   |
|              | OE19S270 |  |                     |             |      |  |      |      |      |      |      |      |   |   |    |    |       |   |
|              | ME19S290 | 1-1/8 ODF X 1-1/8 ODF  | 300                 | 250         |      |  |      |      |      |      |      |      |   |   |    |    |       |   |

- Maximum rated pressure 500 psi.
- Dual voltage 4-wire coils, 120-208-240/50-60 are available at slight additional cost. For other voltages and cycles, consult Sporlan, Washington, MO 63090.
- See Pages 19 and 20 for water and steam valves.

- Available with conduit boss or junction box at no extra charge.
- For capacity at other pressure drops, see Pages 4 and 5.
- For mounting holes and/or bracket information see Bulletin 30-11.

# Types B25 and E25 Series

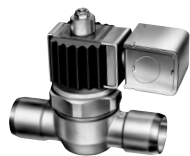
22, 134a, 401A, 402A, 404A, 407C, 502, 507



Type MB25S2  
Normally Closed



Type E25S290  
Normally Closed



Type OB25S2  
Normally Open

UL and SR Listed  
CE Approved

## Application

**Types B25 and E25 Series** are pilot operated solenoid valves for refrigeration and air conditioning applications. They are suitable for suction service because very low pressure differential, 1 psi, is required for full operation. These valves **may be mounted horizontally, on their side or in a vertical line.**

The **Type E25** series solenoid valves feature extended solder type connections as standard. One important benefit to the user is that all valves in the **“E25”** series can be installed without disassembly using either low or no silver content brazing alloy.

The MKC-2 and OMKC-2 coils are Class “F” temperature rated and are provided as standard, therefore a high temperature coil is not required for discharge service.

## Ordering Instructions

When ordering complete valves, specify Valve Type, Connections, Voltage and Cycles.

When ordering Body Assembly, specify Valve Type and Connections.

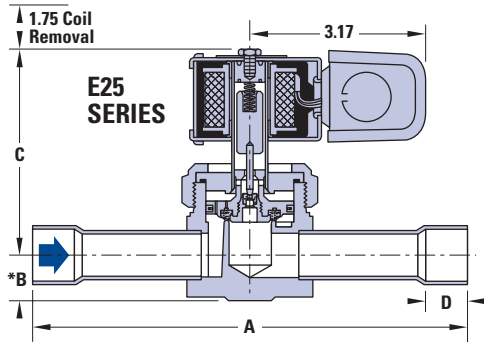
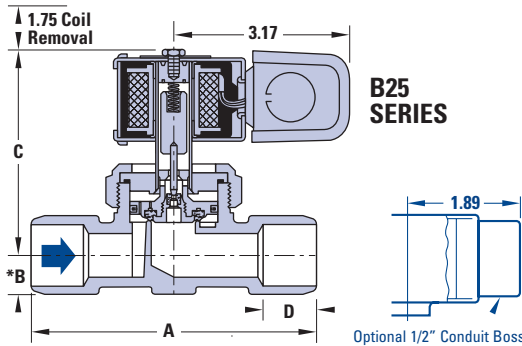
When ordering Coil Assembly **ONLY**, specify Coil Type, Voltage and Cycles.

**Example: MKC-2 120/50-60; OMKC-2 120/50-60.**

## Dimensions – Inches

| VALVE SERIES | TYPE    | A         | *B   | C               |               | D    |
|--------------|---------|-----------|------|-----------------|---------------|------|
|              |         |           |      | NORMALLY CLOSED | NORMALLY OPEN |      |
| B25          | B25P2   | 3.50      |      |                 |               | –    |
|              | B25S2   | 7/8 ODF   | 4.88 | 0.72            | 3.78          | 4.06 |
|              |         | 1-1/8 ODF |      |                 |               |      |
| E25          | E25S270 | 7.50      |      |                 |               | 0.75 |
|              | E25S290 | 8.50      |      |                 |               | 0.91 |

\*Add 1.12” for Valves with Manual Lift Stem.



## Specifications – MKC-2 and OMKC-2 Coil

| VALVE SERIES | TYPE     | CONNECTIONS<br>Inches<br>Sizes shown in BLUE will be furnished unless otherwise specified. | PORT SIZE<br>Inches | MOPD<br>psi |     | NOMINAL LIQUID CAPACITIES<br>Tons of Refrigeration |      |      |      |      |                       |       |      | COIL RATINGS  |    |    |
|--------------|----------|--|---------------------|-------------|-----|--|------|------|------|------|-----------------------|-------|------|---|----|----|
|              |          |  |                     |             |     | REFRIGERANTS                                       |      |      |      |      |                       |       |      |   |    |    |
|              |          |  |                     |             |     | 22   | 134a | 401A | 402A | 404A | 407C                  | 502   | 507  |   |    |    |
|              |          |  |                     |             |     | Pressure Drop – psi                                |      |      |      |      |                       |       |      |   |    |    |
| AC           | DC       | 3  | 2                   | 2           | 3   | 3  | 3    | 3    | 3    | 3    | STANDARD VOLTS/CYCLES | WATTS |      |   |    |    |
|              |          |  |                     |             |     |  |      |      |      |      |                       | AC    | DC   |   |    |    |
| B25          | B25S2    | 1-1/8 ODF Solder   | 25/32               | 300         | 250 | 41.4   | 31.5 | 33.8 | 27.3 | 27.4 | 38.0                  | 26.8  | 26.8 | 24/50-60<br>120/50-60<br>208-240/50-60<br>120-208-240/50-60 | 15 | 18 |
|              | MB25S2   | 7/8 ODF – 1-1/8 ODM & 1-1/8 ODF Solder   |                     |             |     |  |      |      |      |      |                       |       |      |   |    |    |
|              | OB25S2   | 1-1/8 ODF Solder   |                     |             |     |  |      |      |      |      |                       |       |      |   |    |    |
| E25          | E25S270  | 7/8 ODF X 7/8 ODF  | 25/32               | 300         | 250 | 41.4   | 31.5 | 33.8 | 27.3 | 27.4 | 38.0                  | 26.8  | 26.8 | 24/50-60<br>120/50-60<br>208-240/50-60<br>120-208-240/50-60 | 15 | 18 |
|              | ME25S270 |  |                     |             |     |  |      |      |      |      |                       |       |      |   |    |    |
|              | OE25S270 |  |                     |             |     |  |      |      |      |      |                       |       |      |   |    |    |
|              | E25S290  | 1-1/8 ODF X 1-1/8 ODF  |                     |             |     |  |      |      |      |      |                       |       |      |   |    |    |
|              | ME25S290 |  |                     |             |     |  |      |      |      |      |                       |       |      |   |    |    |
| OE25S290     |          |  |                     |             |     |  |      |      |      |      |                       |       |      |   |    |    |

- Maximum rated pressure 500 psi.
- Dual voltage 4-wire coils, 120-208-240/50-60 are available at slight additional cost. For other voltages and cycles, consult Sporlan, Washington, MO 63090.
- See Pages 19 and 20 for water and steam valves.

- Available with conduit boss or junction box at no extra charge.
- For capacity at other pressure drops, see Pages 4 and 5.
- For mounting holes and/or bracket information see Bulletin 30-11.



22, 134a, 401A, 402A, 404A, 407C, 502, 507

# Types E35 Series

## Application

**Types E35 Series** solenoid valves are pilot operated for refrigeration and air conditioning applications. They are suitable for suction service because very low pressure differential, 1 psi, is required for full operation. The **E35 Series may be mounted horizontally, on their side or in a vertical line.**

The **Type E35** series solenoid valves feature extended solder type connections as standard. One important benefit to the user is that all valves in the **“E35”** series can be installed without disassembly using either low or no silver content brazing alloy.

The MKC-1 and OMKC-1 coils are Class “F” temperature rated and are provided as standard, therefore a high temperature coil is not required for discharge service.

## Ordering Instructions

When ordering complete valves, specify Valve Type, Connections, Voltage and Cycles.

When ordering Body Assembly, specify Valve Type and Connections.

② 1-5/8” ODM Type L tubing may be slipped over 1-3/8” fitting, without the use of a coupling.

When ordering Coil Assembly ONLY, specify Coil Type, Voltage and Cycles.

**Example: MKC-1 120/50-60; OMKC-1 120/50-60.**

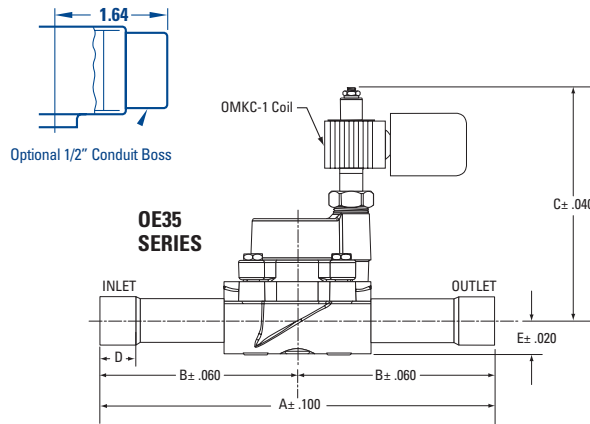
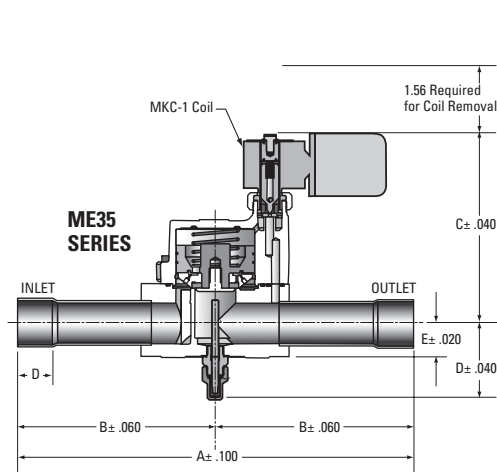
## Dimensions – Inches

| VALVE SERIES | TYPE     | FITTING SIZE | A     | B    | C               |               | D    | *E  |
|--------------|----------|--------------|-------|------|-----------------|---------------|------|-----|
|              |          | ODF          |       |      | NORMALLY CLOSED | NORMALLY OPEN |      |     |
| E35          | E35S190  | 1-1/8        | 10.06 | 4.81 | 4.81            | 5.94          | 0.91 | .84 |
|              | E35S1110 | 1-3/8        | 11.06 | 5.94 |                 |               | 0.97 | .84 |

\*Add 1.12” for E35 Series Valves with Manual Lift Stem.



Type ME35S1110  
Normally Closed



## Specifications – MKC-1 and OMKC-1 Coil

| VALVE SERIES | TYPE      | CONNECTIONS<br>Inches<br>Sizes shown in BLUE will be furnished unless otherwise specified. | PORT SIZE<br>Inches | MOPD<br>psi | NOMINAL LIQUID CAPACITIES<br>Tons of Refrigeration |      |      |      |      |      |      |      | COIL RATINGS          |   |    |    |       |  |
|--------------|-----------|--|---------------------|-------------|--|------|------|------|------|------|------|------|-----------------------|---|----|----|-------|--|
|              |           |  |                     |             | REFRIGERANTS                                       |      |      |      |      |      |      |      | STANDARD VOLTS/CYCLES |   |    |    | WATTS |  |
|              |           |  |                     |             | 22   | 134a | 401A | 402A | 404A | 407C | 502  | 507  |                       |   |    |    |       |  |
|              |           |  |                     |             | Pressure Drop – psi                                |      |      |      |      |      |      |      | AC                    | DC  | AC | DC |       |  |
| E35          | E35S190   | 1-1/8 ODF X 1-1/8 ODF  | 1                   | 300         | 250  | 70.9 | 53.0 | 56.9 | 46.6 | 46.5 | 64.8 | 46.0 | 45.6                  | 24/50-60<br>120/50-60<br>208-240/50-60<br>120-208-240/50-60 | 10 | 15 |       |  |
|              | ME35S190  |  |                     |             |  |      |      |      |      |      |      |      |                       |   |    |    |       |  |
|              | OE35S190  |  |                     |             |  |      |      |      |      |      |      |      |                       |   |    |    |       |  |
|              | E35S1110  | ② 1-3/8 ODF X 1-3/8 ODF  |                     | 300         | 250  |      |      |      |      |      |      |      |                       |   |    |    |       |  |
|              | ME35S1110 |  |                     |             |  |      |      |      |      |      |      |      |                       |   |    |    |       |  |
| OE35S1110    |           | 300  |                     |             |  |      |      |      |      |      |      |      |                       |   |    |    |       |  |

■ Maximum rated pressure: Type E35 Series, 700 psi  
 ■ Dual voltage 4-wire coils, 120-208-240/50-60 are available at slight additional cost. For other voltages and cycles, consult Sporlan, Washington, MO 63090.

■ Available with conduit boss or junction box at no extra charge.  
 ■ For capacity at other pressure drops, see Pages 4 and 5.



# Type E42 Series

22, 134a, 401A, 402A, 404A, 407C, 502, 507



Type ME42S2130

UL and SP Listed  
CE Approved

## Application

**Type E42 Series** are large capacity, pilot operated solenoid valves designed for refrigeration and air conditioning applications. Suitable for suction service because very low pressure differential, 1 psi, is required for full operation.

The **Type E42** series may be brazed into line without disassembly as valves contain extended solder type connections. Use caution to place wet rag or chills on extensions at body to prevent excessive overheating.

The **E42 Series** may be mounted horizontally, on their side or in a vertical line. The E42 series is a Class “F” temperature rated coil that is provided as standard, therefore a high temperature coil is **not** required for discharge service.

The E42 series are steel body valves and therefore are **not** recommended for water or steam service.

## Ordering Instructions

When ordering complete valves, specify Valve Type, Connections, Voltage and Cycles.

When ordering Body Assembly, specify Valve Type and Connections.

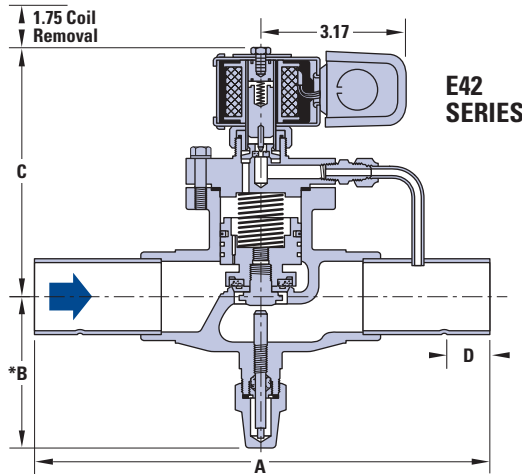
When ordering Coil Assembly ONLY, specify Coil Type, Voltage and Cycles.

**Example: MKC-2 120/50-60; OMKC-2 120/50-60.**

## Dimensions – Inches

| VALVE SERIES | TYPE      | A     | *B   | C               |               | D             |
|--------------|-----------|-------|------|-----------------|---------------|---------------|
|              |           |       |      | NORMALLY CLOSED | NORMALLY OPEN | FITTING DEPTH |
| E42          | ME42S2130 | 11.06 | 3.53 | 5.70            | 6.31          | 1.09          |
|              | ME42S2170 |       |      |                 |               | 1.34          |

\*Deduct 2-1/8" for E42 Series Valves less Manual Lift Stem.



## Specifications – MKC-2 and OMKC-2 Coil

| VALVE SERIES | TYPE      | STANDARD CONNECTIONS Inches | PORT SIZE Inches | MOPD psi | NOMINAL LIQUID CAPACITIES<br>Tons of Refrigeration |      |      |      |      |      |     |      | COIL RATINGS          |   |    |    |
|--------------|-----------|-----------------------------|------------------|----------|--|------|------|------|------|------|-----|------|-----------------------|---|----|----|
|              |           |                             |                  |          | REFRIGERANTS                                       |      |      |      |      |      |     |      | STANDARD VOLTS/CYCLES | WATTS   |    |    |
|              |           |                             |                  |          | 22   | 134a | 401A | 402A | 404A | 407C | 502 | 507  |                       | AC  | DC |    |
|              |           |                             |                  |          | Pressure Drop – psi                                |      |      |      |      |      |     |      |                       |   |    |    |
| E42          | E42S2130  | 1-5/8 ODF X 1-5/8 ODF       | 1-5/16           | 300      | 250  | 127  | 96.9 | 104  | 83.9 | 84.2 | 117 | 82.5 | 82.4                  | 24/50-60<br>120/50-60<br>208-240/50-60<br>120-208-240/50-60 | 15 | 18 |
|              | ME42S2130 |                             |                  |          |  |      |      |      |      |      |     |      |                       |   |    |    |
|              | OE42S2130 |                             |                  |          |  |      |      |      |      |      |     |      |                       |   |    |    |
|              | E42S2170  | 2-1/8 ODF X 2-1/8 ODF       |                  | 300      | 250  |      |      |      |      |      |     |      |                       |   |    |    |
|              | ME42S2170 |                             |                  |          |  |      |      |      |      |      |     |      |                       |   |    |    |
|              | OE42S2170 |                             |                  |          |  |      |      |      |      |      |     |      |                       |   |    |    |

- Maximum rated pressure 450 psi.
- Dual voltage 4-wire coils, 120-208-240/50-60 are available at slight additional cost. For other voltages and cycles, consult Sporlan, Washington, MO 63090.
- Available with conduit boss or junction box at no extra charge.
- For capacity at other pressure drops, see Pages 4 and 5.

22, 134a, 401A, 402A, 404A, 407C, 502, 507

# Built-In Check Valve Series

### Application

A solenoid valve with a built-in check valve is designed to replace a liquid line solenoid valve in parallel with a check valve for reverse flow. This valve may be applied in the liquid line of a supermarket case for positive shutoff during pumpdown control, while allowing full flow in the reverse direction during reverse gas defrost. It may also be used in the liquid line of a heat pump to prevent migration of refrigerant to the outdoor unit during the heating mode, while allowing full flow in the reverse direction during the cooling mode. CAUTION: This valve will not close in the reverse flow/cooling mode.

See Figure 1. The check ball is small and inserted into the pilot port of the disc. When the valve is energized for operation in the refrigeration flow direction, the pressure on top of the disc is bled off through the pilot port and the disc raises. When the evaporator goes into defrost or the heat pump switches to the cooling mode, the solenoid valve **must be energized**. The reverse flow causes the check ball to close the pilot port from the bottom, pushing the disc down, fully opening the valve.

The check valve disc also requires a modification in the stem and plunger assembly. Therefore, the disc and stem and plunger assembly must be changed to convert a standard solenoid valve to one with a built-in check valve. Internal parts kits are available for solenoid valves with the built-in check valve. See Bulletin 122, Replacement Parts.

### For Supermarkets

See Figure 2. For reverse gas defrost, a liquid line solenoid valve can be installed with a check valve in parallel, to allow reverse flow to the liquid header. This adds the expense of labor and materials. Or, a Sporlan liquid line solenoid valve with the built-in check valve feature can be installed, saving time and money.

### For Heat Pumps

This valve may be used on some heat pump applications when sized correctly. (Refer to capacities at 40°F evaporator temperature, see Page 18 of this Bulletin.) For heat pumps with long lines that require shut off in both directions, use two solenoid valves with the outlets pointing towards each other.

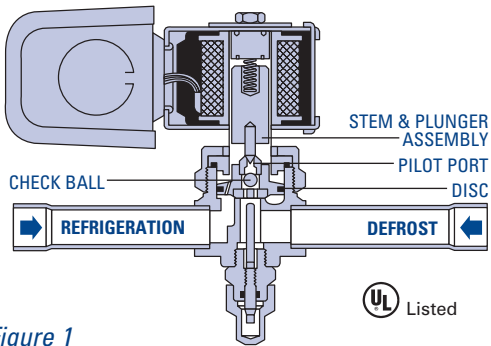


Figure 1  
**CME14S2\* REVERSE FLOW SOLENOID VALVE**

\*The "C" is used in this nomenclature to represent the check valve feature. See Solenoid Valve Nomenclature, Pages 25-26.

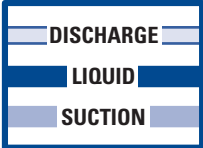
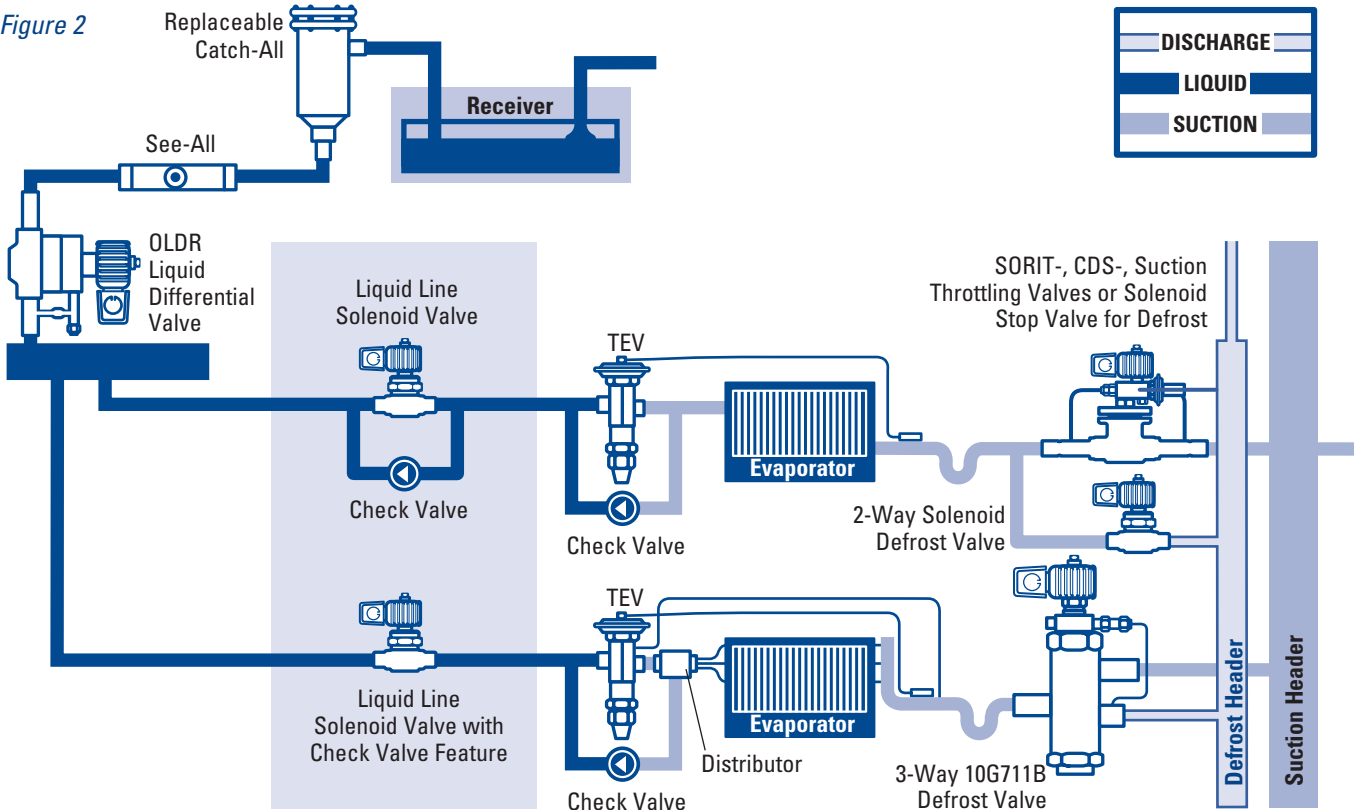


Type CE14S250



Type CMB19S2

Figure 2



# Built-In Check Valve Series

22, 134a, 401A, 402A, 404A, 407C, 502, 507

Extreme care should be taken when brazing connections to avoid damage to internal synthetic parts.

## Ordering Instructions

When ordering complete valves, specify Valve Type, Connections, Voltage and Cycles.

When ordering Body Assembly, specify Valve Type and Connections.

When ordering Coil Assembly ONLY, specify Coil Type, Voltage and Cycles.

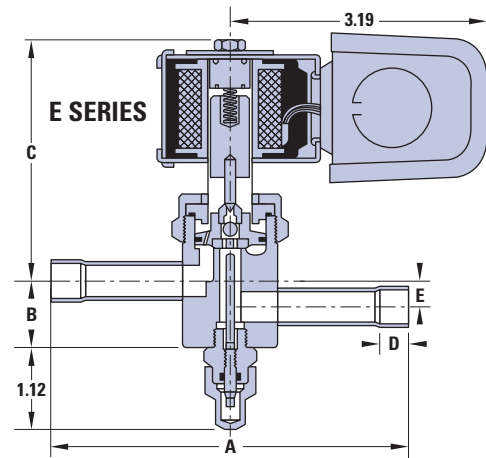
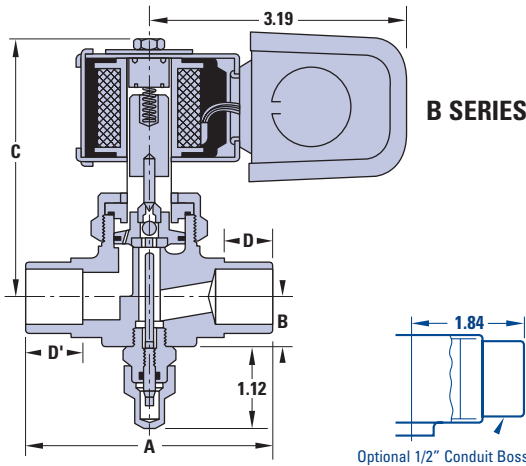
**Example: CME10S250\* 120/50-60**

**Kit: KS-CB10/CE10\***

\*The “C” is used in this nomenclature to represent the check valve feature. See Solenoid Valve Nomenclature, Page 26.

## Dimensions – Inches

| TYPE        | A    | B    | C    | FITTING DEPTH |      | E    |
|-------------|------|------|------|---------------|------|------|
|             |      |      |      | ODF           | ODM  |      |
|             |      |      |      | OFFSET        |      |      |
| C(M)E9S230  | 4.63 | 0.81 | 2.65 | 0.31          | –    | 0.38 |
| C(M)E9S240  | 5.00 | 0.75 | 2.70 | 0.38          | –    | 0.31 |
| C(M)E10S250 | 6.50 | 0.88 | 3.13 | 0.50          | –    | 0.37 |
| CB14S2      | 3.00 | 0.56 | 3.28 | 0.62          | 0.50 | –    |
| CE14S250    | 6.88 | 0.48 | 3.25 | 0.50          | –    | –    |
| C(M)E19S270 | 7.13 | 0.81 | 3.31 | 0.75          | –    | –    |



## Specifications – Reverse Refrigeration Flow, Liquid Line Capacity (Tons)\*\*

| VALVE TYPE               | R-22<br>3 psi |      | R-134a<br>2 psi |     | R-401A<br>2 psi |      | R-402A<br>3 psi |     | R-404A<br>3 psi |     | R-407C<br>3 psi |      | R-502<br>3 psi |     | R-507<br>3 psi |     |
|--------------------------|---------------|------|-----------------|-----|-----------------|------|-----------------|-----|-----------------|-----|-----------------|------|----------------|-----|----------------|-----|
|                          | EVAPORATOR °F |      |                 |     |                 |      |                 |     |                 |     |                 |      |                |     |                |     |
|                          | 40            | 0    | 40              | 0   | 40              | 0    | 40              | 0   | 40              | 0   | 40              | 0    | 40             | 0   | 40             | 0   |
| <b>C(M)B9, C(M)E9</b>    | 6.6           | 6.2  | 5.1             | 4.6 | 5.5             | 5.0  | –               | 3.9 | –               | 3.9 | 6.1             | 5.6  | –              | 3.9 | –              | 3.8 |
| <b>C(M)B10, C(M)E10</b>  | 8.1           | 7.6  | 6.2             | 5.6 | 6.6             | 6.1  | –               | 4.8 | –               | 4.8 | 7.4             | 6.8  | –              | 4.7 | –              | 4.7 |
| <b>C(M)B14, C(M)E14</b>  | 12.9          | 12.2 | 10.2            | 9.3 | 11.0            | 10.2 | –               | 7.7 | –               | 7.8 | 12.0            | 11.0 | –              | 7.6 | –              | 7.6 |
| <b>C(M)B19, C(M)E19+</b> | 9.3           | 8.8  | 6.2             | 5.6 | 6.6             | 6.1  | –               | 5.4 | –               | 5.1 | 8.2             | 7.5  | –              | 5.5 | –              | 5.1 |

\*\* Valve sizing should be based on expected reverse liquid flow condensing capabilities of the evaporator(s) being defrosted.

+ Due to flow restrictions, C(M)E19 model capacity does not surpass C(M)E14 models until pressure drop exceeds 10 psi.

■ See Page 4 and 5 for Forward Refrigerant Flow.

■ Liquid capacities shown in the above table are based on 100°F liquid temperature entering the valves.

for Air, Water, Steam and Light Oil

# Industrial Solenoid Valves

## Application

These valves are suitable for most types of industrial applications. Ideal for water, glycol, most refrigerant oils and heat transfer fluids, air lines to chucking devices, steam lines, etc. Use the disc type valves for high temperature and steam applications up to 25 psia. Use the teflon diaphragm type valve for high temperature and steam applications over 5 psig (225°F) but do not exceed 10 psig (240°F). For applications above 240°F, consult Sporlan, Washington, MO. These valves **may be mounted horizontally, on their side or in a vertical line.**

## Direct Acting Type

The **W3P1** is the ideal size for use on air chucking devices. Generally a very tight seat is required for this type of application. This can be achieved by using a neoprene seat in the **W3P1** in place of the standard teflon. **To order specify RW3P1.**

## Disc Type

In certain areas of the country, particularly hard water localities, the integral brass seats in solenoid valves may deteriorate very rapidly. This problem is solved by using a stainless steel seat insert in the brass body in place of the usual brass seat. Valves from the **W6** series through the **W25** series have this feature. These

valves are also equipped with teflon seating materials for long life. The **W14** series through the **W25** series are also equipped with a closing spring on top of the disc to assist in valve closing.

## Diaphragm Type

These valves are tight seating in applications of normal differential pressure. For applications where differential pressures in the closed position are below 5 psi, it is recommended that a Buna-N diaphragm be used in place of the standard teflon diaphragm. **To order specify BR184P1 or KBR184P1.**

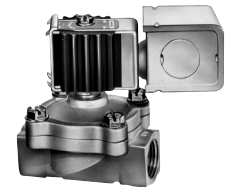
In certain areas of the country, particularly hard water localities, the integral brass seats in solenoid valves may deteriorate very rapidly. This problem is solved by using a stainless steel seat insert in place of the usual brass seat. **Example: KR184P1.**

## Nomenclature - Diaphragm Type

| K                           | B                | R      | 18              | 4                    | P                | 1          |
|-----------------------------|------------------|--------|-----------------|----------------------|------------------|------------|
| Stainless Steel Insert Seat | Buna-N Diaphragm | Series | Port Size 1/32" | Connection Size 1/8" | Pipe Connections | MKC-1 Coil |



Type W3P1  
Direct Acting Type



Type R184P1  
Diaphragm Type

## Specifications

| TYPE | STANDARD CONNECTIONS Inches | PORT SIZE Inches | MOPD psi |    | DIAPHRAGM | STAINLESS STEEL INSERT SEAT | COIL RATINGS          |       |    |      |
|------|-----------------------------|------------------|----------|----|-----------|-----------------------------|-----------------------|-------|----|------|
|      |                             |                  | AC       | DC |           |                             | STANDARD VOLTS/CYCLES | WATTS |    | COIL |
|      |                             |                  |          |    |           |                             |                       | AC    | DC |      |

### Disc Type

|       |                |       |     |     |   |     |  |    |    |       |
|-------|----------------|-------|-----|-----|---|-----|--|----|----|-------|
| W3P1  | 1/4 NPT Female | .109  | 150 | 100 | - | No  | 24/50-60<br>120/50-60<br>208-240/50-60<br>Dual 120-208-240/50-60 | 10 | 15 | MKC-1 |
| W6P1  | 3/8 NPT Female | 3/16  |     | 125 |   | Yes |  | 15 | 18 | MKC-2 |
| W14P2 | 1/2 NPT Female | 7/16  |     |     |   |     |  |    |    |       |
| W19P2 | 3/4 NPT Female | 19/32 |     |     |   |     |  |    |    |       |
| W25P2 | 1 NPT Female   | 25/32 |     |     |   |     |  |    |    |       |

### Diaphragm Type

|          |                |      |     |    |        |     |  |    |    |       |
|----------|----------------|------|-----|----|--------|-----|--|----|----|-------|
| R183P1   | 3/8 NPT Female | 9/16 | 150 | 60 | Teflon | No  | 24/50-60<br>120/50-60<br>208-240/50-60<br>Dual 120-208-240/50-60 | 10 | 15 | MKC-1 |
| BR183P1  |                |      |     |    | Buna-N | Yes |  |    |    |       |
| KR183P1  |                |      |     |    | Teflon |     |  |    |    |       |
| KBR183P1 |                |      |     |    | Buna-N |     |  |    |    |       |
| R184P1   | 1/2 NPT Female | 9/16 | 150 | 60 | Teflon | No  | 24/50-60<br>120/50-60<br>208-240/50-60<br>Dual 120-208-240/50-60 | 10 | 15 | MKC-1 |
| BR184P1  |                |      |     |    | Buna-N | Yes |  |    |    |       |
| KR184P1  |                |      |     |    | Teflon |     |  |    |    |       |
| KBR184P1 |                |      |     |    | Buna-N |     |  |    |    |       |
| R246P1   | 3/4 NPT Female | 3/4  | 150 | 60 | Teflon | No  | 24/50-60<br>120/50-60<br>208-240/50-60<br>Dual 120-208-240/50-60 | 10 | 15 | MKC-1 |
| BR246P1  |                |      |     |    | Buna-N | Yes |  |    |    |       |
| KR246P1  |                |      |     |    | Teflon |     |  |    |    |       |
| KBR246P1 |                |      |     |    | Buna-N |     |  |    |    |       |

- Maximum rated pressure: Type W3P1 and Diaphragm Types, 300 psi; All others - 500 psi
- Dual voltage 4-wire coils, 120-208-240/50-60 are available at slight additional cost. For other voltages and cycles, consult Sporlan, Washington, MO 63090.
- Body - Brass
- Available with conduit boss or junction box at no extra charge.
- 5 psi minimum operating pressure differential W6 thru W25.

# Industrial Solenoid Valves

for Air, Water, Steam and Light Oil

## Ordering Instructions

When ordering complete valves, specify Valve Type, Connections, Voltage and Cycles.

When ordering Body Assembly, specify Valve Type and Connections.

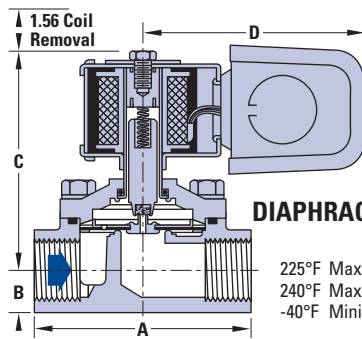
When ordering Coil Assembly ONLY, specify Coil Type, Voltage and Cycles.

**Example: MKC-1 208-240/50-60;  
MKC-2 120/50-60.**

**Use a SPORLAN filter or strainer in front of every industrial solenoid valve.**

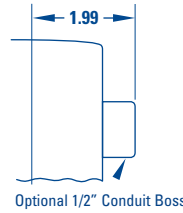
## Dimensions – Inches

| TYPE          | CONNECTIONS (Pipe) | A    | B    | C    | D    |
|---------------|--------------------|------|------|------|------|
| W3P1          | 1/4                | 1.88 | 0.44 | 2.20 | 2.89 |
| W6P1          | 3/8                | 1.94 |      | 2.66 |      |
| W14P2         | 1/2                | 2.41 | 0.56 | 3.28 | 3.17 |
| W19P2         | 3/4                | 3.00 | 0.81 | 3.31 |      |
| W25P2         | 1                  | 3.50 | 0.72 | 3.78 |      |
| R183P1 Series | 3/8                | 2.75 | 0.53 | 2.97 | 2.89 |
| R184P1 Series | 1/2                |      |      | 2.97 |      |
| R246P1 Series | 3/4                |      |      | 3.09 |      |

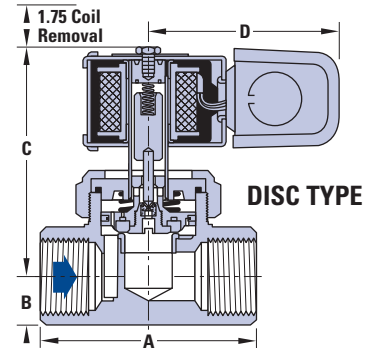


**DIAPHRAGM TYPE**

225°F Maximum Fluid Temperature, Buna-N Diaphragm  
240°F Maximum Fluid Temperature, Teflon Diaphragm  
-40°F Minimum Fluid Temperature



Optional 1/2" Conduit Boss



**DISC TYPE**

## Capacities

### Water and Air

| TYPE          | WATER – GPM |          |          |           |           | *AIR – CFMFA |           | COIL  |
|---------------|-------------|----------|----------|-----------|-----------|--------------|-----------|-------|
|               | 1 psi ΔP    | 3 psi ΔP | 5 psi ΔP | 10 psi ΔP | 20 psi ΔP | 5 psi ΔP     | 10 psi ΔP |       |
| W3P1          | 0.22*       | 0.38*    | 0.5      | 0.7       | 1.2       | 2.4          | 3.4       | MKC-1 |
| W6P1          | –           | –        | 2.2      | 3.2       | 4.5       | 7.25         | 10.8      |       |
| W14P2         | –           | –        | 5.9      | 9.0       | 12.7      | 24.2         | 39.5      | MKC-2 |
| W19P2         | –           | –        | 8.8      | 12.5      | 19.1      | 41.0         | 61.0      |       |
| W25P2         | –           | –        | 14.5     | 21.5      | 32.5      | 74.0         | 114.0     |       |
| R183P1 Series | 3.6         | 6.2      | 8.1      | 11.4      | 16.1      | 32.5         | 47.4      | MKC-1 |
| R184P1 Series | 4.1         | 7.1      | 9.2      | 13.0      | 18.3      | 37.0         | 54.0      |       |
| R246P1 Series | 5.8         | 10.0     | 12.9     | 18.3      | 25.8      | 52.3         | 76.4      |       |

\* Use RW3P1 to obtain tight seating below 5 psi pressure drop.

### Steam – Pounds per Hour

| TYPE  | PRESSURE DROP ACROSS THE SOLENOID VALVE – psi |     |      |      |      |      |      |      |      |      | COIL  |
|-------|---|-----|------|------|------|------|------|------|------|------|-------|
|       | 5   |     |      |      | 10   |      |      | 20   |      | 25   |       |
|       | PRESSURE AT INLET OF SOLENOID VALVE – psi     |     |      |      |      |      |      |      |      |      |       |
|       | 5   | 10  | 20   | 25   | 10   | 20   | 25   | 20   | 25   | 25   |       |
| W3P1  | 7.5   | 8.6 | 10.4 | 11.8 | 10.8 | 13.8 | 14.9 | 15.2 | 17.1 | 17.1 | MKC-1 |
| W6P1  | 23  | 26  | 32   | 37   | 34   | 44   | 46   | 49   | 53   | 53   |       |
| W14P2 | 77  | 88  | 107  | 123  | 109  | 139  | 155  | 165  | 179  | 179  | MKC-2 |
| W19P2 | 133   | 151 | 183  | 210  | 194  | 248  | 264  | 281  | 304  | 304  |       |
| W25P2 | 222   | 298 | 308  | 355  | 339  | 433  | 447  | 525  | 514  | 514  |       |

| TYPE    | *POUNDS PER HOUR |           | COIL  |
|---------|------------------|-----------|-------|
|         | 5 psi ΔP         | 10 psi ΔP |       |
| R183P1  | 105              | 152       | MKC-1 |
| KR183P1 |                  |           |       |
| R184P1  | 119              | 173       |       |
| KR184P1 |                  |           |       |
| R246P1  | 168              | 245       |       |
| KR246P1 |                  |           |       |

For steam applications above 5 psig (225°F) and not to exceed 10 psig (240°F) use teflon diaphragm.  
\* Exhaust to atmosphere.

# Sporlan Solenoid Valves

# General

## Purpose

The primary purpose of an electrically operated solenoid valve is to control automatically the flow of fluids, liquid, or gas. Sporlan Solenoid Valves may be applied on a wide variety of applications.

## Basic Types

There are two basic types of solenoid valves. The most common is the normally-closed type, in which the valve opens when the coil is energized, and closes when the coil is de-energized. The other type is the normally-open valve which opens when the coil is de-energized and closes when the coil is energized. The operation of both types is discussed in the following paragraphs.

## Principles of Operation

Solenoid valve operation is based on the theory of the electromagnet. The solenoid valve coil sets up a magnetic field when electrical current is flowing through it. If a magnetic metal, such as iron or steel, is introduced into the magnetic field, the pull of the field will raise the metal and center it in the hollow core of the coil. By attaching a stem to the magnetic metal or plunger, this principle is used to open the port of the valve. When the electrical circuit to the coil is broken, the magnetic field will collapse and the stem and plunger either will fall by gravity or be pushed down by the kick off spring.

Some solenoid valves are designed with a hammer blow effect. When the coil is energized, the plunger starts upward before the stem. The plunger then picks up the stem by making contact with a collar at the top. The momentum of the plunger assists in opening the valve against the unbalanced pressure across the port.

Solenoid valves are also classified according to the “stem and plunger” action. The two types are discussed in the following sections.

## Direct Acting Solenoid Valves

With this type of valve, the stem and plunger assembly opens the port of the valve directly. This type of construction is limited to the smaller valves with port sizes of less than 1/4 inch. Sporlan Solenoid Valves of this design are the Types A3, E3, MA5A3, 180 Solenoid Pilot Control and W3P1.

## Pilot Operated

### Normally Closed Solenoid Valves

In a pilot operated valve, the stem and plunger assembly opens a pilot port. This releases the pressure on top of the disc, piston or diaphragm which then moves upward and opens the main valve port. Figure 3 illustrates the four phases of the operating cycle of a typical pilot operated valve. The operation is the same whether the valve is a disc, piston or diaphragm type.

Initially the pilot port and the main port are closed as shown in **A**. Pressure at the valve inlet is present on top of the disc as well, because of an equalizer hole drilled through the disc.

When the coil is energized, the stem and plunger assembly is lifted and the pilot port is opened — **B**. The stem and plunger assembly is centered within the coil by the magnetic field. The pilot port, if properly sized for the fluid to be handled, will relieve the pressure on top of the disc. Now the valve inlet pressure will act on a portion of the bottom of the disc, lifting the disc to open the main port — **C**. Once the port is

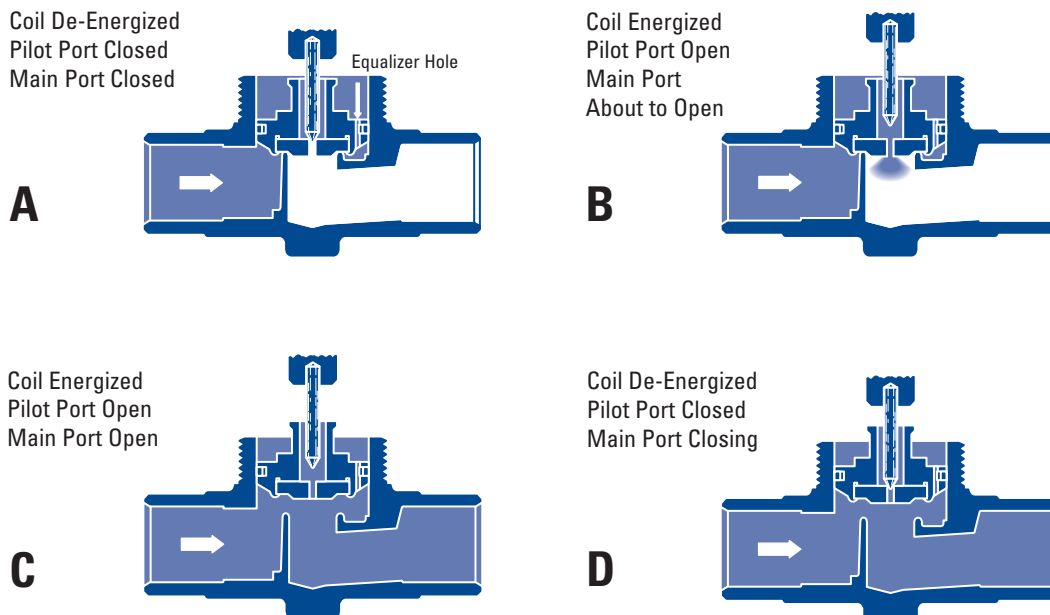


Figure 3

## General

open, the disc is held off the seat by the pressure difference across the port. When the coil is de-energized, the stem and plunger assembly drops, due to gravity or the kick off spring, and closes the pilot port. As shown in **D** the pressure above the disc is no longer vented to the downstream side of the valve. Fluid flow and pressure drop causes the pressure above the disc to be higher than below the disc, and the disc drops, closing the main port. In some valves the plunger is spring loaded and does not rely on gravity to close. All Sporlan Solenoid Valves except the A3, E3, W3, MA5A3 and 180 SPC are pilot operated and employ either the floating disc, floating piston or floating diaphragm construction. The pilot operated valves require a very low, 1 psi, pressure differential for full operation.

**Normally Open Solenoid Valves** operate very similar to the normally closed type. The system pressure is utilized to open and close these valves.

The major difference in the normally open construction is that with the coil de-energized, a spring is used to push the stem and plunger assembly upward holding the pilot port open. This then allows the disc to rise, because of the pressure difference between the bottom and top of the disc, and permits flow to take place.

## Sporlan Solenoid Valves

When the coil is energized, the stem and plunger assembly is pulled DOWN, closing the pilot port. The pressure on top of the disc then equalizes with the incoming pressure and the disc moves down closing the main port. The valve will remain closed as long as the coil is energized.

**Direct-Connected Piston Assemblies**, with the stem and plunger mechanically connected to the piston, are used on applications where the valve must be sized for very small pressure drop, such as on suction lines. While the pilot operated principle is still used to open the valve, the magnetic pull of the coil is utilized to hold the piston open, preventing possible pulsations. A disadvantage of the direct-connected type is the case where dirt prevents free piston movement and the plunger is unable to center itself in the coil. This will cause overheating of the coil and the danger of coil burnout is present. The “floating piston or disc” type permits independent operation of the plunger to allow a complete magnetic circuit regardless of the piston’s position and thereby eliminates the possibility of coil burnout due to restricted piston or disc movement. For additional information, see Page 27, Suction Line Service.

## Design

### Maximum Operating Pressure Differential

The maximum pressure differential against which a solenoid valve can open is generally abbreviated MOPD. This is illustrated in Figure 4.

MOPD ratings are established at 85% of rated voltage and with a hot coil after its maximum temperature is reached. For any given valve and coil design, the factors that effect MOPD are voltage deviation and coil temperature.

### Synthetic Seating

Introduced by Sporlan in 1947, synthetic seating provides permanent seat tightness. Our experience in the use of these superior seating materials provides a reliable basis for durable construction best suited for various applications.

### Solenoid Coil

The interchangeability of solenoid coils is necessarily limited by considerations of the varying requirements of power and plunger movement. Nevertheless, only three coil sizes are required for the extensive line of Sporlan Solenoid Valves. Each coil is interchangeable between a number of valves within a given size range.

### Maximum Rated Pressure

Don’t confuse the MOPD rating of a valve with the maximum rated pressure. The rated pressure of a solenoid valve is a design specification indicating the maximum pressure under which the valve should be applied. Actually, the valve must be able to withstand three times its maximum rated pressure and pass fatigue cycle tests, to qualify for listing by Underwriters’ Laboratories.

### Manual Lift Stem

Occasionally, circumstances require that a solenoid valve be opened independently of the electrical power. Therefore, a manual lift stem is available on all valves from the B6 and E6 series up through the MA50 series.

Figure 4





## Sporlan Solenoid Valves

## Construction Details

| VALVE SERIES                     | PORT SIZE<br>Inches | TYPE OF OPERATION | COIL KIT                                       | *BODY MATERIAL    | TYPE OF SEATING                       |                                       | STEM AND PLUNGER ASSEMBLY | PISTON DISC OR DIAPHRAGM |
|----------------------------------|---------------------|-------------------|--|-------------------|---------------------------------------|---------------------------------------|---------------------------|--------------------------|
|                                  |                     |                   |  |                   | MAIN PORT                             | PILOT PORT                            |                           |                          |
| A3P1                             | .101                | Direct Acting     | MKC-1  | Brass             | Synthetic to Metal                    | ---                                   | ---                       | ---                      |
| A3F1                             |                     |                   |  |                   | Metal to Metal                        |                                       |                           |                          |
| A3S1                             |                     |                   |  |                   |                                       |                                       |                           |                          |
| E3                               |                     |                   |  |                   |                                       |                                       |                           |                          |
| E5                               | .150                | Pilot Operated    | MKC-2 and †OMKC-2                              | Brass Forging     | Synthetic to Metal                    | Stainless Steel Pin to Synthetic Seat | Stainless Steel           | Disc                     |
| E6, ME6                          | 3/16                |                   |  |                   |                                       |                                       |                           |                          |
| B6, MB6                          |                     |                   |  |                   |                                       |                                       |                           |                          |
| B9, MB9, OB9                     | 9/32                |                   |  | Brass             |                                       |                                       |                           |                          |
| E9, ME9, OE9                     |                     |                   |  |                   |                                       |                                       |                           |                          |
| E10, ME10, OE10                  | 5/16                |                   |  | Brass Forging     |                                       |                                       |                           |                          |
| B10, MB10, OB10                  |                     |                   |  |                   |                                       |                                       |                           |                          |
| B14, MB14, OB14, E14, ME14, OE14 | 7/16                |                   | Brass Forging                                  |                   |                                       |                                       |                           |                          |
| B19, MB19, OB19, E19, ME19, OE19 | 19/32               |                   |  |                   |                                       |                                       |                           |                          |
| B25, MB25, OB25, E25, ME25, OE25 | 25/32               |                   | Steel Casting                                  |                   |                                       |                                       |                           |                          |
| E35, ME35, OE35                  | 1                   |                   |  | MKC-1 and †OMKC-1 |                                       |                                       |                           |                          |
| B33, MB33, OB33                  |                     |                   | 1-5/16   | MKC-2 and †OMKC-2 |                                       |                                       |                           |                          |
| E42, ME42, OE42                  |                     |                   |  |                   |                                       |                                       |                           |                          |
| W3P1                             | .109                | Direct Acting     | MKC-1  | Brass             | ---                                   | ---                                   | ---                       | ---                      |
| W6P1                             | 3/16                | Pilot Operated    | MKC-2  | Brass Forging     | Stainless Steel Pin to Synthetic Seat | ---                                   | Disc                      | Diaphragm                |
| W14P2                            | 7/16                |                   |  |                   |                                       |                                       |                           |                          |
| W19P2                            | 19/32               |                   |  |                   |                                       |                                       |                           |                          |
| W25P2                            | 25/32               |                   | MKC-1  |                   |                                       |                                       |                           |                          |
| R183                             | 9/16                |                   |  |                   |                                       |                                       |                           |                          |
| R184                             |                     |                   |  |                   |                                       |                                       |                           |                          |
| R246                             |                     | 3/4               | Stainless Steel Port to Synthetic Plunger Seat |                   |                                       |                                       |                           |                          |

\*All "E" Series Valves have Copper Extended Solder Type Connections.

†Normally Open Solenoid Valve ONLY.

Approximate Net and Shipping Weights<sup>‡</sup>

| VALVE SERIES WITH COIL | WEIGHT – lbs. |          |
|------------------------|---------------|----------|
|                        | NET           | SHIPPING |
| A3, E3, E5, W3         | 1.0           | 1.2      |
| B6, E6, W6             | 1.0           | 1.2      |
| B9, E9                 | 1.5           | 1.7      |
| B10, E10               | 2.0           | 2.3      |
| B14, E14, W14          | 2.0           | 2.3      |

| VALVE SERIES WITH COIL | WEIGHT – lbs. |          |
|------------------------|---------------|----------|
|                        | NET           | SHIPPING |
| B19, E19, W19          | 2.3           | 2.6      |
| B25, E25, W25          | 3.1           | 3.4      |
| E35                    | 5.8           | 6.3      |
| E42                    | 10            | 12       |
| R18, R24               | 2.3           | 2.8      |

<sup>‡</sup>Weights may vary due to connection sizes, manual lift stem, coil voltage, etc.

# Construction Details

Sporlan Solenoid Valves are constructed to ensure long, trouble-free life. They employ proven design features for reliable performance on all applications. By using modern production equipment, Sporlan consistently provides top quality solenoid valves for air conditioning, refrigeration and other uses. Quality is maintained by strict quality control methods in all phases of production followed by detailed testing of every valve produced.

Extensive use of stainless steel, thoroughly proven synthetic materials and modern sealing methods along with top grade brass, bronze and semi-steel body materials, contribute to Sporlan's high quality product. The table on Page 23 lists the materials and construction details of Sporlan Solenoid Valves. Sporlan

# Sporlan Solenoid Valves

reserves the right to change materials that improve the quality, performance and/or integrity of the product.

## Coil Construction

Sporlan solenoid coils are constructed with some of the finest materials available for electromagnet coil manufacture.

**Standard Coils** — The number 1 and 2 coils are wound on a molded Rynite® bobbin. The wound bobbin is then inserted into a mold in a transfer press and encapsulated with a thermoset polyester compound. The coil yoke is assembled afterward and the coils are identified as (O)MKC-1 and (O)MKC-2. The thermoset polyester is moisture proof, fungus proof and meets military specifications.

# Electrical Specifications

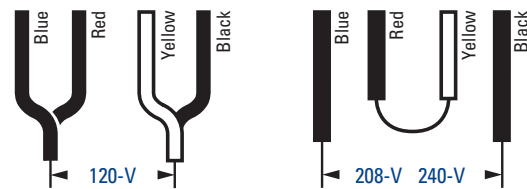
Sporlan Solenoid Valve coils are available in many voltage and cycle ratings. The standard coils required are listed on the Specification pages for the various valves. Dual voltage, direct current (DC) and other alternating current (AC) coils are available for most valve types at slight additional cost. For other voltages and cycles, consult Sporlan, Washington, MO.

**Color Coded Lead Wires** — For ease of identification, coils are manufactured with the following colored lead wires:

|           |        |               |                          |
|-----------|--------|---------------|--------------------------|
| 24/50-60  | Orange | 208-240/50-60 | Red                      |
| 120/50-60 | Blue   | Dual Voltage  | Black, Blue, Yellow, Red |
| 208/50-60 | Yellow |               |                          |

All other coils are supplied with black lead wires.

### Wiring for Dual Voltage Coil



**Leads** on valves with a conduit boss are **18"** long while coil leads on valves with a junction box are **6"** in length.

**Junction Box** — All solenoid valves are available with either an integral junction box or a 1/2" conduit connection at no extra charge. All valves are automatically supplied with the integral junction box. If a conduit boss is required, it must be specified on the order.

All junction boxes are equipped with grounding screw provisions and marked in accordance with UL and CSA recommendations.

**Conduit Boss — Nema Rating** — The Standard (O)MKC-1 and (O)MKC-2 coil assemblies with conduit boss type yokes will satisfy Nema 4 and IP55 (Rain Tight) as well as Nema 1, 2, 3, 3R, 3S, 12 and 13.

**DIN Connector** — (O)MKC-1E and (O)MKC-2E coils with Female DIN Connectors will satisfy IP65.

**Coil Interchangeability** — Only two coil sizes are required with the complete line of Sporlan Solenoid Valves.

The molded MKC-1 coil will fit the old style KC-1 coil. The molded MKC-2 coil will fit the old style KC-2 coil. Since the molded coils are a complete magnetic assembly, the old housing and related parts should be discarded when replacing the old KC-1 or KC-2.

## Sporlan Solenoid Valves

## Electrical Specifications

**Conversion from AC to DC Coils** — The conversion of a solenoid valve from AC to DC service varies with the valves construction and its principle of operation. Valve series A3, E3, E5, B6, E6, B9, E9, B10, E10, B14, E14, B19, E19, B25, E25, B33, E35, E42, all of the W series industrial valves and R-Series diaphragm valves can be converted from AC to DC service by changing coils. However, it is important to note that changing from AC to DC service does lower the valve's MOPD characteristics. This should be taken into consideration since the valve may not be able to open at these lower pressure ratings on some applications.

Listed by Underwriters' Laboratories Inc.,  
Canadian Standard Association and CE Approved.  
UL File No. MH4576 – CSA File No. LR19953

| VALVE SERIES   | RATING – VOLTS/CYCLES  | WATTS | COIL                   |
|--|------------------------|-------|------------------------|
| A3, E3, E5,<br>B6, E6, E35,<br>R18, R24, W3,<br>B5D, 8D, 12D,<br>10G, 16D      | 24/50-60, 120/50-60    | 10    | MKC-1<br>and<br>OMKC-1 |
|  | 208-240/50-60          |       |                        |
|  | Dual 120-208-240/50-60 |       |                        |
| B9, E9<br>B10, E10<br>B14, E14<br>B19, E19<br>B25, E25<br>B33, E42,<br>180 SPC | 24/50-60, 120/50-60    | 15    | MKC-2<br>and<br>OMKC-2 |
|  | 208-240/50-60          |       |                        |
|  | Dual 120-208-240/50-60 |       |                        |

## Identification

All Sporlan solenoid valves are identified by a valve nameplate, see Figure 5. This nameplate will indicate the valve type number, maximum operating pressure differential (MOPD) and maximum rated pressure (MRP). Any valves using the MKC-1, OMKC-1, MKC-2 and OMKC-2 will have their electrical specifications shown on the face plate of the coil assembly. See Figure 6.

### Ordering Instructions

The following table lists the standard coil configurations available. Other AC Voltages and Cycles may be available on special order.

When ordering any Coil Assembly, Specify Coil Size, Voltage and Cycles.

**Example: MKC-1 24/50-60**

### Coil Kits

| MKC-1 and OMKC-1 |      |                        |
|------------------|------|------------------------|
| VALVE SERIES     |      | RATING – VOLTS/CYCLES  |
| A3               | R183 |                        |
| E3               | R184 | 24/50-60               |
| E5               | R246 | 120/50-60              |
| B6               | 8D   | 208-240/50-60          |
| E6               | 12D  | Dual 120-208-240/50-60 |
| W3               | 10G  | 12 DC                  |
| W6               | E35  | 24 DC                  |

| MKC-2 and *OMKC-2 |         |                        |
|-------------------|---------|------------------------|
| VALVE SERIES      |         | RATING – VOLTS/CYCLES  |
| B9                | B33     |                        |
| E9                | E42     |                        |
| B10               | 180 SPC | 24/50-60               |
| E10               | 16D     | 120/50-60              |
| B14               | W14     | 208-240/50-60          |
| E14               | W19     | Dual 120-208-240/50-60 |
| B19               | W25     | 480/50-60              |
| E19               |         | 12 DC                  |
| B25               |         | 24 DC                  |
| E25               |         |                        |

\*OMKC Coils used only on normally open solenoid valves.



Figure 5

# Identification

# Sporlan Solenoid Valves

Figure 6



MKC-1, OMKC-1, MKC-2 and OMKC-2

## Nomenclature - A, B and W Series

| O             | D  | M                | B  | 25                 | S   | 2                | *              | S          |
|---------------|--|------------------|--|--------------------|---|------------------|----------------|------------|
| Normally Open | <b>Disc Type</b><br>D - Direct Connected<br>C - Built-In Check Valve | Manual Lift Stem | <b>Design or Series</b><br>A, B & W Series | Port Size in 1/32" | <b>Connections</b><br>P - Pipe<br>F - SAE Flare<br>S - ODF Solder | Coil Size<br>① ② | Overall Length | Spade Coil |

THE ABOVE PREFIXES MAY BE ADDED TO BASIC VALVE TYPE NUMBER (B25S2) TO REQUEST SPECIAL FEATURES.

Normally open valves available in B9, E9 through E42 series only, and require OMKC-2 Coil Assembly. Add prefix D for direct connected assembly in MA32 and MA17A3 series. **Example: DMA32P3.**

## Nomenclature - E Series

| O             | C                    | M                | E             | 10                 | S                            | 2         | 5                       | 0  | *              | S   |
|---------------|----------------------|------------------|---------------|--------------------|------------------------------|-----------|-------------------------|--|----------------|---|
| Normally Open | Built-In Check Valve | Manual Lift Stem | Design Series | Port Size in 1/32" | <b>Connections</b><br>Solder | Coil Size | Connection Size in 1/8" | <b>**Connections</b><br>0 - ODF x ODF<br>1 - ODF x ODM<br>2 - ODM x ODF<br>3 - ODM x ODM | Overall Length | <b>Coil Connection</b><br>S - Spade<br>E - DIN 43650A |

① The MKC-1, OMKC-1, MKC-2 and OMKC-2 are fungus proof and meet MIL-I-631C.

② The standard MKC-1 and MKC-2 are class "F" rated.

\* No dash number indicates standard length. Dash numbers -1, -2, -3 etc. thru -18 indicates **nonstandard longer or shorter overall lengths** -19 thru -33 indicates **other deviation from standard**, contact Sporlan, Washington, MO.

\*\* Standard connections are ODF inlet x ODF outlet on "E" Series valves. Minimum quantities may be required for other connections.

The "E" series is identified by an expanded nomenclature compared to the "B" series. Continued in the system of valve identity based on port size. In addition, the "E" series identifies the connection size and type. The advantage of the "E" series nomenclature system is that it allows ease in valve identification of the standard line and can provide considerable information about special valves supplied to manufacturers. Details of the "E" series nomenclature are given above.

**Example:** ME10S250 is a valve with 5/16" port (10), manual lift stem (M), standard extended 5/8" ODF x 5/8" ODF connections (50) and standard overall length (no dash number).

Lengths and type of connections other than standard may be required to satisfy specific customer requirements. For connections and other special features consult Sporlan, Washington, MO. The specifications pages lists the standard length which applies regardless of type of end connection (ODF x ODF, ODF x ODM, ODM x ODF or ODM x ODM).

## Current and Superseding Valves

| CURRENT VALVE TYPE   | CURRENT COIL KIT | OBSOLETE VALVE TYPE                    | CURRENT COIL KIT |
|--|------------------|--|------------------|
| A3, E3   | MKC-1            | 10, †62, †11                           | MKC-2            |
| E5   |                  | —                                      | —                |
| B6, MB6<br>E6, ME6   | MKC-1            | A6                                     | MKC-1            |
|  |                  | †12, †1210, †1240                      | —                |
| B9, MB9<br>E9, ME9   | MKC-2            | A9, MA9, 14                            | MKC-2            |
| B10, MB10<br>E10, ME10   |                  | A10, MA10<br>†20                       | —                |
| B14, MB14<br>E14, ME14   | MKC-2            | A14, MA14                              | MKC-2            |
|  |                  | †73, †72                               | —                |
| B19, MB19<br>E19, ME19   | MKC-3*           | A17, MA17, 43, 4304,<br>4303, 42, 4202 | MKC-3*           |
| B25, MB25<br>E25, ME25   |                  | A24, MA24, 53, 5304,<br>5303 52, 5202  |                  |
| OB9, OE9<br>OB10, OE10<br>OB14, OE14<br>OB19, OE19<br>OB25, OE25<br>OB33<br>OE42 | OMKC-2           | —                                      | —                |
| OE34   |                  | EOB33, OE33                            | OMKC-2           |
| E35, ME35  | MKC-1            | B32, MB32, MC32,<br>9001, 9005         | MKC-3*           |
| E35, ME35  | MKC-1            | (E)B33, (E)MB33,<br>(M)E34             | MKC-2            |
| E42, ME42  | MKC-2            | EMB42S3                                | MKC-3*           |
| 180  |                  | †172, †170, †162                       | —                |
| W3P1   | MKC-1            | —                                      | —                |
| W6P1   |                  | XKA                                    | MKC-1            |
| W14P2  |                  | XJQ                                    | MKC-2            |
| W19P2  | MKC-2            | 4306-P, 4308-P                         | MKC-3*           |
| W25P2  |                  | W24P3, 5306-P, 5308-P                  |                  |
| R183   | MKC-1            | W7P2                                   | —                |
| R184   |                  | —                                      |                  |
| R246   |                  | —                                      |                  |

† Replacement coils no longer available.

\* Please contact Parker Aftermarket Customer Service for MKC-3 coils and associated parts.

## Sporlan Solenoid Valves

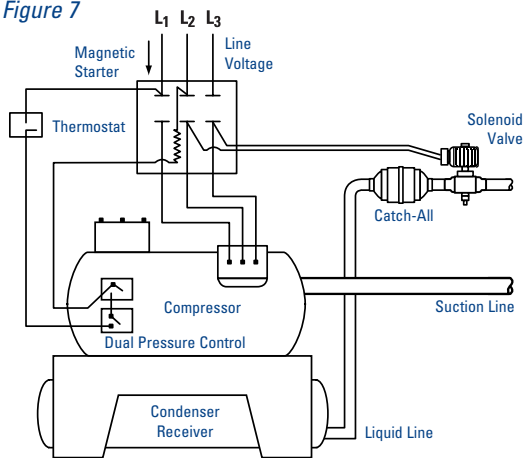
## Application

In the majority of cases, Sporlan Solenoid Valves are used for controlling the flow of refrigerants in liquid or suction lines, or in hot gas defrost circuits. They are equally suitable for many other less common forms of refrigerant control. These applications and other related topics are discussed in the following section. For applications not covered, consult Sporlan, Washington, MO.

### Liquid Line Service

The primary purpose of a solenoid valve in a refrigerant liquid line is to prevent flow into the evaporator during the off-cycle. On multiple evaporator systems, a solenoid valve may be used in each of the liquid lines leading to the individual evaporators.

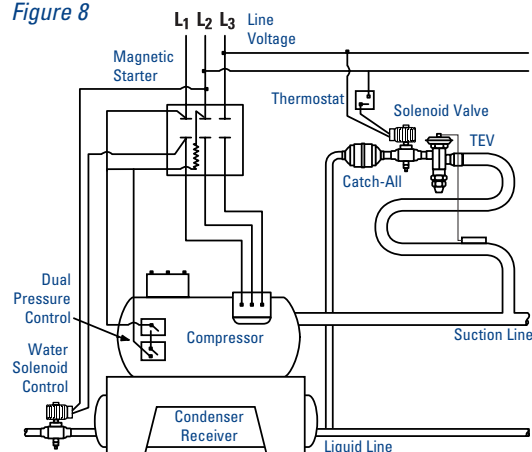
Figure 7



The application of a liquid line solenoid valve depends mainly on the method of wiring the valve with the compressor control circuit. It may be wired so the valve is energized only when the compressor is running. This type of application is illustrated in Figure 7.

Another application known as pump down control, uses a thermostat to control the solenoid valve. See Figure 8 for a wiring and valve location schematic. When the thermostat is satisfied, the valve closes and the compressor continues to run until a substantial por-

Figure 8



tion of the refrigerant has been pumped from the evaporator. A low pressure cutout control is used to stop the compressor at a pre-determined evaporator pressure. When the thermostat again calls for refrigeration, the solenoid valve opens - causing the evaporator pressure to rise and the compressor to start. This arrangement can be used on either single or multiple evaporators.

### Suction Line Service

There are several applications, particularly on suction lines, where pressure drops in excess of 2 psi cannot be tolerated. Therefore, only valves which are capable of opening at very low pressure drops are suitable for this type of use.

All Sporlan refrigeration solenoid valves, are ideally suited for these special applications. They are capable of opening full at pressure drops of 1.0 psi.

**For suction line capacities refer to the Tables on Pages 6 and 7.**

### High Temperature Applications

Any valves using the MKC-1, OMKC-1, MKC-2 or OMKC-2 coil may be used on fluids or gases whose temperature does not exceed 240°F, while the valve ambient is 120°F.

**NOTE: The MKC-1, OMKC-1, MKC-2 and OMKC-2 molded coils are satisfactory for use with hot gas bypass and hot gas defrost applications. Their unique molded rib surface radiates heat very rapidly and therefore a high temperature coil is not required in these two sizes.**

# Application

# Sporlan Solenoid Valves

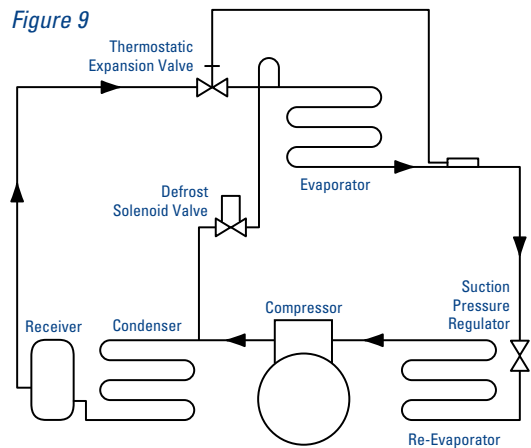


## Gas Defrost Service

There are several piping arrangements used for hot gas defrost systems, one of which is shown in Figure 9. A portion of the compressor discharge gas is passed through the solenoid valve into the evaporator. The solenoid valve may be controlled either manually or automatically for this duty.

Gas defrost valve selection requires a slightly different approach from the simple pressure drop versus tonnage. Be sure to consider the evaporator temperature correction factors shown at the bottom of the discharge gas capacities table in order to make certain that the valve selected does have adequate capacity.

Figure 9



## Compressor Capacity Reduction Service

Sporlan Solenoid Valves may be used in conjunction with Sporlan Discharge Bypass Valves for capacity reduction service. For capacity information and further details on the Discharge Bypass Valves see Bulletin 90-40 or consult Sporlan, Washington, MO.

## Water Service

See Pages 19 & 20 — Industrial Valves.

## Filter-Driers are Essential

Dirt and other system contaminants present a problem for refrigeration and air conditioning controls. Since pilot operated solenoid valves operate with rather close tolerances, system cleanliness is imperative. The Sporlan **Catch-All® Filter-Drier** filters out minute particles of dirt and other foreign matter, thus protecting the valve.

Filtering is important on ammonia systems also. The replaceable core **Catch-All® Filter-Driers**, designed for ammonia use, acts as a scale trap to protect system components. Therefore, we recommend using a Sporlan **Catch-All® Filter-Drier** ahead of every solenoid valve on all refrigeration and air conditioning applications. Contact Sporlan before adding a **Catch-All® Filter-Drier** in the discharge line.

## Transformer Selection for Low-Voltage Control Systems

Many systems utilize low voltage controls, requiring the use of a transformer for voltage reduction, normally to 24 volts. The selection of a transformer is not accomplished by merely selecting one that has the proper voltage requirements. The volt-ampere (VA) rating is equally important. To determine the VA requirement for a specific solenoid valve, refer to the chart below. It should be noted, that insufficient transformer capacity will result in reduced operating power or lowering of the MOPD value.

If more than one solenoid valve and/or other accessories are operated from the same transformer, then the transformer VA rating must be determined by adding the individual accessories' VA requirements.

## Fusing

Sporlan Solenoid Valves are not supplied with fuses. Fusing should be according to local codes. We recommend fusing the hot leg of the valve wiring with fast acting fuses and the valve should be grounded either through the fluid piping or the electrical conduit.

| COIL KIT        | 24 VOLTS/<br>50-60 CYCLES |         | 120 VOLTS/<br>50-60 CYCLES |         | 240 VOLTS/<br>50-60 CYCLES |         | TRANSFORMER RATING<br>VOLTS-AMPERES |
|-----------------|---------------------------|---------|----------------------------|---------|----------------------------|---------|-------------------------------------|
|                 | CURRENT-AMPERES           |         | CURRENT-AMPERES            |         | CURRENT-AMPERES            |         |                                     |
|                 | INRUSH                    | HOLDING | INRUSH                     | HOLDING | INRUSH                     | HOLDING | FOR 100% OF RATED<br>MOPD OF VALVE  |
| MKC-1<br>OMKC-1 | 1.9                       | .63     | .39                        | .14     | .19                        | .09     | 60                                  |
| MKC-2<br>OMKC-2 | 3.1                       | 1.4     | .60                        | .26     | .31                        | .13     | 100                                 |

- All current values are based on 60 cycles.
- Volt-ampere ratings are based on inrush currents.
- Above values are based on the most severe conditions. — Consult Sporlan for coil characteristics on specific valve types.

## OFFER OF SALE

The items described in this document and other documents and descriptions provided by Parker Hannifin Corporation, its subsidiaries and its authorized distributors (“Seller”) are hereby offered for sale at prices to be established by Seller. This offer and its acceptance by any customer (“Buyer”) shall be governed by all of the following Terms and Conditions. Buyer’s order for any item described in its document, when communicated to Seller verbally, or in writing, shall constitute acceptance of this offer. All goods or work described will be referred to as “Products”.

1. **Terms and Conditions.** Seller’s willingness to offer Products, or accept an order for Products, to or from Buyer is expressly conditioned on Buyer’s assent to these Terms and Conditions and to the terms and conditions found on-line at [www.parker.com/saleterms/](http://www.parker.com/saleterms/). Seller objects to any contrary or additional term or condition of Buyer’s order or any other document issued by Buyer.
2. **Price Adjustments; Payments.** Prices stated on the reverse side or preceding pages of this document are valid for 30 days. After 30 days, Seller may change prices to reflect any increase in its costs resulting from state, federal or local legislation, price increases from its suppliers, or any change in the rate, charge, or classification of any carrier. The prices stated on the reverse or preceding pages of this document do not include any sales, use, or other taxes unless so stated specifically. Unless otherwise specified by Seller, all prices are F.O.B. Seller’s facility, and payment is due 30 days from the date of invoice. After 30 days, Buyer shall pay interest on any unpaid invoices at the rate of 1.5% per month or the maximum allowable rate under applicable law.
3. **Delivery Dates; Title and Risk; Shipment.** All delivery dates are approximate and Seller shall not be responsible for any damages resulting from any delay. Regardless of the manner of shipment, title to any products and risk of loss or damage shall pass to Buyer upon tender to the carrier at Seller’s facility (i.e., when it’s on the truck, it’s yours). Unless otherwise stated, Seller may exercise its judgment in choosing the carrier and means of delivery. No deferment of shipment at Buyers’ request beyond the respective dates indicated will be made except on terms that will indemnify, defend and hold Seller harmless against all loss and additional expense. Buyer shall be responsible for any additional shipping charges incurred by Seller due to Buyer’s changes in shipping, product specifications or in accordance with Section 13, herein.
4. **Warranty.** Seller warrants that the Products sold hereunder shall be free from defects in material or workmanship for a period of twelve months from the date of delivery to Buyer or 2,000 hours of normal use, whichever occurs first. This warranty is made only to Buyer and does not extend to anyone to whom Products are sold after purchased from Seller. The prices charged for Seller’s products are based upon the exclusive limited warranty stated above, and upon the following disclaimer: **DISCLAIMER OF WARRANTY: THIS WARRANTY COMPRISES THE SOLE AND ENTIRE WARRANTY PERTAINING TO PRODUCTS PROVIDED HEREUNDER. SELLER DISCLAIMS ALL OTHER WARRANTIES, EXPRESS AND IMPLIED, INCLUDING MERCHANTABILITY AND FITNESS FOR A PARTICULAR PURPOSE.**
5. **Claims; Commencement of Actions.** Buyer shall promptly inspect all Products upon delivery. No claims for shortages will be allowed unless reported to the Seller within 10 days of delivery. No other claims against Seller will be allowed unless asserted in writing within 60 days after delivery or, in the case of an alleged breach of warranty, within 30 days after the date within the warranty period on which the defect is or should have been discovered by Buyer. Any action based upon breach of this agreement or upon any other claim arising out of this sale (other than an action by Seller for any amount due to Seller from Buyer) must be commenced within thirteen months from the date of tender of delivery by Seller or, for a cause of action based upon an alleged breach of warranty, within thirteen months from the date within the warranty period on which the defect is or should have been discovered by Buyer.
6. **LIMITATION OF LIABILITY.** UPON NOTIFICATION, SELLER WILL, AT ITS OPTION, REPAIR OR REPLACE A DEFECTIVE PRODUCT, OR REFUND THE PURCHASE PRICE. **IN NO EVENT SHALL SELLER BE LIABLE TO BUYER FOR ANY SPECIAL, INDIRECT, INCIDENTAL OR CONSEQUENTIAL DAMAGES ARISING OUT OF, OR AS THE RESULT OF, THE SALE, DELIVERY, NON-DELIVERY, SERVICING, USE OR LOSS OF USE OF THE PRODUCTS OR ANY PART THEREOF, OR FOR ANY CHARGES OR EXPENSES OF ANY NATURE INCURRED WITHOUT SELLER’S WRITTEN CONSENT, EVEN IF SELLER HAS BEEN NEGLIGENT,**

**WHETHER IN CONTRACT, TORT OR OTHER LEGAL THEORY. IN NO EVENT SHALL SELLER’S LIABILITY UNDER ANY CLAIM MADE BY BUYER EXCEED THE PURCHASE PRICE OF THE PRODUCTS.**

7. **Contingencies.** Seller shall not be liable for any default or delay in performance if caused by circumstances beyond the reasonable control of Seller.
8. **User Responsibility.** The user, through its own analysis and testing, is solely responsible for making the final selection of the system and Product and assuring that all performance, endurance, maintenance, safety and warning requirements of the application are met. The user must analyze all aspects of the application and follow applicable industry standards and Product information. If Seller provides Product or system options, the user is responsible for determining that such data and specifications are suitable and sufficient for all applications and reasonably foreseeable uses of the Products or systems.
9. **Loss to Buyer’s Property.** Any designs, tools, patterns, materials, drawings, confidential information or equipment furnished by Buyer or any other items which become Buyer’s property, may be considered obsolete and may be destroyed by Seller after two consecutive years have elapsed without Buyer placing an order for the items which are manufactured using such property. Seller shall not be responsible for any loss or damage to such property while it is in Seller’s possession or control.
10. **Special Tooling.** A tooling charge may be imposed for any special tooling, including without limitation, dies, fixtures, molds and patterns, acquired to manufacture Products. Such special tooling shall be and remain Seller’s property notwithstanding payment of any charges by Buyer. In no event will Buyer acquire any interest in apparatus belonging to Seller which is utilized in the manufacture of the Products, even if such apparatus has been specially converted or adapted for such manufacture and notwithstanding any charges paid by Buyer. Unless otherwise agreed, Seller shall have the right to alter, discard or otherwise dispose of any special tooling or other property in its sole discretion at any time.
11. **Buyer’s Obligation; Rights of Seller.** To secure payment of all sums due or otherwise, Seller shall retain a security interest in the goods delivered and this agreement shall be deemed a Security Agreement under the Uniform Commercial Code. Buyer authorizes Seller as its attorney to execute and file on Buyer’s behalf all documents Seller deems necessary to perfect its security interest. Seller shall have a security interest in, and lien upon, any property of Buyer in Seller’s possession as security for the payment of any amounts owed to Seller by Buyer.
12. **Improper use and Indemnity.** Buyer shall indemnify, defend, and hold Seller harmless from any claim, liability, damages, lawsuits, and costs (including attorney fees), whether for personal injury, property damage, patent, trademark or copyright infringement or any other claim, brought by or incurred by Buyer, Buyer’s employees, or any other person, arising out of: (a) improper selection, improper application or other misuse of Products purchased by Buyer from Seller; (b) any act or omission, negligent or otherwise, of Buyer; (c) Seller’s use of patterns, plans, drawings, or specifications furnished by Buyer to manufacture Product; or (d) Buyer’s failure to comply with these terms and conditions. Seller shall not indemnify Buyer under any circumstance except as otherwise provided.
13. **Cancellations and Changes.** Orders shall not be subject to cancellation or change by Buyer for any reason, except with Seller’s written consent and upon terms that will indemnify, defend and hold Seller harmless against all direct, incidental and consequential loss or damage. Seller may change product features, specifications, designs and availability with notice to Buyer.
14. **Limitation on Assignment.** Buyer may not assign its rights or obligations under this agreement without the prior written consent of Seller.
15. **Entire Agreement.** This agreement contains the entire agreement between the Buyer and Seller and constitutes the final, complete and exclusive expression of the terms of the agreement. All prior or contemporaneous written or oral agreements or

negotiations with respect to the subject matter are herein merged.

16. **Waiver and Severability.** Failure to enforce any provision of this agreement will not waive that provision nor will any such failure prejudice Seller’s right to enforce that provision in the future. Invalidation of any provision of this agreement by legislation or other rule of law shall not invalidate any other provision herein. The remaining provisions of this agreement will remain in full force and effect.
17. **Termination.** This agreement may be terminated by Seller for any reason and at any time by giving Buyer thirty (30) days written notice of termination. In addition, Seller may by written notice immediately terminate this agreement for the following: (a) Buyer commits a breach of any provision of this agreement (b) the appointment of a trustee, receiver or custodian for all or any part of Buyer’s property (c) the filing of a petition for relief in bankruptcy of the other Party on its own behalf, or by a third party (d) an assignment for the benefit of creditors, or (e) the dissolution or liquidation of the Buyer.
18. **Governing Law.** This agreement and the sale and delivery of all Products hereunder shall be deemed to have taken place in and shall be governed and construed in accordance with the laws of the State of Ohio, as applicable to contracts executed and wholly performed therein and without regard to conflicts of laws principles. Buyer irrevocably agrees and consents to the exclusive jurisdiction and venue of the courts of Cuyahoga County, Ohio with respect to any dispute, controversy or claim arising out of or relating to this agreement. Disputes between the parties shall not be settled by arbitration unless, after a dispute has arisen, both parties expressly agree in writing to arbitrate the dispute.
19. **Indemnity for Infringement of Intellectual Property Rights.** Seller shall have no liability for infringement of any patents, trademarks, copyrights, trade dress, trade secrets or similar rights except as provided in this Section. Seller will defend and indemnify Buyer against allegations of infringement of U.S. patents, U.S. trademarks, copyrights, trade dress and trade secrets (“Intellectual Property Rights”). Seller will defend at its expense and will pay the cost of any settlement or damages awarded in an action brought against Buyer based on an allegation that a Product sold pursuant to this Agreement infringes the Intellectual Property Rights of a third party. Seller’s obligation to defend and indemnify Buyer is contingent on Buyer notifying Seller within ten (10) days after Buyer becomes aware of such allegations of infringement, and Seller having sole control over the defense of any allegations or actions including all negotiations for settlement or compromise. If a Product is subject to a claim that it infringes the Intellectual Property Rights of a third party, Seller may, at its sole expense and option, procure for Buyer the right to continue using the Product, replace or modify the Product so as to make it noninfringing, or offer to accept return of the Product and return the purchase price less a reasonable allowance for depreciation. Notwithstanding the foregoing, Seller shall have no liability for claims of infringement based on information provided by Buyer, or directed to Products delivered hereunder for which the designs are specified in whole or part by Buyer, or infringements resulting from the modification, combination or use in a system of any Product sold hereunder. The foregoing provisions of this Section shall constitute Seller’s sole and exclusive liability and Buyer’s sole and exclusive remedy for infringement of Intellectual Property Rights.
20. **Taxes.** Unless otherwise indicated, all prices and charges are exclusive of excise, sales, use, property, occupational or like taxes which may be imposed by any taxing authority upon the manufacture, sale or delivery of Products.
21. **Equal Opportunity Clause.** For the performance of government contracts and where dollar value of the Products exceed \$10,000, the equal employment opportunity clauses in Executive Order 11246, VEVRAA, and 41 C.F.R. §§ 60-1.4(a), 60-741.5(a), and 60-250.4, are hereby incorporated.



Parker Hannifin Corporation  
**Sporlan Division**  
206 Lange Drive, Washington, MO 63090 USA  
phone 636 239 1111  
sporlan.com