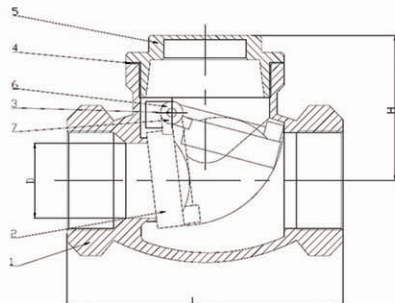


## Stainless Steel Swing Check Valve, BSPT

Model: SSW-S04, SSW-S16



### Specification Standards :

- Threaded end according to BSPT standard

### Features :

- Investment casting body
- Test and inspection EN1266, MSS SP-110
- Available upon special request

### Application :

- For general and industrial services
- Applicable medium : water, oil

### Materials :

No.	Parts	Material
1	Disc	CF8M / CF8
2	Body	CF8M / CF8
3	Pin	SS316 / 304
4	Seat	PTFE
5	Cap	CF8M / CF8
6	Washer	SS201
7	Bolt	SS201

### Test Requirements

Working Pressure	150 PSI ( 10 Bar )
Maximum Pressure	200 PSI ( 14 Bar )
Shell Test Pressure	300 PSI ( 21 Bar )
Applicable Temperature	≤ 150 °C

### Dimensions

mm

Size	1/2"	3/4"	1"	1-1/4"	1-1/2"	2"
C	35	39.5	45	53.5	62	74
DN	15	20	25	32	40	50
H	41.5	45	49	53.5	58.5	67
L	62	78	84.5	101	115	135