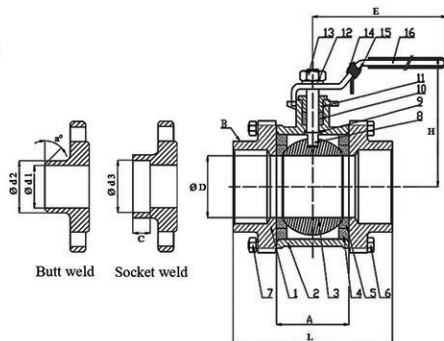


Stainless Steel 3PC Ball Valve, BSPT

Model : SBA-S304, SBA-S316



Specification Standards :

- Pipe threaded in accordance : BSPT, Butt Weld

Features :

- Investment casting body
- Full Port, 3 Piece body design
- Locking device
- Lever handle operation
- Test and inspection EN12266 , MSS SP-110
- Available upon special request

Application :

- For general and industrial services
- Applicable medium : water , oil & gas

Dimensions for Butt weld and Socket weld mm

Size	1/2"	3/4"	1"	1-1/4"	1-1/2"	2"
a°	37.5	37.5	37.5	37.5	37.5	37.5
C	10	13	13	16	16	17
φd1	15	20	25	32	38	49
φd2	22	26	34	42	47	59
φd3	21.8	27.5	34	42.7	48.9	61.5

Materials :

NO.	Description	Material
1.	Cap	CF8M/CF8
2.	Body	CF8M/CF8
3.	Ball	CF8M/CF8
4.	Seat	PTFE / RPTFE
5.	Seat	PTFE / RPTFE
6.	Bolt	SS201
7.	Nut	SS201
8.	Stem	SS316/304
9.	Washer	PTFE
10.	Stem packing	PTFE
11.	Packing gland	SS201
12.	Nut	SS201
13.	Spring washer	SS201
14.	Pin	Plastic
15.	Locking device	SS201
16.	Handle	SS201

Dimensions

mm

Size	1/2"	3/4"	1"	1-1/4"	1-1/2"	2"	2-1/2"	3"	4"
A	27	34	38	41	53	67	87	101	124
B	22	32.5	39	48.5	54.5	87	92	99	121
E	98	106	114	133	168	169	221	245	320
H	56	61	75	87	94	109	134	147	180
L	69	79	88	101	110	131	167	192	242
φD	15	20	25	32	38	49	65	78	98