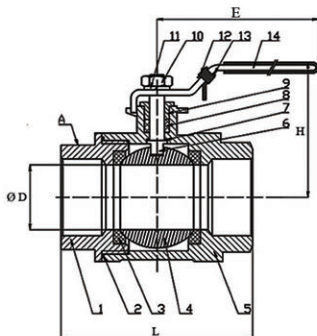


## Stainless Steel 2PC Ball Valve, BSPT

Model : SBA-S204, SBA-S216



### Specification Standards :

- Threaded end according to BSPT standard

### Features :

- Investment casting body
- Full Port, 2 piece body design
- Locking device
- Lever handle operation
- Adjustable stem packing
- Test and inspection EN12266 , MSS SP-110
- Available upon special request

### Application :

- For general and industrial services
- Applicable medium : water , oil & gas

### Materials :

No.	Description	Material
1	Cap	CF8M
2	Body gasket	CF8M/CF8
3	Seat	PTFE / RPTFE
4	Ball	CF8M/CF8
5	Body	CF8M/CF8
6	Stem	SS316/304
7	Washer	PTFE
8	Stem packing	PTFE
9	Packing gland	SS201
10	Nut	SS201
11	Spring washer	SS201
12	Pin	Plastic
13	Locking device	SS201
14	Handle	SS201

### Test Requirements

Maximum Pressure	600 PSI ( 40 Bar )
Shell Test Pressure	900 PSI ( 60 Bar )
Applicable Temperature	-10 ~ 150 °C

### Dimensions

mm

Size	1/2"	3/4"	1"	1-1/4"	1-1/2"	2"	2-1/2"	3"	4"
A	21	31	38.5	48	53.5	67	82	97	124
L	54	61	73	77	94	103	140	166	207
H	50	57	63	76	92	102	140	142	169
E	92	97	118	124	144	154	221	245	320
ΦD	15	20	25	32	40	50	65	80	100