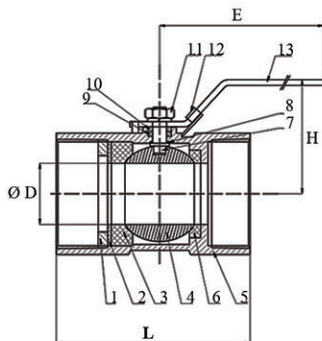


Stainless Steel 1PC Ball Valve, BSPT

Model : SBA-S104, SBA-S116



Specification Standards :

- Threaded end according to BSPT standard

Features :

- Investment casting body
- Reduce Port, 1 piece body design
- Lever handle operation
- Test and inspection EN12266 , MSS SP-110
- Available upon special request

Application :

- For general and industrial services
- Applicable medium : water , oil & gas

Materials :

No.	Description	Material
1	Bonnet	SS304
2	Washer	SS304
3	Seat	PTFE / RPTFE
4	Ball	SS316/304
5	Body	CF8M/CF8
6	Seat	PTFE
7	Stem	SS316/304
8	O-ring	PTFE
9	Stem packing	PTFE
10	Packing gland	SS304
11	Nut	SS201
12	Locking device	SS201
13	Handle	SS201

Test Requirements

Maximum Pressure	600 PSI (40 Bar)
Shell Test Pressure	900 PSI (60 Bar)
Applicable Temperature	-10 ~ 150 °C

Dimensions

mm

Size	1/4"	3/8"	1/2"	3/4"	1"	1-1/4"	1-1/2"	2"	2-1/2"	3"
ØD	5	7	9	12.5	15	20	25	32	38	48
L	40	45	52	57	67	80	80	92	119	141
H	33	33	39	43	52	61	63	63	92	97
E	74	77	89	91	110	120	121	140	172	174