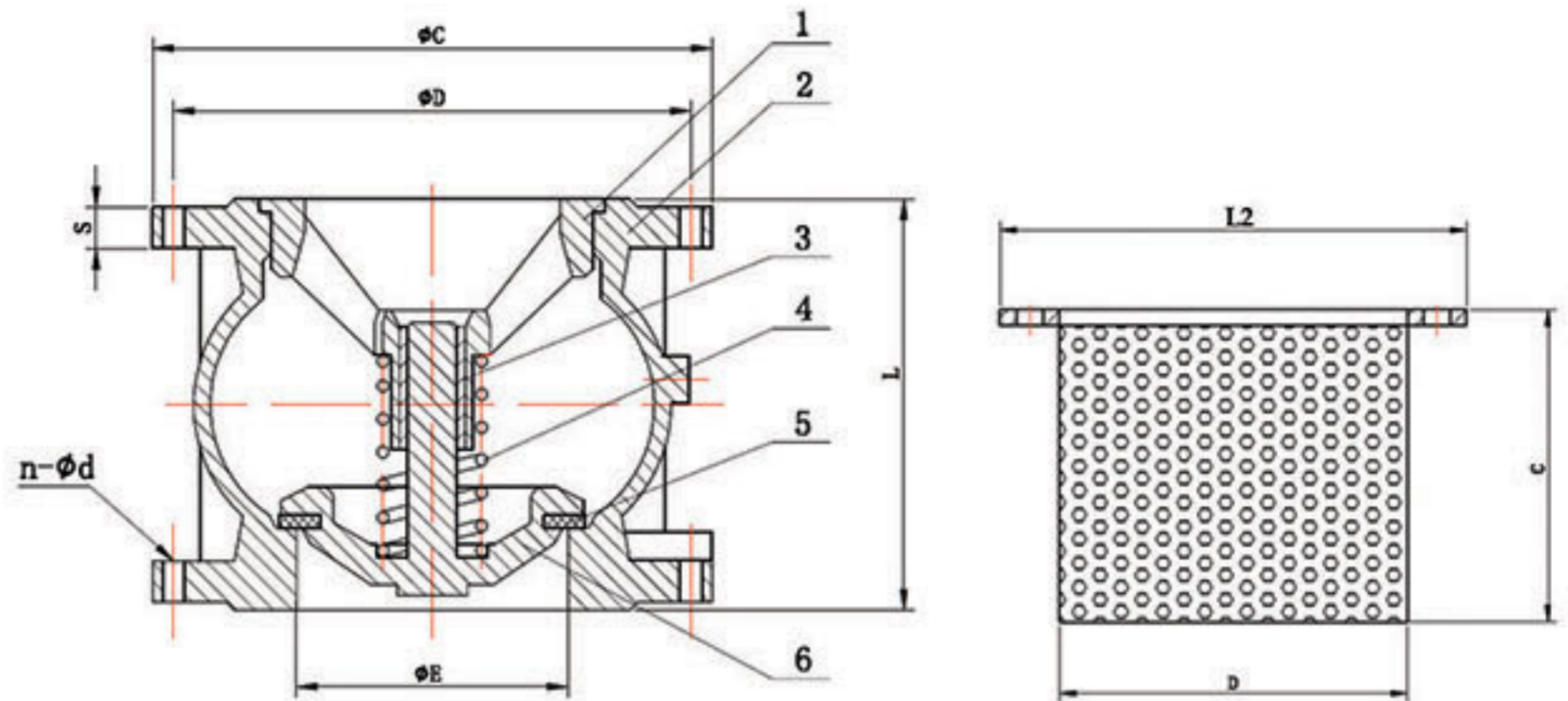


## Cast Iron Foot Valve, JIS 10K

Model : IFT-F1



### Specification Standards :

- Flange drilled is according to JIS B2212

### Features :

- Flanged end connection
- Stainless steel sleeve
- Synthetic seating ring
- Full port area
- Silent operation - short linear stroke

### Application :

- For general and industrial services
- Applicable medium : water

### Materials :

No.	Parts	Material
1	Guide	GGG40
2	Body	GG25 GGG40
3	Guiding stem	F4
4	Spring	SS316
5	Seal	NBR / EPDM
6	Disc	GGG40

### Test Requirements

Working Pressure	150 PSI ( 10 Bar )
Maximum Pressure	200 PSI ( 14 Bar )
Shell Test Pressure	300 PSI ( 21 Bar )
Applicable Temperature	< 80 °C

### Dimensions

mm

Size	2"	2-1/2"	3"	4"	5"	6"	8"	10"
ØC	165	185	200	220	250	285	340	405
ØD	120	140	150	175	210	240	290	355
ØE	50	65	80	101	127	145	194	245
L	100	120	140	170	200	230	301	370
n - Ød	4-19	4-19	8-19	8-19	8-23	8-23	12-23	12-26
S	17	17	19	21	23	23	27	29