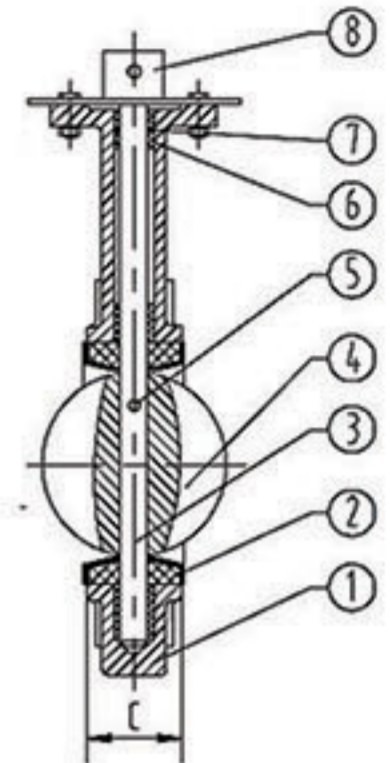
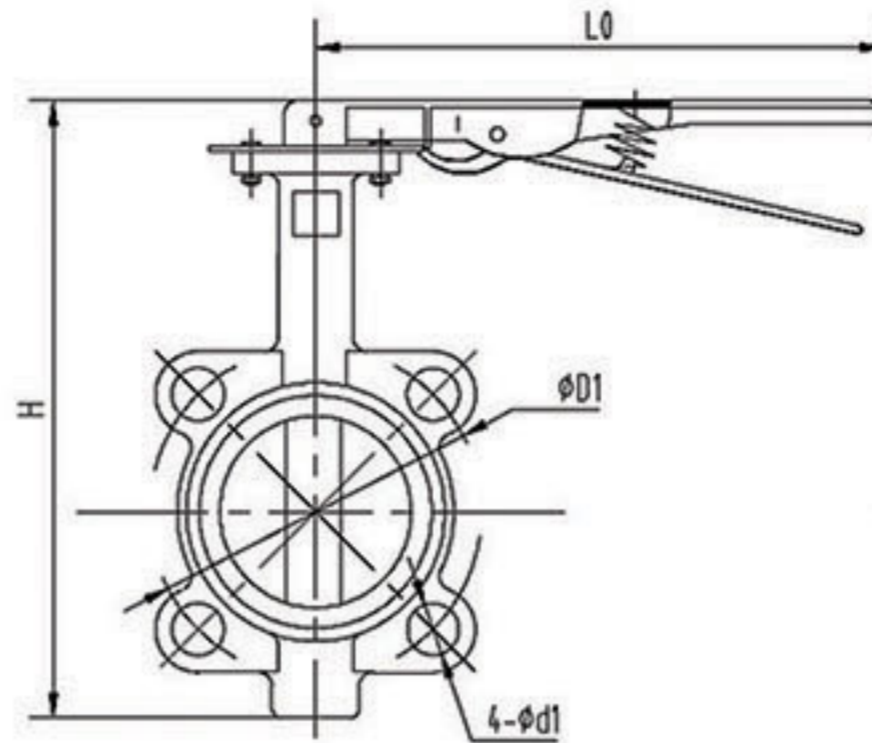


Cast Iron Wafer Type Butterfly Valve, Universal, Lever Operator

Model : IBF-E04L, IBF-N04L, IBF-V04L, IBF-T04L IBF-E16L, IBF-N16L, IBF-V16L, IBF-T16L



Specification Standards :

- Designed as standard : BS5155, DIN3202, ISO5752
- Flange as standard : DIN, BS, UNI, ISO, ANSI, JIS
- Top mounting flange as standard : ISO5211

Features :

- Wafer type Connections
- Lever operator
- Concentric design

Test Requirements	
Working Pressure	150 PSI (10 Bar)
Maximum Pressure	200 PSI (14 Bar)
Shell Test Pressure	300 PSI (21 Bar)
Applicable Temperature	< 120 °C

Materials :

No.	Parts	Material
1	Body	Cast iron / Ductile iron
2	Seat	EPDM / NBR / VITON / PTFE
3	Shaft	SS416 / SS410 / SS304 / SS316
4	Disc	CF8 / CF8M / DI
5	Pin	SS304
6	Bushing	PTFE
7	O - ring	NBR
8	Lever	Cast iron / Aluminium

Application :

- For general and industrial services
- Applicable medium : water, light oil

Dimensions

mm

Size	C	H	LO	DIN PN 10 / 16		ANSI 150		JIS 10K	
				D1	n-Ød1	D1	n-Ød1	D1	n-Ød1
1-1/2"	33	245	223	110	4-18	98.5	4-16	105	4-19
2"	42	265	223	125	4-18	120.5	4-19	120	4-19
2-1/2"	44.7	285	223	145	4-18	139.5	4-19	140	4-19
3"	45.2	300	223	160	4(4/8)-18	152.5	4-19	150	4(8)-19
4"	51.2	339	252	180	4(8)-18	190.5	4(8)-19	175	4(8)-19
5"	54.4	364	254	210	4(8)-18	216	4(8)-22	210	4(8)-23
6"	55.8	394	254	240	4(8)-23	241.5	4(8)-22	240	4(8)-23
8"	60.6	470	356	295	4(8/12)-23	298.5	4(8)-22	290	4(12)-23
10"	65.6	536	500	350 / 355	4(12)-23/27	362	4(12)-25	355	4(12)-25
12"	76.9	610	500	400 / 410	4(12)-23/27	432	4(12)-25	400	4(16)-25