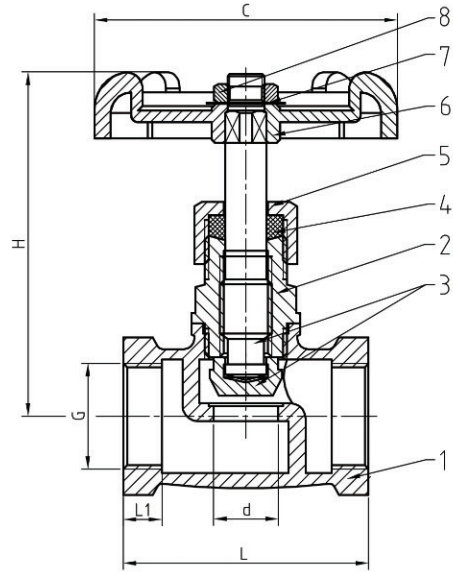


Brass Globe Valve, BSPT, Class 200

Model :



Specification Standards :

- Designed as Pressure - Temperature Rating : ARITA Standard.
- Pipe Threaded ends in accordance with BSPT.
- Face to Face dimensions : ARITA Standard.
- Wall thickness : ARITA Standard.

Features :

- Screwed end BSPT Connections
- Forged Brass
- Inside Screwed Bonnet
- Screwed Bonnet
- Rising Stem
- Swivel disc
- Integral Seat
- Hand - Wheel Operation
- Adjustable Stem Packing

Materials :

No.	Parts	Material
1	Body	Forged Brass
2	Bonnet	Forged Brass
3	Stem	Forged Brass
4	Lock Nut	PTFE
5	Stem parking	Forged Brass
6	Hand Wheel	Aluminum
7	Name plate	Aluminum
8	Wheel Nut	Steel

Application

Nominal Pressure	PN16 Water Test
Shell Test Pressure	PN24 Water Test
Seat Test Pressure	PN16 Water Test
Applicable Temperature	-20 -120 °C
Applicable Media	Water , Oil , Gas

Dimensions

SIZE (G)	DN	L	L1	d	H	C	mm
3/8"	10	42	7	10	67	55	
1/2"	15	47	7.5	12	73	55	
3/4"	20	52.5	8	13	80	60	
1"	25	62	10	20	94	70	
1-1/4"	32	72.5	13	24	102	70	
1-1/2"	40	80	13	32	114	90	
2"	50	93	14	37	123	100	