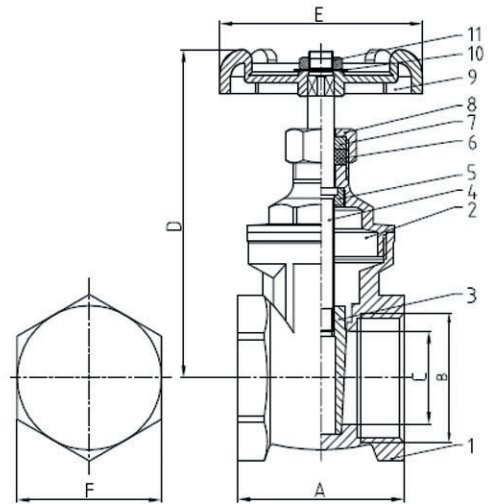


## Brass Gate Valve, BSPT, Class 200 PSI

Model : BGA-ASW



### Specification Standards :

- Pipe thread end is according : ISO 228 ( DIN 259 )  
BS 21 ( JIS B0203 )

### Features :

- Screwed end BSPT/PP connection
- Forged brass
- Non - rising stem, inside wedge disc
- Hand - wheel operation

### Application :

- For general and industrial services
- Applicable medium : water, light oil, & non-corrosive and non-combustible gas

### Materials :

No.	Parts	Material
1	Body	Brass (HPB57-3)
2	Bonnet	Brass (HPB57-3)
3	Disc	Brass (HPB57-3)
4	Lock nut	Brass (HPB57-3)
5	Stem	Brass (HPB57-3)
6	Stem packing	Brass (HPB57-3)
7	Gland	PTFE
8	Packing nut	Brass (HPB57-3)
9	Handwheel	Q235A
10	Name plate	Aluminium
11	Wheel nut	Steel

### Test Requirements

Working pressure	200 PSI ( 14 Bar )
Maximum pressure	230 PSI ( 16 Bar )
Shell test pressure	300 PSI ( 20 Bar )
Applicable temperature	< 120 °C

### Dimensions

mm

Size	1/2"	3/4"	1"	1-1/4"	1-1/2"	2"	2-1/2"	3"	4"
A	41	44	51	59	63	67	88	100	113
C	13	19	25	31	36	46	61	76	92
D	72	85	97	116	124	152	212	237	281
DN	15	20	25	32	40	50	65	80	100
E	53	55	60	75	75	80	110	110	145