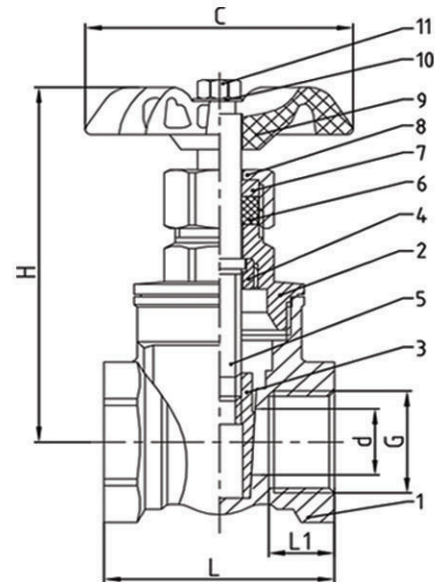


Brass Gate Valve, BSPT, Class 200 PSI

Model : BGA-AKZ



Specification Standards :

- Pipe thread end is according : ISO 228 (DIN 259)
BS 21 (JIS B0203)

Features :

- Screwed end BSPT/PP connection
- Forged brass
- Non - rising stem, inside wedge disc
- Hand - wheel operation

Application :

- For general and industrial services
- Applicable medium : water, light oil, & non-corrosive and non-combustible gas

Materials :

No.	Parts	Material
1	Body	Brass (HPB57-3)
2	Bonnet	Brass (HPB57-3)
3	Disc	Brass (HPB57-3)
4	Lock nut	Brass (HPB57-3)
5	Stem	Brass (HPB57-3)
6	Stem packing	Brass (HPB57-3)
7	Gland	PTFE
8	Packing nut	Brass (HPB57-3)
9	Handwheel	Aluminium
10	Name plate	Aluminium
11	Wheel nut	Steel

Test Requirements

Working Pressure	150 PSI (10 Bar)
Maximum Pressure	200 PSI (14 Bar)
Shell Test Pressure	300 PSI (21 Bar)
Applicable Temperature	< 120 °C

Dimensions

mm

Size	1/2"	3/4"	1"	1-1/4"	1-1/2"	2"	2-1/2"	3"	4"
L	42	46.5	50	59.5	63	71	81.5	92	114
L1	12	13.5	13.5	15.5	16	19	22	24	29
d	13	19.5	25	31.5	37	49	55	66	84
H	71	71	93	111	121	153	186	200	236
C	50	55	60	70	80	90	100	115	115